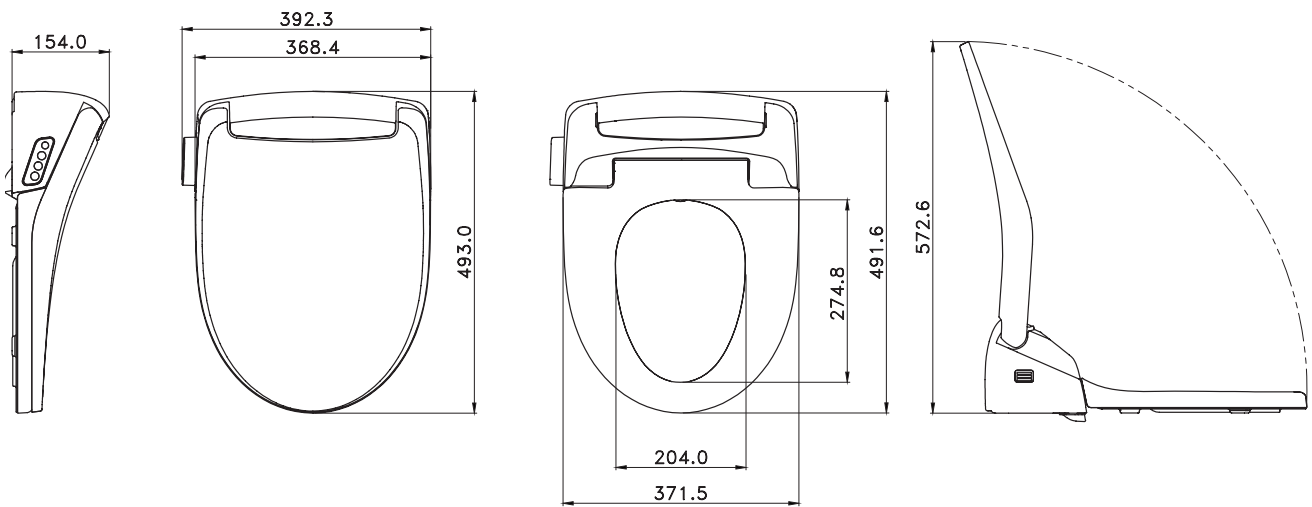




REIKA

ART.: 10257674
10257680(CH)

- DE DUSCH-WC
- EN SHOWER TOILET
- FR WC-DOUCHE
- IT WASHLET
- NL DOUCHETOILET
- SE DUSCH-TOALETTEN
- CZ WC PRKENKA
- SK SPRCHOVACIE WC
- RO BIDEUL ELECTRIC
- PL PRYSZNIC-TOALETA

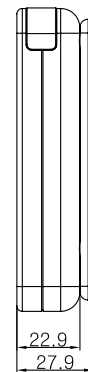
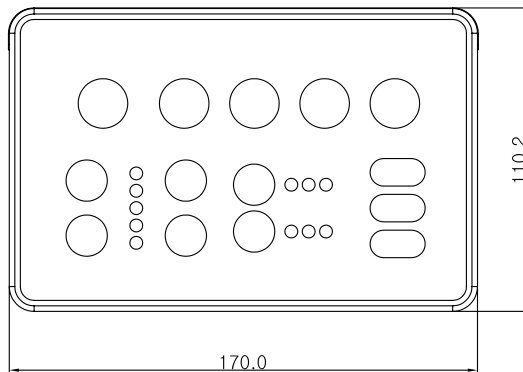
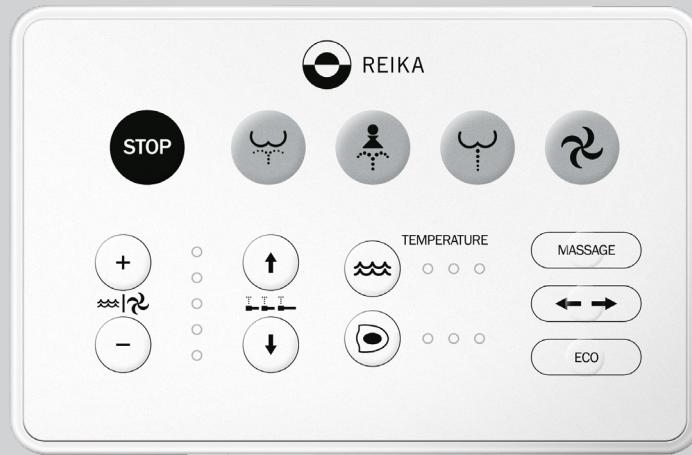




REIKA

ART.: 10257674
10257680(CH)

- DE DUSCH-WC
- EN SHOWER TOILET
- FR WC-DOUCHE
- IT WASHLET
- NL DOUCHETOILET
- SE DUSCH-TOALETTER
- CZ WC PRKENKA
- SK SPRCHOVACIE WC
- RO BIDEUL ELECTRIC
- PL PRYSZNIC-TOALETA





REIKA

- DE DUSCH-WC
- EN SHOWER TOILET
- FR WC-DOUCHE
- IT WASHLET
- NL DOUCHETOILET
- SE DUSCH-TOALETTEN
- CZ WC PRKENKA
- SK SPRCHOVACIE WC
- RO BIDEUL ELECTRIC
- PL PRYSZNIC-TOALETA

ART.: 10257674
10257680(CH)

| REIKA | | Ceranit | | |
|----------------------|-------------|-------------|-----------------------------|-----------------------------|
| Art# | Model | Size (mm) | Installable: Yes (0) No (X) | Ref |
| 10257674 10257680 | Basic Plus | 365*435*760 | X | |
| 10257674 10257680 | City Oval | 360*505*370 | X | |
| 10257674 10257680 | City Square | 365*510* | X | Square shape |
| 10257674 10257680 | Crea | 355*520*380 | X | Side of seat is 14mm bigger |
| 10257674 10257680 | Larga | 360*520*345 | 0 | Side of seat is 9mm bigger |
| 10257674 10257680 | Moduo | 340*485*785 | X | |
| 10257674 10257680 | Roma | 355*535*405 | X | Side of seat is 14mm bigger |
| 10257674 10257680 | Virgo | 360*430*370 | X | |
| 10257674 10257680 | Wand-Tiefsp | 360*420*375 | X | |

| REIKA | | Duravit | | |
|----------------------|-------------------|-------------|-----------------------------|-----------------------------|
| Art# | Model | Size (mm) | Installable: Yes (0) No (X) | Ref |
| 10257674 10257680 | Durastyle Rimless | 365*540* | 0 | Side of seat is 7mm bigger |
| 10257674 10257680 | D-code | 355*545* | X | |
| 10257674 10257680 | D-code Kurz | 350*480* | X | |
| 10257674 10257680 | Sudan | 360*465 | X | |
| 10257674 10257680 | Starck 3 | 360*540* | X | Side of seat is 12mm bigger |
| 10257674 10257680 | Happy D2 | 355*540*320 | X | Side of seat is 17mm bigger |



REIKA

- DE DUSCH-WC
- EN SHOWER TOILET
- FR WC-DOUCHE
- IT WASHLET
- NL DOUCHETOILET
- SE DUSCH-TOALETTEN
- CZ WC PRKENKA
- SK SPRCHOVACIE WC
- RO BIDEUL ELECTRIC
- PL PRYSZNIC-TOALETA

ART.: 10257674
10257680(CH)

| REIKA | Ceranit | | | |
|----------------------|----------------------------|-------------|-----------------------------|-----------------------------|
| Art# | Model | Size (mm) | Installable: Yes (0) No (X) | Ref |
| 10257674 10257680 | Acanto ohne | 350*510*425 | X | Side of seat is 22mm bigger |
| 10257674 10257680 | iCon geschlossene | 355*530*330 | X | Side of seat is 17mm bigger |
| 10257674 10257680 | iCon XS | 350*490*410 | X | Side of seat is 17mm bigger |
| 10257674 10257680 | iCon_mit_SP | 350*490*330 | X | Side of seat is 17mm bigger |
| 10257674 10257680 | iCon ohne SP | 275*530* | X | |
| 10257674 10257680 | iCon ohne Spr | 355*635*400 | X | Side of seat is 17mm bigger |
| 10257674 10257680 | Renova comfort | 355*700*340 | X | Side of seat is 17mm bigger |
| 10257674 10257680 | Renova comprimo | 355*485*340 | X | Square shape |
| 10257674 10257680 | Renova Stand | 355*490* | X | Side of seat is 17mm bigger |
| 10257674 10257680 | Renova comfort ohne sp | 355*700*340 | X | Side of seat is 17mm bigger |
| 10257674 10257680 | Renova comfort ohne sp ges | 355*530*370 | X | Side of seat is 17mm bigger |
| 10257674 10257680 | Renova comfort Square mit | 390*700*360 | X | Square shape |
| 10257674 10257680 | Renova comfort Square ohne | 390*700*360 | X | Square shape |
| 10257674 10257680 | Renova comprimo mit | 350*480*340 | X | Length is 13mm longer |
| 10257674 10257680 | Renova Plan mit | 360*540*340 | X | Square shape |
| 10257674 10257680 | Renova Plan ohne | 350*540* | X | Side of seat is 22mm bigger |
| 10257674 10257680 | Renova Plus4 | 340*535*420 | X | |
| 10257674 10257680 | Renova Stand mit | 355*475*410 | X | Side of seat is 17mm bigger |
| 10257674 10257680 | Renova Stand ohne Sp | 355*490* | X | Side of seat is 17mm bigger |
| 10257674 10257680 | Renova Stand ohne SP2 | 352*490*400 | X | Side of seat is 20mm bigger |
| 10257674 10257680 | Renova Wand ohne Spr | 355*540*340 | X | Side of seat is 17mm bigger |
| 10257674 10257680 | Vitalis mit | 355*700*460 | X | Side of seat is 17mm bigger |



REIKA

- DE DUSCH-WC
- EN SHOWER TOILET
- FR WC-DOUCHE
- IT WASHLET
- NL DOUCHETOILET
- SE DUSCH-TOALETTEN
- CZ WC PRKENKA
- SK SPRCHOVACIE WC
- RO BIDEUL ELECTRIC
- PL PRYSZNIC-TOALETA

ART.: 10257674
10257680(CH)

| REIKA | Grohe,Laufen,Vitra | | | |
|----------------------|--------------------|-------------|-----------------------------|-----------------------------|
| Art# | Model | Size (mm) | Installable: Yes (0) No (X) | Ref |
| 10257674 10257680 | Grohe Bau | 368*531*410 | 0 | Side of seat is 4mm bigger |
| 10257674 10257680 | Grohe Euro | 374*540*445 | 0 | |
| 10257674 10257680 | Laufen LUA | 360*520*430 | X | Side of seat is 12mm bigger |
| 10257674 10257680 | Laufen PRO | 360*490*430 | X | Side of seat is 12mm bigger |
| 10257674 10257680 | Laufen Val | 390*530*430 | 0 | |
| 10257674 10257680 | Vitra Norm mit | 355*525*400 | X | Side of seat is 17mm bigger |

| REIKA | Ideal Standard | | | |
|----------------------|------------------|-------------|-----------------------------|-----------------------------|
| Art# | Model | Size (mm) | Installable: Yes (0) No (X) | Ref |
| 10257674 10257680 | Connect | 360*540*355 | 0 | Side of seat is 9mm bigger |
| 10257674 10257680 | Connect Air | 360*540*355 | X | hole space is too small |
| 10257674 10257680 | Connect ohne | 360*540*400 | 0 | Side of seat is 9mm bigger |
| 10257674 10257680 | Eurovit | 355*430*355 | X | |
| 10257674 10257680 | Eurovit ohne | 355*430*400 | X | |
| 10257674 10257680 | i.life A-T467001 | 365*545*400 | 0 | Side of seat is 7mm bigger |
| 10257674 10257680 | i.life S | 355*480*350 | X | |
| 10257674 10257680 | Strada II | 360*540*355 | X | Square shape |
| 10257674 10257680 | Exacto | 360*485*385 | X | |
| 10257674 10257680 | i.life A-T467101 | 360*545*355 | X | Square shape |
| 10257674 10257680 | i.life A-T452201 | 360*540*400 | X | Side of seat is 12mm bigger |



REIKA

- DE DUSCH-WC
- EN SHOWER TOILET
- FR WC-DOUCHE
- IT WASHLET
- NL DOUCHETOILET
- SE DUSCH-TOALETTEN
- CZ WC PRKENKA
- SK SPRCHOVACIE WC
- RO BIDEUL ELECTRIC
- PL PRYSZNIC-TOALETA

ART.: 10257674
10257680(CH)

| REIKA | Jungborn | | | |
|----------------------|-------------|-------------|-----------------------------|--------------|
| Art# | Model | Size (mm) | Installable: Yes (0) No (X) | Ref |
| 10257674 10257680 | One | 480*365* | X | |
| 10257674 10257680 | One 53 | 363*532*291 | X | |
| 10257674 10257680 | Three 52 | 360*520*290 | X | Square shape |
| 10257674 10257680 | Three 64 | 380*540*835 | X | Square shape |
| 10257674 10257680 | Two-Mandara | 373*520*400 | 0 | |
| 10257674 10257680 | Floriel | 380*445*835 | X | |
| 10257674 10257680 | Four 51 | 365*510*355 | X | |
| 10257674 10257680 | Four 51H | 365*510*405 | X | |
| 10257674 10257680 | Mandara | 373*520*400 | 0 | |