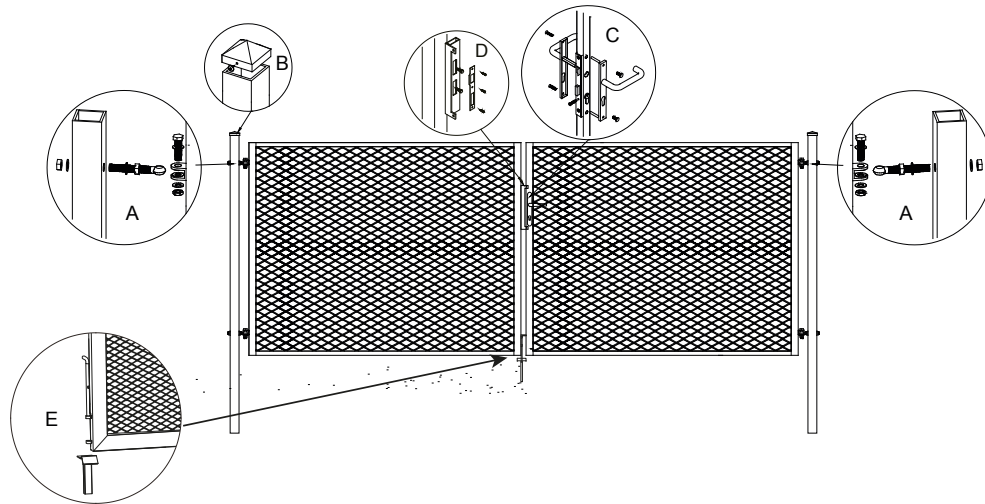


045307

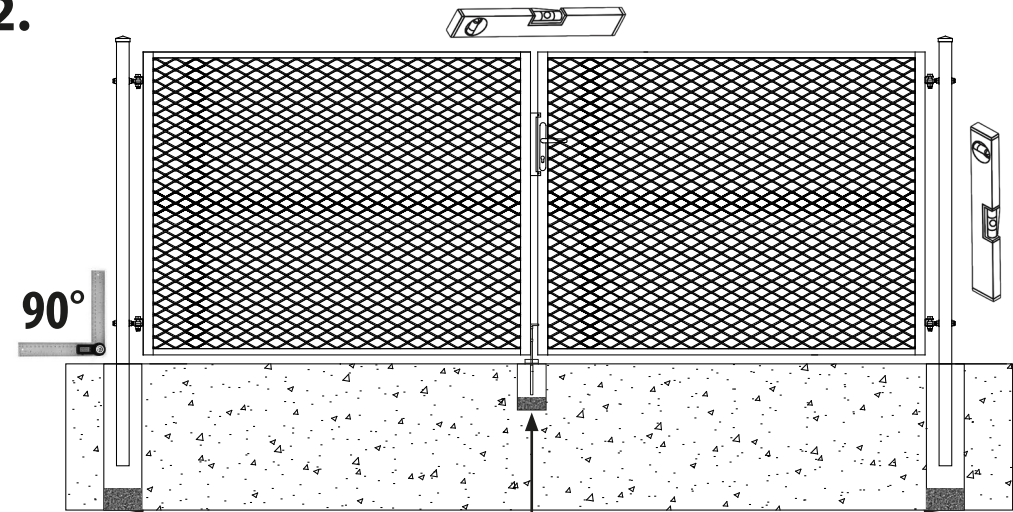


1.



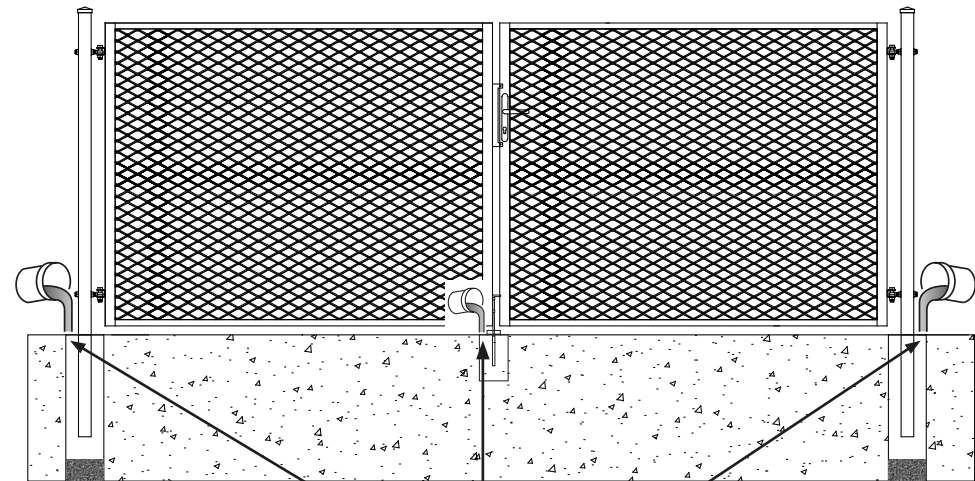
A		B		C			D		E		
	x4		x2		x2		x1		x2		x1
	x4		x2		x2		x1		x3		x1
	x24		x2		x1		x3		x1		x1
	x12		x2		x1		x1		x1		x1

2.



DE Kies  
HU kavics  
SL gramoz  
CZ šterk  
SK štrk  
FR Gravier  
IT Ghiaia  
RO Pietriș  
PL Żwir  
RS Шљунак

3.



DE Beton  
HU beton  
SL beton  
CZ beton  
SK betón  
FR Béton  
IT Calcestruzzo  
RO Beton  
PL Beton  
RS Бетон