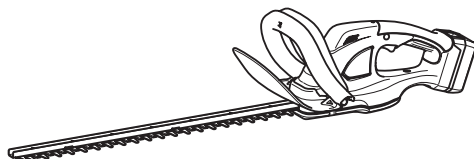




EN	Cordless Hedge Trimmer	INSTRUCTION MANUAL	6
UK	Акумуляторна пила для підрізання живоплоту	ІНСТРУКЦІЯ З ЕКСПЛУАТАЦІЇ	12
PL	Akumulatorowe nożyce do żywopłotu	INSTRUKCJA OBSŁUGI	19
RO	Mașină de tuns gardul viu fără cablu	MANUAL DE INSTRUCȚIUNI	26
DE	Akku-Heckenschere	BEDIENUNGSANLEITUNG	33
HU	Vezeték nélküli sövényvágó	HASZNÁLATI KÉZIKÖNYV	40
SK	Akumulátorové nožnice na živé ploty	NÁVOD NA OBSLUHU	47
CS	Akumulátorové nůžky na živé ploty	NÁVOD K OBSLUZE	53

**DUH481**  
**DUH483**  
**DUH521**  
**DUH523**



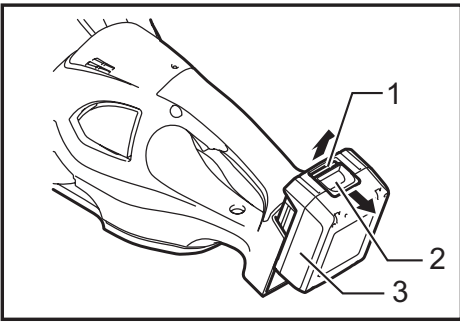


Fig.1

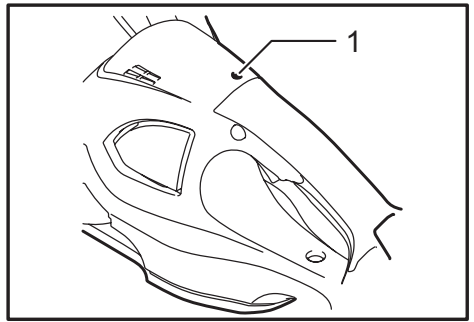


Fig.5

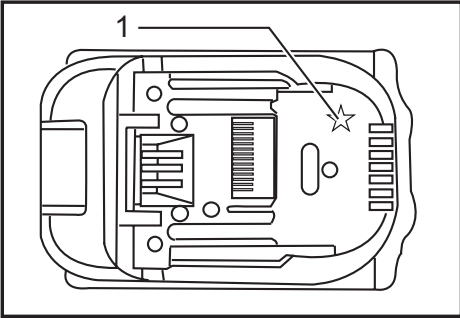


Fig.2

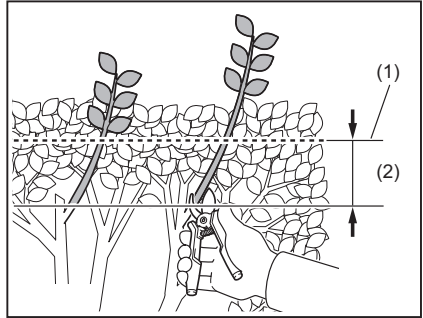


Fig.6

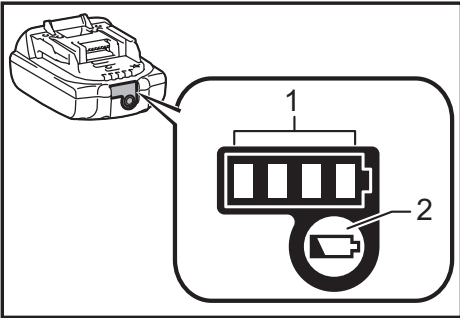


Fig.3

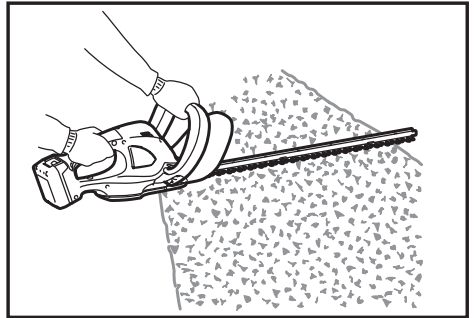


Fig.7

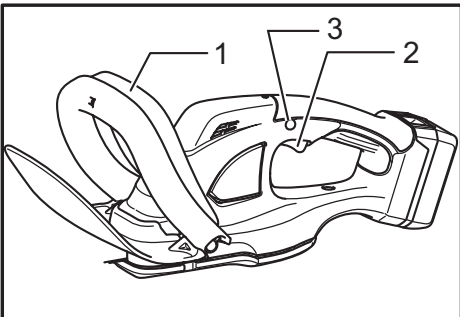


Fig.4

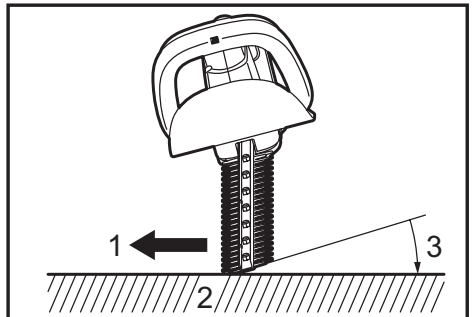


Fig.8

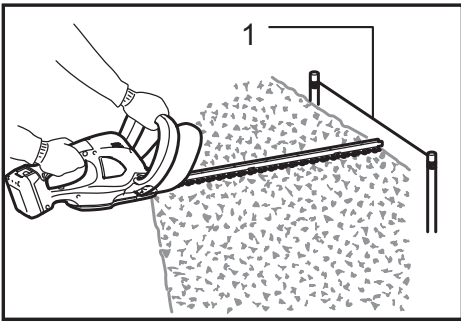


Fig.9

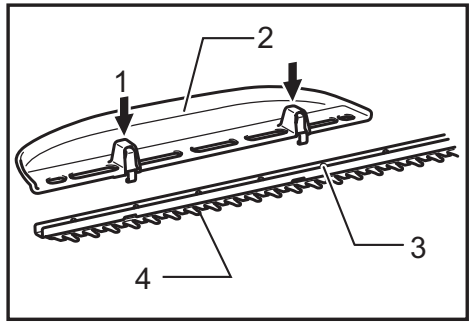


Fig.13

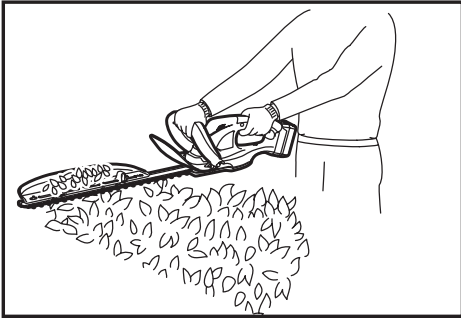


Fig.10

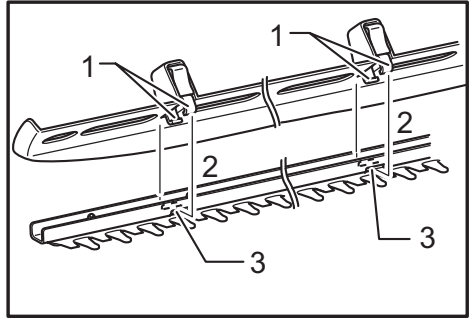


Fig.14

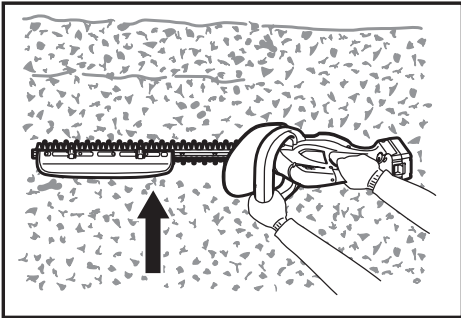


Fig.11

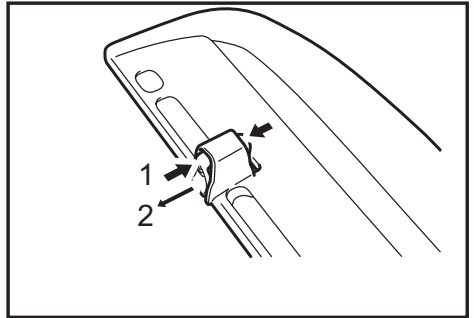


Fig.15

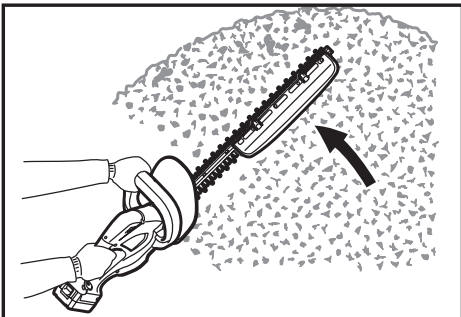


Fig.12

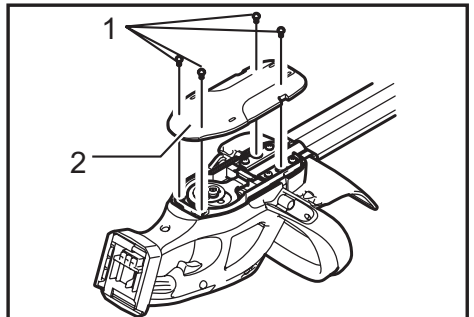


Fig.16

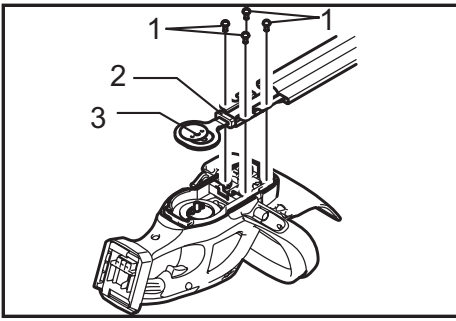


Fig.17

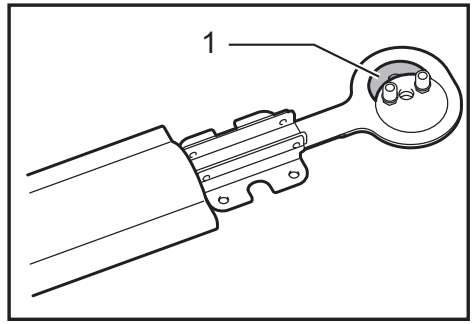


Fig.21

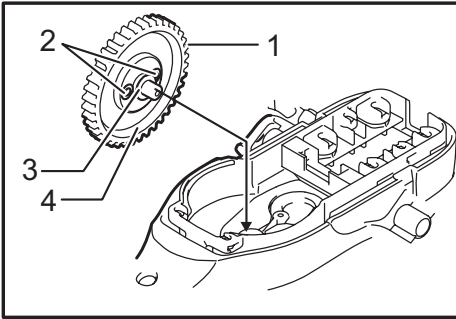


Fig.18

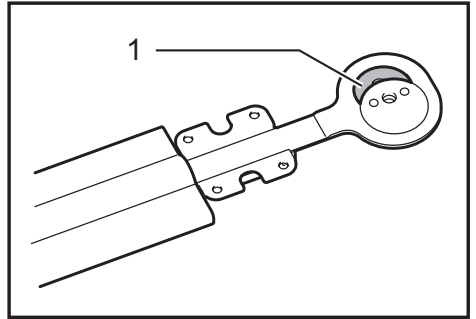


Fig.22

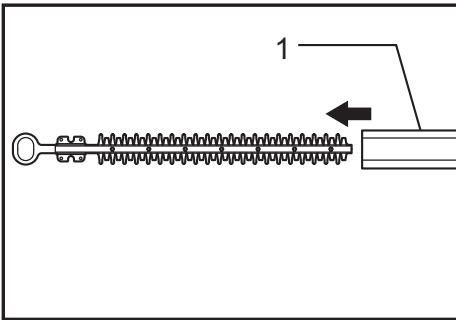


Fig.19

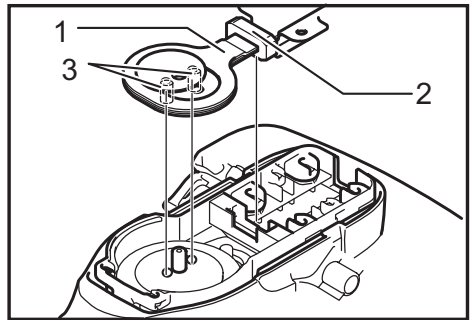


Fig.23

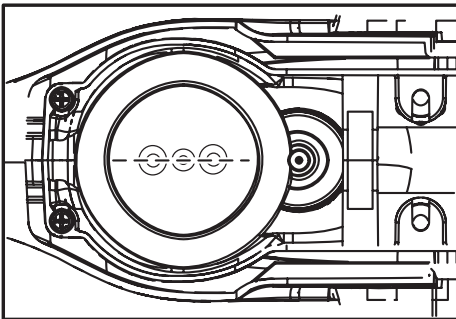


Fig.20

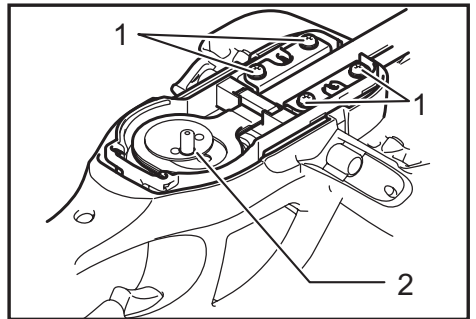


Fig.24

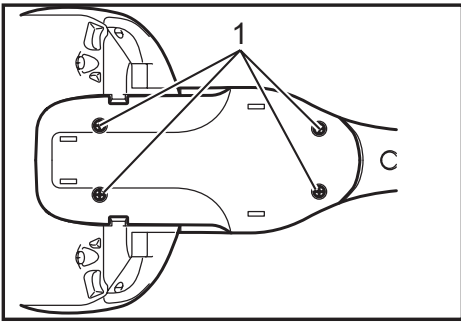


Fig.25

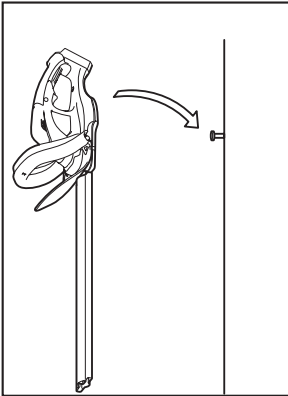


Fig.26

# SPECIFICATIONS

Model	DUH481		DUH483		DUH521		DUH523	
Blade length	480 mm				520 mm			
Strokes per minute (min <sup>-1</sup> )	1,350							
Rated voltage	D.C. 14.4 V		D.C. 18 V		D.C. 14.4 V		D.C. 18 V	
Overall length	869 mm	881 mm	873 mm	888 mm	919 mm	931 mm	923 mm	938 mm
Net weight	2.9 kg	3.1 kg	3.0 kg	3.2 kg	3.0 kg	3.2 kg	3.0 kg	3.3 kg
Battery cartridge	BL1415 / BL1415N	BL1430 / BL1430B / BL1440 / BL1450 / BL1460B	BL1815 / BL1815N / BL1820 / BL1820B	BL1830 / BL1830B / BL1840 / BL1840B / BL1850 / BL1850B / BL1860B	BL1415 / BL1415N	BL1430 / BL1430B / BL1440 / BL1450 / BL1460B	BL1815 / BL1815N / BL1820 / BL1820B	BL1830 / BL1830B / BL1840 / BL1840B / BL1850 / BL1850B / BL1860B
Battery charger	DC18RC,DC18SD							

- Due to our continuing program of research and development, the specifications herein are subject to change without notice.
- Specifications and battery cartridge may differ from country to country.
- Weight, with battery cartridge, according to EPTA-Procedure 01/2003

## Symbol

The following show the symbols used for the equipment. Be sure that you understand their meaning before use.



Read instruction manual.



Do not expose to rain.



Only for EU countries  
Do not dispose of electric equipment or battery pack together with household waste material!

In observance of the European Directives, on Waste Electric and Electronic Equipment and Batteries and Accumulators and Waste Batteries and Accumulators and their implementation in accordance with national laws, electric equipment and batteries and battery pack(s) that have reached the end of their life must be collected separately and returned to an environmentally compatible recycling facility.

## Intended use

The tool is intended for trimming hedges.

## Noise

The typical A-weighted noise level determined according to EN60745:

**Model DUH481,DUH483,DUH521**

Sound pressure level ( $L_{pA}$ ): 75 dB (A)

Uncertainty (K): 2.5 dB (A)

The noise level under working may exceed 80 dB (A).

**Model DUH523**

Sound pressure level ( $L_{pA}$ ): 77 dB (A)

Uncertainty (K): 2.5 dB (A)

The noise level under working may exceed 80 dB (A).

**Wear ear protection**

## Vibration

The vibration total value (tri-axial vector sum) determined according to EN60745:

Work mode : hedge trimming

Vibration emission ( $a_h$ ): 2.5 m/s<sup>2</sup> or less

Uncertainty (K): 1.5 m/s<sup>2</sup>

**NOTE:** The declared vibration emission value has been measured in accordance with the standard test method and may be used for comparing one tool with another.

**NOTE:** The declared vibration emission value may also be used in a preliminary assessment of exposure.

**WARNING:** The vibration emission during actual use of the power tool can differ from the declared emission value depending on the ways in which the tool is used.

**WARNING:** Be sure to identify safety measures to protect the operator that are based on an estimation of exposure in the actual conditions of use (taking account of all parts of the operating cycle such as the times when the tool is switched off and when it is running idle in addition to the trigger time).

## For European countries only

## EC Declaration of Conformity

**Makita declares that the following Machine(s):**

Designation of Machine:  
Cordless Hedge Trimmer

Model No./ Type:

DUH481,DUH483,DUH521,DUH523

Specifications: see "SPECIFICATIONS" table.

**Conforms to the following European Directives:**

2000/14/EC, 2006/42/EC

They are manufactured in accordance with the following standard or standardized documents:

EN60745

The technical file in accordance with 2006/42/EC is available from:

Makita, Jan-Baptist Vinkstraat 2, 3070, Belgium

The conformity assessment procedure required by Directive 2000/14/EC was in Accordance with annex V.

Model DUH481

Measured Sound Power Level: 83.2 dB (A)

Guaranteed Sound Power Level: 86 dB (A)

Model DUH483

Measured Sound Power Level: 83.8 dB (A)

Guaranteed Sound Power Level: 88 dB (A)

Model DUH521

Measured Sound Power Level: 82.9 dB (A)

Guaranteed Sound Power Level: 86 dB (A)

Model DUH523

Measured Sound Power Level: 84.3 dB (A)

Guaranteed Sound Power Level: 89 dB (A)

28.4.2015



Yasushi Fukaya  
Director

Makita, Jan-Baptist Vinkstraat 2, 3070, Belgium

## General Power Tool Safety Warnings

**⚠️WARNING** Read all safety warnings and all instructions. Failure to follow the warnings and instructions may result in electric shock, fire and/or serious injury.

**Save all warnings and instructions for future reference.**

## CORDLESS HEDGE TRIMMER SAFETY WARNINGS

1. **Keep all parts of the body away from the cutter blade. Do not remove cut material or hold material to be cut when blades are moving. Make sure the switch is off when clearing jammed material.** A moment of inattention while operating the hedge trimmer may result in serious personal injury.
2. **Carry the hedge trimmer by the handle with the cutter blade stopped. When transporting or storing the hedge trimmer always fit the cutting device cover.** Proper handling of the hedge trimmer will reduce possible personal injury from the cutter blades.
3. **Hold the power tool by insulated gripping surfaces only, because the cutter blade may contact hidden wiring.** Cutter blades contacting a "live" wire may make exposed metal parts of the power tool "live" and could give the operator an electric shock.

4. Do not use the hedge trimmer in the rain or in wet or very damp conditions. The electric motor is not waterproof.
5. First-time users should have an experienced hedge trimmer user show them how to use the trimmer.
6. The hedge trimmer must not be used by children or young persons under 18 years of age. Young persons over 16 years of age may be exempted from this restriction if they are undergoing training under the supervision of an expert.
7. Use the hedge trimmer only if you are in good physical condition. If you are tired, your attention will be reduced. Be especially careful at the end of a working day. Perform all work calmly and carefully. The user is responsible for all damages to third parties.
8. Never use the trimmer when under the influence of alcohol, drugs or medication.
9. Work gloves of stout leather are part of the basic equipment of the hedge trimmer and must always be worn when working with it. Also wear sturdy shoes with anti-skid soles.
10. Before starting work check to make sure that the trimmer is in good and safe working order. Ensure guards are fitted properly. The hedge trimmer must not be used unless fully assembled.
11. Make sure you have a secure footing before starting operation.
12. Hold the tool firmly when using the tool.
13. Do not operate the tool at no-load unnecessarily.
14. Immediately switch off the motor and remove the battery cartridge if the cutter should come into contact with a fence or other hard object. Check the cutter for damage, and if damaged repair immediately.
15. Before checking the cutter, taking care of faults, or removing material caught in the cutter, always switch off the trimmer and remove the battery cartridge.
16. Switch off the trimmer and remove the battery cartridge before doing any maintenance work.
17. When moving the hedge trimmer to another location, including during work, always remove the battery cartridge and put the blade cover on the cutter blades. Never carry or transport the trimmer with the cutter running. Never grasp the cutter with your hands.
18. Clean the hedge trimmer and especially the cutter after use, and before putting the trimmer into storage for extended periods. Lightly oil the cutter and put on the cover. The cover supplied with the unit can be hung on the wall, providing a safe and practical way to store the hedge trimmer.
19. Store the hedge trimmer with the cover on, in a dry room. Keep it out of reach of children. Never store the trimmer outdoors.

## SAVE THESE INSTRUCTIONS.

**⚠️WARNING:** DO NOT let comfort or familiarity with product (gained from repeated use) replace strict adherence to safety rules for the subject product. MISUSE or failure to follow the safety rules stated in this instruction manual may cause serious personal injury.

## IMPORTANT SAFETY INSTRUCTIONS

### FOR BATTERY CARTRIDGE

1. Before using battery cartridge, read all instructions and cautionary markings on (1) battery charger, (2) battery, and (3) product using battery.
2. Do not disassemble battery cartridge.
3. If operating time has become excessively shorter, stop operating immediately. It may result in a risk of overheating, possible burns and even an explosion.
4. If electrolyte gets into your eyes, rinse them out with clear water and seek medical attention right away. It may result in loss of your eyesight.
5. Do not short the battery cartridge:
  - (1) Do not touch the terminals with any conductive material.
  - (2) Avoid storing battery cartridge in a container with other metal objects such as nails, coins, etc.
  - (3) Do not expose battery cartridge to water or rain.

A battery short can cause a large current flow, overheating, possible burns and even a breakdown.
6. Do not store the tool and battery cartridge in locations where the temperature may reach or exceed 50°C (122°F).
7. Do not incinerate the battery cartridge even if it is severely damaged or is completely worn out. The battery cartridge can explode in a fire.
8. Be careful not to drop or strike battery.
9. Do not use a damaged battery.
10. Follow your local regulations relating to disposal of battery.

### SAVE THESE INSTRUCTIONS.

#### Tips for maintaining maximum battery life

1. Charge the battery cartridge before completely discharged. Always stop tool operation and charge the battery cartridge when you notice less tool power.
2. Never recharge a fully charged battery cartridge. Overcharging shortens the battery service life.
3. Charge the battery cartridge with room temperature at 10°C - 40°C (50°F - 104°F). Let a hot battery cartridge cool down before charging it.
4. Charge the battery cartridge if you do not use it for a long period (more than six months).

## FUNCTIONAL DESCRIPTION

### ⚠ CAUTION:

- Always be sure that the tool is switched off and the battery cartridge is removed before adjusting or checking function on the tool.

### Installing or removing battery cartridge

► Fig.1: 1. Red indicator 2. Button 3. Battery cartridge

### ⚠ CAUTION:

- Always switch off the tool before installing or removing of the battery cartridge.
- **Hold the tool and the battery cartridge firmly when installing or removing battery cartridge.** Failure to hold the tool and the battery cartridge firmly may cause them to slip off your hands and result in damage to the tool and battery cartridge and a personal injury.

To remove the battery cartridge, slide it from the tool while sliding the button on the front of the cartridge. To install the battery cartridge, align the tongue on the battery cartridge with the groove in the housing and slip it into place. Insert it all the way until it locks in place with a little click. If you can see the red indicator on the upper side of the button, it is not locked completely.

### ⚠ CAUTION:

- Always install the battery cartridge fully until the red indicator cannot be seen. If not, it may accidentally fall out of the tool, causing injury to you or someone around you.
- Do not install the battery cartridge forcibly. If the cartridge does not slide in easily, it is not being inserted correctly.

### Battery protection system (Lithium-ion battery with star marking)

► Fig.2: 1. Star marking

Lithium-ion batteries with a star marking are equipped with a protection system. This system automatically cuts off power to the tool to extend battery life. The tool will automatically stop during operation if the tool and/or battery are placed under one of the following conditions:

- **Overloaded:**

The tool is operated in a manner that causes it to draw an abnormally high current. In this situation, release the switch trigger on the tool and stop the application that caused the tool to become overloaded. Then pull the switch trigger again to restart. If the tool does not start, the battery is overheated. In this situation, let the battery cool before pulling the switch trigger again.
- **Low battery voltage:**

The remaining battery capacity is too low and the tool will not operate. In this situation, remove and recharge the battery.



## Indicating the remaining battery capacity

(Only for battery cartridges with "B" at the end of the model number.)

► **Fig.3:** 1. Indicator lamps 2. CHECK button

Press the check button on the battery cartridge to indicate the remaining battery capacity. The indicator lamps light up for few seconds.

Indicator lamps			Remaining capacity
Lighted	Off	Blinking	
■	□	▧	75% to 100%
■ ■ ■ ■			
■ ■ ■ □			50% to 75%
■ ■ □ □			25% to 50%
■ □ □ □			0% to 25%
▧ □ □ □			Charge the battery.
■ ■ □ □			The battery may have malfunctioned.
□ □ ■ ■			

### NOTE:

- Depending on the conditions of use and the ambient temperature, the indication may differ slightly from the actual capacity.

## Switch action

### CAUTION:

- Before inserting the battery cartridge into the tool, always check to see that the switch trigger actuates properly and returns to the "OFF" position when released.

► **Fig.4:** 1. Switch trigger A 2. Switch trigger B 3. Lock-off button

For your safety, this tool is equipped with a dual switching system. To turn on the tool, press the lock-off button and triggers A and B. Release either one of the two pressed triggers to turn off. The sequence of switching is unimportant as the tool only starts when both switches are activated.

## Indication lamp

► **Fig.5:** 1. Indication lamp

Running the tool allows the indication lamp to show the battery cartridge capacity status. When the tool is also overloaded and has stopped during operation, the lamp lights up in red. Refer to the following table for the status and action to be taken for the indication lamp.

Indication lamp	Status	Action to be taken
The lamp blinks in red.	This indicates the appropriate time to replace the battery cartridge when the battery power becomes low.	Recharge the battery cartridge as soon as possible.
The lamp lights up in red. (Note 1)	This function works when the battery power is almost used up. At this time, tool stops immediately.	Recharge the battery cartridge.
The lamp lights up in red. (Note 1)	Autostop due to overload.	Turn off the tool.

Note 1: The time at which the indication lamp lights up varies by the temperature around the work area and the battery cartridge conditions.

# OPERATION

## ⚠ CAUTION:

- Be careful not to accidentally contact a metal fence or other hard objects while trimming. The blade will break and may cause serious injury.
- Overreaching with a hedge trimmer, particularly from a ladder, is extremely dangerous. Do not work from anything wobbly or infirm.

**NOTICE: Do not attempt to cut branches thicker than 10 mm in diameter with the tool.** Cut branches to 10 cm lower than the cutting height using branch cutters before using the tool.

► **Fig.6:** (1) Cutting height (2) 10 cm

## ⚠ CAUTION:

- Do not cut off dead trees or similar hard objects. Failure to do so may damage the tool.

► **Fig.7**

Hold the trimmer with both hands and pull the switch trigger A or B and then move it in front of your body.

► **Fig.8:** 1. Trimming direction 2. Hedge surface to be trimmed 3. Tilt the blades

As a basic operation, tilt the blades towards the trimming direction and move it calmly and slowly at the speed rate of 3 - 4 seconds per meter.

► **Fig.9:** 1. String

To cut a hedge top evenly, it helps to tie a string at the desired hedge height and to trim along it, using it as a reference line.

► **Fig.10**

Attaching the chip receiver (optional accessory) on the tool when trimming the hedge straight can avoid cut off leaves' being thrown away.

► **Fig.11**

To cut a hedge side evenly, it helps to cut from the bottom upwards.

► **Fig.12**

Trim boxwood or rhododendron from the base toward the top for a nice appearance and good job.

## Installing or removing chip receiver (optional accessory)

### ⚠ CAUTION:

- Always be sure that the tool is switched off and unplugged before installing or removing chip receiver.

### NOTE:

- When replacing the chip receiver, always wear gloves so that hands and face does not directly contact the blade. Failure to do so may cause personal injury.
- Always be sure to remove the blade cover before installing the chip receiver.
- The chip receiver receives cut-off leaves and alleviates collecting thrown-away leaves. This can be installed on either side of the tool.

► **Fig.13:** 1. Press 2. Chip receiver 3. Nut 4. Shear blade

Press the chip receiver on the shear blades so that its slits overlap with the nuts on the shear blades.

► **Fig.14:** 1. Hooks 2. Fit the hooks into groove 3. Grooves

At this time, the chip receiver needs to be installed so that its hooks fit into grooves in the shear blade unit.

► **Fig.15:** 1. Press the levers on both sides 2. Unlock the hooks

To remove the chip receiver, press its lever on both sides so that the hooks are unlocked.

### ⚠ CAUTION:

- The blade cover (standard equipment) cannot be installed on the tool with the chip receiver being installed. Before carrying or storing, uninstall the chip receiver and then install the blade cover to avoid blade exposure.

### NOTE:

- Check the chip receiver for secure installment before use.
- Never try to uninstall the chip receiver by an excessive force with its hooks locked in the blade unit grooves. Using the excessive force may damage it.

# MAINTENANCE

### ⚠ CAUTION:

- Always be sure that the tool is switched off and the battery cartridge is removed before attempting to perform inspection or maintenance.

## Cleaning the tool

Clean out the tool by wiping off dust with a dry or soap-dipped rag.

### ⚠ CAUTION:

- Never use gasoline, benzine, thinner, alcohol or the like. Discoloration, deformation or cracks may result.

## Blade maintenance

Smear the blade before and once per hour during operation using machine oil or the like.

### NOTE:

- Before smearing the blade, remove the chip receiver.

After operation, remove dust from both sides of the blade with wired brush, wipe it off with a rag and then apply enough low-viscosity oil, such as machine oil etc. and spray-type lubricating oil.

### ⚠ CAUTION:

- Do not wash the blades in water. Failure to do so may cause rust or damage on the tool.

## Removing or installing shear blade

### ⚠ CAUTION:

- Before removing or installing shear blade, always be sure that the tool is switched off and the battery cartridge is removed.
- When replacing the shear blade, always wear gloves without removing blade cover so that hands and face does not directly contact the blade. Failure to do so may cause personal injury.

### NOTE:

- Do not wipe off grease from the gear and crank. Failure to do so may cause damage to the tool.

## Removing the shear blades

- **Fig.16:** 1. Screws 2. Under cover

Reverse the tool and loosen four screws and remove the under cover.

### NOTE:

- Be careful not to get your hands dirty as grease is applied in the shear blade driving area.

- **Fig.17:** 1. Screws 2. Sponge 3. Washer

Loosen four screws and remove the blades. Remove the washer and sponge from the shear blades and put them aside. They are required for the later installation.

- **Fig.18:** 1. Gear 2. Sleeves 3. Washer 4. Groove

If the sleeves are still left in the holes of the gear, remove the gear and push the sleeves out of it with a screwdriver or the like.

**NOTE:** The washer underneath the gear may come off by mistake when removing the gear. In this case, return it to the original position as it was installed.

## Installing the shear blade

- **Fig.19:** 1. Blade cover

Remove the blade cover from the old shear blades and fit it onto the new ones to avoid contact with blades.

- **Fig.20**

Adjust the hole positions by turning the gear as illustrated.

- **Fig.21:** 1. Grease

- **Fig.22:** 1. Grease

Apply some grease provided with the new shear blades as illustrated.

- **Fig.23:** 1. Blade 2. Sponge 3. Sleeves

Put the removed sponge in the same position as the old one. Make sure that the sleeves provided with the new shear blades are put on the pins of the blade. Place the new shear blades on the tool so that the pins fit in the holes of the gear. If the sleeves on the pins come off mistakenly, put them into the holes of the gear beforehand.

- **Fig.24:** 1. Screws 2. Washer

Install the blade and tighten the four screws and put the removed washer in the same position as the old one.

- **Fig.25:** 1. Screws

Install the under cover on the tool and tighten the four screws firmly.

## Storage

The hook hole in the tool bottom is convenient for hanging the tool from a nail or screw on the wall.

- **Fig.26**

Remove the battery cartridge and put the blade cover on the shear blades so that the blades are not exposed. Store the tool out of the reach of children carefully. Store the tool in the place not exposed to water and rain.

To maintain product SAFETY and RELIABILITY, repairs, any other maintenance or adjustment should be performed by Makita Authorized Service Centers, always using Makita replacement parts.

## OPTIONAL ACCESSORIES

### ⚠ CAUTION:

- These accessories or attachments are recommended for use with your Makita tool specified in this manual. The use of any other accessories or attachments might present a risk of injury to persons. Only use accessory or attachment for its stated purpose.

If you need any assistance for more details regarding these accessories, ask your local Makita Service Center.

- Blade cover
- Shear blade assembly
- Makita genuine battery and charger
- Chip receiver

### NOTE:

- Some items in the list may be included in the tool package as standard accessories. They may differ from country to country.

## ТЕХНІЧНІ ХАРАКТЕРИСТИКИ

Модель	DUN481		DUN483		DUN521		DUN523	
Довжина полотна	480 мм				520 мм			
Швидкість ланцюга за хвилину (хв <sup>-1</sup> )	1350							
Номінальна напруга	14,4 В пост. Тока		18 В пост. Тока		14,4 В пост. Тока		18 В пост. Тока	
Загальна довжина	869 мм	881 мм	873 мм	888 мм	919 мм	931 мм	923 мм	938 мм
Чиста вага	2,9 кг	3,1 кг	3,0 кг	3,2 кг	3,0 кг	3,2 кг	3,0 кг	3,3 кг
Касета з акумулятором	BL1415 / BL1415N	BL1430 / BL1430B / BL1440 / BL1450 / BL1460B	BL1815 / BL1815N / BL1820 / BL1820B	BL1830 / BL1830B / BL1840 / BL1840B / BL1850 / BL1850B / BL1860B	BL1415 / BL1415N	BL1430 / BL1430B / BL1440 / BL1450 / BL1460B	BL1815 / BL1815N / BL1820 / BL1820B	BL1830 / BL1830B / BL1840 / BL1840B / BL1850 / BL1850B / BL1860B
Зарядний пристрій	DC18RC, DC18SD							

- Через те, що ми не припиняємо програми досліджень і розвитку, наведені тут технічні характеристики можуть бути змінені без попередження.
- Технічні характеристики приладу та касета з акумулятором можуть відрізнятися в різних країнах.
- Вага разом з касетою з акумулятором відповідно до EPTA-Procedure 01/2003

### Умовне позначення

Далі наведені символи, які застосовуються для позначення обладнання. Перед користуванням переконайтеся, що Ви розумієте їхнє значення.



Прочитайте інструкцію з експлуатації.



Не залишайте інструмент під дощем.



Тільки для країн ЄС  
Не викидайте електроприлади або акумуляторні батареї разом із побутовим сміттям! Згідно з Європейськими директивами про утилізацію електричного та електронного обладнання та про утилізацію батарей та акумуляторів і батарей та акумуляторів, термін служби яких закінчився, та їх використанням із дотриманням національних законів, електричне обладнання, батареї та акумулятори, термін служби яких закінчився, потрібно збирати окремо та відправляти на екологічно чисті підприємства з їхньої переробки.

### Призначення

Інструмент призначено для підрізки живоплоту.

### Шум

Рівень шуму за шкалою А у типовому виконанні, визначений відповідно до EN60745:

#### Модель DUN481, DUN483, DUN521

Рівень звукового тиску ( $L_{pA}$ ): 75 дБ (А)

Похибка (К): 2,5 дБ (А)

Рівень шуму під час роботи може перевищувати 80 дБ (А).

#### Модель DUN523

Рівень звукового тиску ( $L_{pA}$ ): 77 дБ (А)

Похибка (К): 2,5 дБ (А)

Рівень шуму під час роботи може перевищувати 80 дБ (А).

**Користуйтеся засобами захисту слуху**

### Вібрація

Загальна величина вібрації (сума трьох векторів) визначена згідно з EN60745:

Режим роботи: підстригання живої огорожі

Вібрація ( $a_h$ ): 2,5 м/с<sup>2</sup> або менше

Похибка (К): 1,5 м/с<sup>2</sup>

**ПРИМІТКА:** Заявлене значення вібрації було виміряно у відповідності до стандартних методів тестування та може використовуватися для порівняння одного інструмента з іншим.

**ПРИМІТКА:** Заявлене значення вібрації може також використовуватися для попередньої оцінки впливу.

**ПОПЕРЕДЖЕННЯ:** Залежно від умов використання вібрація під час фактичної роботи інструмента може відрізнятися від заявленого значення вібрації.

**ПОПЕРЕДЖЕННЯ:** Забезпечте належні запобіжні заходи для захисту оператора, що відповідатимуть умовам використання інструмента (слід брати до уваги всі складові робочого циклу, такі як час, коли інструмент вимкнено та коли він починає працювати на холостому ході під час запуску).

## Тільки для країн Європи

### Декларація про відповідність стандартам ЄС

Компанія Makita наголошує на тому, що обладнання:

Позначення обладнання:  
Акумуляторна пила для підрізання живоплоту  
№ моделі / тип:  
DUN481, DUN483, DUN521, DUN523  
Технічні характеристики: див. Таблицю  
"ТЕХНІЧНІ ХАРАКТЕРИСТИКИ".

Відповідає таким Європейським Директивам:  
2000/14/ЄС, 2006/42/ЄС

Обладнання виготовлене відповідно до таких стандартів або стандартизованих документів:  
EN60745

Технічну інформацію відповідно до 2006/42/ЄС можна отримати:

Makita, Jan-Baptist Vinkstraat 2, 3070, Бельгія

Процедура оцінювання відповідності, якої вимагає Директива 2000/14/ЄС, відбулася відповідно до Додатка V.

Модель DUN481

Замірний рівень звукової потужності: 83,2 дБ (А)  
Гарантований рівень звукової потужності: 86 дБ (А)

Модель DUN483

Замірний рівень звукової потужності: 83,8 дБ (А)  
Гарантований рівень звукової потужності: 88 дБ (А)

Модель DUN521

Замірний рівень звукової потужності: 82,9 дБ (А)  
Гарантований рівень звукової потужності: 86 дБ (А)

Модель DUN523

Замірний рівень звукової потужності: 84,3 дБ (А)  
Гарантований рівень звукової потужності: 89 дБ (А)

28.4.2015



Ясусі Фукайа  
Директор

Makita, Jan-Baptist Vinkstraat 2, 3070, Бельгія

### Застереження стосовно техніки безпеки при роботі з електроприладами

**⚠УВАГА!** Прочитайте усі застереження стосовно техніки безпеки та всі інструкції. Недотримання даних застережень та інструкцій може призвести до ураження струмом та виникнення пожежі та/або серйозних травм.

**Збережіть усі інструкції з техніки безпеки та експлуатації на майбутнє.**

### ПОПЕРЕДЖЕННЯ ПРО НЕОБХІДНУ ОБЕРЕЖНІСТЬ ПІД ЧАС РОБОТИ З АКУМУЛЯТОРНОЮ ПИЛОЮ ДЛЯ ПІДРІЗАННЯ ЖИВОПЛОТУ

1. Тримайте всі частини тіла на відстані від ріжучого полотна. Не зчищайте зрізаний матеріал і не притримуйте матеріал, який Ви хочете зрізати, під час руху полотна. Обов'язково переконайтеся в тому, що вимикач стоїть у положенні «Вимкнено» при видаленні застряглого матеріалу. Одна мить необережності при експлуатації ланцюгової пили може призвести до серйозної травми.
2. При перенесенні тримайте ланцюгову пилу за руків'я при нерухомому ріжучому полотні. При транспортуванні або зберіганні інструменту завжди закривайте повністю кришкою. Правильне поводження з інструментом зменшить ризик травмування ланцюгом.
3. Електроінструмент слід тримати тільки за ізольовані поверхні держака, оскільки ріжуче полотно може зачепити сховану електропроводку. Торкання ріжучим полотном струмоведучої проводки може призвести до передавання напруги до оголених металевих частин електроінструмента та до ураження оператора електричним струмом.
4. Не використовуйте ланцюгову пилу під час дощу або за умов високої вологості або сирості. Електричний двигун не є водостійким.
5. Користувачі-початківці повинні мати досвідченого користувача, який зміг би показати, як правильно працювати з інструментом.
6. Дітям та підліткам молодше 18 років забороняється користуватися ланцюговою пилою. Цю заборону може бути знято з юнаків віком старших 16 років під час проходження практики під наглядом майстра.
7. Працювати з пилою можна, лише якщо Ви у хорошому фізичному стані. Якщо Ви втомлені, Ваша увага знижена. Будьте особливо обережними наприкінці робочого дня. Всю роботу слід виконувати спокійно та обережно. Користувач несе відповідальність за будь-яку шкоду, завдану третім сторонам.
8. Забороняється працювати з пилою після вживання алкоголю, ліків або медичних препаратів.
9. Робочі рукавиці з міцної гуми входять до набору обладнання ланцюгової пили; обов'язково одягайте їх при роботі з нею. Взуття повинно бути міцним, з нековзними підошвами.
10. Перед початком роботи перевірте, чи справна пила та чи знаходиться вона в належному робочому стані. Перевірте, чи правильно закріплені запобіжні деталі корпусу. Пилу для підрізання живоплоту можна використовувати тільки в повністю зібраному стані.
11. Перед початком роботи переконайтеся, що Ви стоїте на надійній поверхні.
12. Під час роботи тримайте інструмент міцно.
13. Не слід дуже довго залишати інструмент працювати на холостому ході.

14. Негайно вимкніть двигун та зніміть акумулятор, якщо ріжучий пристрій доторкнеться до паркану або до іншого твердого предмета. Перевірте ріжучий пристрій на наявність пошкоджень – якщо він пошкоджений, негайно полагодьте його.
  15. Перед перевіркою ріжучого пристрою, усуненням поломок чи видаленням матеріалу, що застряг в ріжучому пристрої, завжди вимикайте пилу та знімайте акумулятор.
  16. Вимикайте пилу та знімайте акумулятор перед тим, як виконувати техобслуговування.
  17. Під час переміщення пили для підрізання живоплоту у інше місце, зокрема під час роботи, завжди знімайте касету з акумулятором та встановлюйте на ножове полотно кришку ножиного полотна. Ніколи не переносьте та не перевозіть пилу для підрізання живоплоту з працюючим ріжучим пристроєм. Ніколи не тримайтеся за ріжучий пристрій руками.
  18. Почистіть ланцюгову пилу, а особливо ріжуче полотно після використання та перед тим, як покласти інструмент для довготривалого зберігання. Злегка змастіть ріжуче полотно та накрийте його кришкою. Кришку, що додається до обладнання, можна повісити на стіні, що забезпечує безпеку та практичне зберігання ланцюгової пили.
  19. Зберігайте ланцюгову пилу у чохлі у сухому приміщенні. Тримайте інструмент у місці, недоступному для дітей. Ланцюгову пилу забороняється зберігати на відкритому повітрі.
5. **Не закоротіть касету акумулятора.**
    - (1) **Не слід торкатися клем будь-яким струмомпровідним матеріалом.**
    - (2) **Не слід зберігати касету акумулятора в ємності з іншими металевими предметами, такими як цвяхи, монети і т.д.**
    - (3) **Не виставляйте касету з батареєю під дощ чи сніг.**  
Коротке замикання може призвести до появи значного струму, перегріву та можливим опікам та навіть поломки.
  6. **Не слід зберігати інструмент та касету з акумулятором в місцях, де температура може сягнути та перевищити 50гр.°C (122°F).**
  7. **Не слід спалювати касету з акумулятором навіть, якщо вона була неодноразово пошкоджена або повністю спрацьована. Касета з акумулятором може вибухнути в огні.**
  8. **Не слід кидати або ударяти акумулятор.**
  9. **Не слід використовувати пошкоджений акумулятор.**
  10. **Дотримуйтеся норм місцевого законодавства стосовно утилізації акумуляторів.**

## ЗБЕРІГАЙТЕ ЦІ ВКАЗІВКИ.

### Поради по забезпеченню максимального строку експлуатації акумулятора

1. Касету з акумулятором слід заряджати до того, як він розрядиться повністю. Завжди слід зупинити роботу інструменту та зарядити акумулятор, якщо ви помітили зменшення потужності інструменту.
2. Ніколи не слід заряджати повторно повністю заряджену касету з акумулятором. Перезарядження скорочує строк експлуатації акумулятора.
3. Касету з акумулятором слід заряджати при кімнатній температурі 10°C - 40°C (50°F - 104°F). Перед тим як заряджати касету з акумулятором слід зачекати доки вона охолоне.
4. Якщо Ви не користувалися касетою з акумулятором упродовж тривалого часу (більше шести місяців), її необхідно зарядити.

## ЗБЕРІГАЙТЕ ЦІ ВКАЗІВКИ.

**▲ПОПЕРЕДЖЕННЯ: НІКОЛИ НЕ СЛІД втрачати пильності та розслабляватися під час користування виробом (що трапляється при частому використанні); слід завжди строго дотримуватися правил безпеки під час використання цього пристрою. НЕНАЛЕЖНЕ ВИКОРИСТАННЯ або недотримання правил безпеки, викладених в цьому документі, може призвести до серйозних травм.**

## ВАЖЛИВІ ІНСТРУКЦІЇ БЕЗПЕКИ

### ДЛЯ КАСЕТИ АКУМУЛЯТОРА

1. Перед тим як користуватися касетою акумулятора, слід прочитати усі інструкції та попереджувачі відмітки щодо (1) зарядний пристрій акумулятора, (2) акумулятор та (3) виробу, що працюють від акумулятора.
2. Не слід розбирати касету акумулятора.
3. Якщо період роботи дуже покоротшав, слід негайно припинити користування. Це може призвести до ризику перегріву, опіку та навіть вибуху.
4. Якщо електроліт потрапив до очей, слід промити їх чистою водою та негайно звернутися за медичного закладу. Це може призвести до втрати зору.

# ІНСТРУКЦІЯ З ВИКОРИСТАННЯ

## ⚠ ОБЕРЕЖНО:

- Завжди перевіряйте, щоб прилад був вимкнений, а касета з акумулятором була знята, перед регулюванням або перевіркою функціонування інструмента.

## Встановлення та зняття касети з акумулятором

- **Рис.1:** 1. Червоний індикатор 2. Кнопка 3. Касета з акумулятором

## ⚠ ОБЕРЕЖНО:

- Завжди вимикайте інструмент перед встановленням або зніманням касети з акумулятором.
- Під час встановлення або зняття касети з акумулятором надійно утримуйте інструмент і касету з акумулятором. Інакше інструмент або касета з акумулятором можуть вислизнути з рук, що може призвести до травм або пошкодження інструмента й касети з акумулятором.

Щоб зняти касету з акумулятором, слід витягнути її з інструмента, натиснувши на кнопку в передній частині касети.

Щоб установити касету з акумулятором, слід сумістити шпонку касети з акумулятором із пазом у корпусі та вставити касету на місце. Уставляйте її, доки не почуєте клацання. Якщо на верхній частині кнопки видно червоний індикатор, це означає, що вона заблокована не повністю.

## ⚠ ОБЕРЕЖНО:

- Завжди уставляйте касету повністю, аж поки червоний індикатор стане невидимим. Якщо цього не зробити, касета може випадково випасти з інструмента та завдати травми вам або людям, що знаходяться поруч.
- Не встановлюйте касету з акумулятором із зусиллям. Якщо касета не вставляється легко, то це означає, що Ви її невірно вставляєте.

## Система захисту акумулятора (літій-іонний акумулятор з маркувальною зірочкою)

- **Рис.2:** 1. Маркувальна зірочка

Літій-іонні акумулятори з маркувальною зірочкою оснащені системою захисту. Ця система автоматично вимикає живлення інструмента з метою збільшення робочого часу акумулятора. Інструмент буде автоматично вимкнений під час роботи, якщо він та/або акумулятор знаходяться в таких умовах:

- Перенавантаження:  
Інструмент споживає струм занадто високої потужності під час роботи.  
У такому разі відпустіть курок вмикача, розташований на інструменті, та припиніть роботу, що призвела до перенавантаження інструмента. Щоб знову запустити інструмент, ще раз натисніть на курок вмикача.  
Якщо інструмент запустити неможливо, це означає, що акумулятор перегрівся. У такому разі дайте акумулятору охолонути, перш ніж знову натиснути на курок вмикача.
- Низька напруга акумулятора:  
Залишковий заряд акумулятора занадто низький, тому інструмент не буде працювати. У такому разі зніміть та зарядіть акумулятор.

## Відображення залишкового заряду акумулятора

(Тільки для касети з акумулятором, номер моделі якої закінчується літерою "B".)

- **Рис.3:** 1. Індикаторні лампи 2. Кнопка ПЕРЕВІРКА

Натисніть кнопку перевірки залишкового заряду акумулятора на касеті з акумулятором, щоб відобразити залишковий заряд акумулятора. Індикатори горітимуть декілька секунд.

Індикаторні лампи			Залишковий заряд
Горить	ВИМК.	Мигає	
■ ■ ■ ■			75 % - 100 %
■ ■ ■ □			50 % - 75 %
■ ■ □ □			25 % - 50 %
■ □ □ □			0 % - 25 %
▲ □ □ □			Зарядіть акумулятор.
■ ■ □ □			Можливо, виникли проблеми в роботі акумулятора.
□ □ ■ ■	↑ ↓		

## ПРИМІТКА:

- Залежно від умов використання та температури оточуючого середовища показання можуть незначним чином відрізнитися від дійсного ресурсу.

## Дія вимикача

### ⚠ ОБЕРЕЖНО:

- Перед тим, як вставляти касету з акумулятором в інструмент, слід перевірити належну роботу курка вимикача, тобто щоб він повертався у положення "ВИМК.", коли його відпускають.

- **Рис.4:** 1. Курковий вмикач А 2. Курковий вмикач В 3. Кнопка блокування вимкненого положення

Для Вашої безпеки інструмент обладнано подвійною системою вмикання. Щоб увімкнути інструмент, натисніть на кнопку блокування вимкненого положення та на куркові вмикачі А та В. Відпустіть будь-який з двох натиснутих куркових вмикачів, щоб вимкнути інструмент. Послідовність натискання вмикачів ролі не відіграє, тому що інструмент буде запущений тільки після натискання двох вмикачів.

## Лампочка індикатора

- **Рис.5:** 1. Лампочка індикатора

Коли інструмент працює, індикаторна лампа показує стан ємності акумулятора. Коли інструмент перенавантажений та зупинився під час роботи, лампа загоряється червоним. Зверніться до наступної таблиці, яка показує стан та необхідні дії у випадку загоряння лампи.

Лампочка індикатора	Стан	Дії, які треба ужити
Лампа блимає червоним.	Це вказує належний час для заміни касети з акумулятором, коли заряд акумулятора сідає.	Перезарядіть акумулятор якнайшвидше.
Лампа загоряється червоним. (Примітка 1)	Ця функція спрацьовує, коли акумулятор практично сів. В такому разі інструмент негайно зупиниться.	Перезарядіть акумулятор.
Лампа загоряється червоним. (Примітка 1)	Автоматичне зупинення через перенавантаження.	Вимкніть інструмент.

Примітка 1: Період часу, після якого індикаторна лампа загоряється, варіюється залежності від температури робочого місця та стану акумулятора.

## ЗАСТОСУВАННЯ

### ⚠ ОБЕРЕЖНО:

- Будьте обережні: не допускайте випадкового контакту з металом або іншими твердими предметами під час проведення підрізування. Ріжуче полотно може зламатися та завдати серйозної травми.
- Не працюйте з ланцюговою пилою, дотягуючись до віддалених зон, особливо стоячи на драбині: це надзвичайно небезпечно. Під час роботи не стійте на нестійкій або неміцній поверхні.

**УВАГА:** Не намагайтеся зрізати пилою гілки, товстіші за 10 мм у діаметрі. Перш ніж скористатися цим інструментом, підріжте такі гілки на 10 см нижче висоти різання за допомогою садових ножиць.

- **Рис.6:** (1) Висота різання (2) 10 см

### ⚠ ОБЕРЕЖНО:

- Не зрізайте засохлі дерева чи інші подібні тверді предмети. Недотримання цієї інструкції може призвести до пошкодження інструменту.

- **Рис.7**

Утримуючи інструмент двома руками, натисніть на куркові вмикачі А та В, потім переміщуйте інструмент перед собою.

- **Рис.8:** 1. Напрямок підрізування 2. Поверхня живоплоту, яку необхідно підрізати 3. Нахиліть полотно

У порядку стандартної дії при роботі, нахиліть ріжуче полотно у напрямку проведення підрізування, рухайте ним спокійно та повільно при швидкості з розрахунку 3 - 4 секунди на метр.

- **Рис.9:** 1. Шнурок

Щоб рівномірно підрізати верхню частину живоплоту, рекомендується прив'язати мотузку на бажаній висоті живоплоту та провести підрізування вздовж неї, використовуючи її у якості орієнтуру.



#### ► Рис.10

Щоб запобігти розкиданню обрізаного листя, на інструмент можна прикріпити уловлювач скалок (додаткове приладдя).

#### ► Рис.11

Щоб рівномірно підрізати бокову частину живоплоту, рекомендується проводити підрізування у напрямку знизу вгору.

#### ► Рис.12

Підрізайте самшит або рододендрон у напрямку від основи догори, щоб у результаті досягнути гарного вигляду та отримати хороші результати роботи.

### Установлення або знімання уловлювача скалок (додаткове приладдя)

#### ⚠ОБЕРЕЖНО:

- Перед установкою або зніманням уловлювача скалок обов'язково вимкніть інструмент та від'єднайте його від мережі живлення.

#### ПРИМІТКА:

- При заміні уловлювача скалок завжди одягайте рукавиці, щоб уникнути прямого контакту рук та обличчя з ріжучим полотном. Недотримання цієї інструкції може призвести до травмування.
- Перед встановленням уловлювача скалок завжди знімайте кришку ножового полотна.
- Уловлювач скалок уловлює зрізане листя і полегшує збирання зрізаного листя. Його можна встановити з будь-якого боку інструменту.

► Рис.13: 1. Натиснути 2. Уловлювач скалок 3. Гайка 4. Ножове полотно

Притисніть уловлювач скалок до ножового полотна таким чином, щоб його прорізи перекривали гайки ножового полотна.

► Рис.14: 1. Кріплення 2. З'єднайте гачки з пазом 3. Пази

При цьому уловлювач скалок необхідно встановити таким чином, щоб його гачки увійшли в пази на механізмі ножового полотна.

► Рис.15: 1. Натисніть важелі з обох боків 2. Від'єднайте гачки

Для того щоб зняти уловлювач скалок, натисніть на його важелі з обох боків, так щоб його гачки від'єдналися.

#### ⚠ОБЕРЕЖНО:

- Кришка ножового полотна (стандартне обладнання) не може бути встановлений на інструмент, якщо на ньому встановлено уловлювач скалок. Перед перенесенням або зберіганням інструменту зніміть уловлювач скалок, після чого закрийте ножове полотно чохлом.

#### ПРИМІТКА:

- Перевірте, чи надійно встановлено уловлювач скалок, перед тим як почати роботу.
- Ніколи не намагайтеся зняти уловлювач скалок, прикладаючи надмірну силу, щоб від'єднати його гачки від пазів ріжучого механізму: використання надмірної сили може призвести до його пошкодження.

## ТЕХНІЧНЕ ОБСЛУГОВУВАННЯ

#### ⚠ОБЕРЕЖНО:

- Завжди перевіряйте, щоб прилад був вимкнений, а касета з акумулятором була знята, перед проведенням перевірки або обслуговування.

### Чистка інструменту

Проводьте чистку інструменту, витираючи пил сухою або змоченою в милі ганчіркою.

#### ⚠ОБЕРЕЖНО:

- Ніколи не використовуйте газолін, бензин, розріджувач, спирт та подібні речовини. Їх використання може призвести до зміни кольору, деформації та появи тріщин.

### Технічне обслуговування ножового полотна

Перед використанням та щогодини змащуйте ножове полотно машинним маслом чи подібною речовиною.

#### ПРИМІТКА:

- Перш ніж проводити змащення ножового полотна, необхідно зняти уловлювач скалок.

Після роботи слід видалити пил з обох боків ножового полотна за допомогою дротяної щітки, протерти його ганчіркою, після чого необхідно нанести достатню кількість мастила з низькою в'язкістю, наприклад машинного мастила тощо, та змащувального матеріалу, що розпиляється.

#### ⚠ОБЕРЕЖНО:

- Не мийте ріжуче полотно у воді. Недотримання цієї інструкції може призвести до утворення іржі та пошкодження інструменту.

## Знімання та установка ножового полотна

### ⚠ ОБЕРЕЖНО:

- Перед зняттям чи встановленням ножового полотна завжди перевіряйте, щоб інструмент був вимкнений, а акумулятор знятий.
- При заміні ножового полотна завжди носіть рукавиці, не знімаючи кришку, щоб уникнути прямого контакту рук і обличчя з ріжучим полотном. Недотримання цієї інструкції може призвести до травмування.

### ПРИМІТКА:

- Не витирайте мастило з зубчатої передачі та кривошипного механізму. Недотримання цієї інструкції може призвести до пошкодження інструменту.

## Знімання ножового полотна

### ► Рис.16: 1. Гвинти 2. Нижня кришка

Перевірте інструмент, послабте чотири гвинти та зніміть нижню кришку.

### ПРИМІТКА:

- Будьте обережні, не забрудніть руки, так як приводна частина механізму ножового полотна змащена мастилом.

### ► Рис.17: 1. Гвинти 2. Губка 3. Шайба

Послабте чотири гвинти та зніміть полотно. Зніміть шайбу й губку з ножового полотна та відкладіть їх убік. Вони знадобляться Вам пізніше.

### ► Рис.18: 1. Шестірня 2. Втулка 3. Шайба 4. Паз

Якщо втулки усе ще перебувають в отворах шестірні, зніміть шестірню й виштовхніть з неї втулки за допомогою викрутки або подібного інструмента.

**ПРИМІТКА:** Під час знімання шестірні розташована під нею шайба може випадково випасти. У такому разі установіть її у вихідне положення.

## Установка ножового полотна

### ► Рис.19: 1. Кришка диску

Зніміть кришку ножового полотна зі старого полотна і встановіть на нове, намагаючись при цьому не торкатися самого полотна.

### ► Рис.20

Відрегулюйте положення отворів, повертаючи шестірню, як показано на малюнку.

### ► Рис.21: 1. Мастило

### ► Рис.22: 1. Мастило

Нанесіть деяку кількість мастила, що входить до комплекту поставки нового ножового полотна, як показано на малюнку.

### ► Рис.23: 1. Полотно 2. Губка 3. Втулка

Установіть зняту раніше губку у вихідне положення. Переконайтеся в тому, що втулки, які постачаються з новим ножовим полотном, установлені на штифти полотна. Установіть нове ножове полотно на інструмент таким чином, щоб штифти були узгоджені з отворами в шестірні. Щоб розташовані на штифтах втулки випадково не випали, заздалегідь установіть їх в отвори шестірні.

### ► Рис.24: 1. Гвинти 2. Шайба

Установіть полотно, затягніть чотири гвинти й установіть зняту раніше шайбу у вихідне положення.

### ► Рис.25: 1. Гвинти

Установіть на інструмент нижню кришку й надійно затягніть чотири гвинти.

## Зберігання

Отвір гачка в нижній частині інструмента зручний для того, щоб повісити інструмент на цвях або шуруп на стіні.

### ► Рис.26

Зніміть акумулятор та встановіть кришку на ножове полотно, так щоб закрити його. Зберігаєте інструмент у недоступному для дітей місці.

Зберігайте інструмент у місці, що не зазнає впливу води та дощу.

Для того, щоб підтримувати БЕЗПЕКУ та НАДІЙНІСТЬ, ремонт, технічне обслуговування або регулювання мають виконувати уповноважені центри обслуговування "Макіта", де використовуються лише стандартні запчастини "Макіта".

## ДОДАТКОВЕ ПРИЛАДДЯ

### ⚠ ОБЕРЕЖНО:

- Це оснащення або приладдя рекомендовано для використання з інструментами "Макіта", що описані в інструкції з експлуатації. Використання якогось іншого оснащення або приладдя може спричинити травмування. Оснащення або приладдя слід використовувати лише за призначенням.

У разі необхідності, отримати допомогу в більш детальному ознайомленні з оснащенням звертайтеся до місцевого Сервісного центру "Макіта".

- Кришка полотна
- Комплект ножового полотна
- Оригінальний акумулятор та заряджаючий пристрій Makita
- Уловлювач скалок

### ПРИМІТКА:

- Деякі елементи списку можуть входити до комплекту інструмента як стандартне приладдя. Вони можуть відрізнятися залежно від країни.

## SPECYFIKACJE

Model	DUH481		DUH483		DUH521		DUH523	
Długość belki nożowej	480 mm				520 mm			
Liczba oscylacji na minutę (min <sup>-1</sup> )	1 350							
Napięcie znamionowe	Prąd stały 14,4 V		Prąd stały 18 V		Prąd stały 14,4 V		Prąd stały 18 V	
Długość całkowita	869 mm	881 mm	873 mm	888 mm	919 mm	931 mm	923 mm	938 mm
Ciężar netto	2,9 kg	3,1 kg	3,0 kg	3,2 kg	3,0 kg	3,2 kg	3,0 kg	3,3 kg
Akumulator	BL1415 / BL1415N	BL1430 / BL1430B / BL1440 / BL1450 / BL1460B	BL1815 / BL1815N / BL1820 / BL1820B	BL1830 / BL1830B / BL1840 / BL1840B / BL1850 / BL1850B / BL1860B	BL1415 / BL1415N	BL1430 / BL1430B / BL1440 / BL1450 / BL1460B	BL1815 / BL1815N / BL1820 / BL1820B	BL1830 / BL1830B / BL1840 / BL1840B / BL1850 / BL1850B / BL1860B
Ładowarka	DC18RC,DC18SD							

- W związku ze stale prowadzonym przez naszą firmę programem badawczo-rozwojowym, niniejsze specyfikacje mogą ulec zmianom bez wcześniejszego powiadomienia.
- W innych krajach urządzenie może mieć odmienne parametry techniczne i może być wyposażone w inny akumulator.
- Waga urządzenia wraz z akumulatorem obliczona zgodnie z procedurą EPTA 01/2003

## Symbol

Poniżej pokazano symbole zastosowane na urządzeniu. Przed użyciem należy zapoznać się z ich znaczeniem.



Przeczytaj instrukcję obsługi.



Należy chronić przed deszczem.



Dotyczy tylko państw UE  
Nie wyrzucaj urządzeń elektrycznych lub akumulatorów wraz z odpadami z gospodarstwa domowego!  
Zgodnie z Europejską Dyrektywą w sprawie zużytego sprzętu elektrycznego i elektronicznego oraz dotyczącą akumulatorów i baterii oraz zużytych akumulatorów i baterii, a także dostosowaniem ich do prawa krajowego, zużyte urządzenia elektryczne, baterie i akumulatory, należy składować osobno i przekazywać do zakładu recyklingu działającego zgodnie z przepisami dotyczącymi ochrony środowiska.

## Przeznaczenie

Narzędzie to jest przeznaczone do przycinania żywoptłotów.

### Poziom hałas i drgań

Typowy równoważny poziom dźwięku A określony w oparciu o EN60745:

#### Model DUH481,DUH483,DUH521

Poziom ciśnienia akustycznego (L<sub>PA</sub>): 75 dB (A)  
Niepewność (K): 2,5 dB (A)

Poziom hałasu podczas pracy może przekraczać 80 dB (A).

#### Model DUH523

Poziom ciśnienia akustycznego (L<sub>PA</sub>): 77 dB (A)  
Niepewność (K): 2,5 dB (A)

Poziom hałasu podczas pracy może przekraczać 80 dB (A).

**Należy stosować ochroniacze na uszy**

## Drgania

Całkowita wartość poziomu drgań (suma wektorów w 3 osiach) określona zgodnie z normą EN60745:

Tryb pracy: przycinanie żywoptłotu  
Emisja drgań (a<sub>h</sub>): 2,5 m/s<sup>2</sup> lub mniej  
Niepewność (K): 1,5 m/s<sup>2</sup>

**WSKAZÓWKA:** Deklarowana wartość wytwarzanych drgań została zmierzona zgodnie ze standardową metodą testową i można ją wykorzystać do porównywania narzędzi.

**WSKAZÓWKA:** Deklarowaną wartość wytwarzanych drgań można także wykorzystać we wstępnej ocenie narażenia.

**OSTRZEŻENIE:** Drgania wytwarzane podczas rzeczywistego użytkowania elektronarzędzia mogą się różnić od wartości deklarowanej, w zależności od sposobu jego użytkowania.

**OSTRZEŻENIE:** W oparciu o szacowane narażenie w rzeczywistych warunkach użytkowania należy określić środki bezpieczeństwa w celu ochrony operatora (uwzględniając wszystkie elementy cyklu działania, tj. czas, kiedy narzędzie jest wyłączone i kiedy pracuje na biegu jałowym, a także czas, kiedy jest włączone).

## Dotyczy tylko krajów europejskich

### Deklaracja zgodności UE

Firma Makita oświadcza, że poniższe urządzenie/-a:

Opis maszyny:

Akumulatorowe nożyce do żywopłotu

Nr modelu/Typ:

DUH481,DUH483,DUH521,DUH523

Dane techniczne: patrz tabela „SPECYFIKACJE”.

**Jest zgodne z wymogami określonymi w następujących dyrektywach europejskich:**

2000/14/WE, 2006/42/WE

Jest/są produkowane zgodnie z następującymi normami lub dokumentami normalizacyjnymi:

EN60745

Dokumentacja techniczna zgodna z wymaganiami dyrektywy 2006/42/WE jest dostępna w:

Makita, Jan-Baptist Vinkstraat 2, 3070, Belgia

Procedura oceny zgodności wymagana przez

Dyrektywę 2000/14/WE została przeprowadzona zgodnie z Załącznikiem V.

Model DUH481

Zmierzony poziom mocy akustycznej: 83,2 dB (A)

Gwarantowany poziom mocy akustycznej: 86 dB (A)

Model DUH483

Zmierzony poziom mocy akustycznej: 83,8 dB (A)

Gwarantowany poziom mocy akustycznej: 88 dB (A)

Model DUH521

Zmierzony poziom mocy akustycznej: 82,9 dB (A)

Gwarantowany poziom mocy akustycznej: 86 dB (A)

Model DUH523

Zmierzony poziom mocy akustycznej: 84,3 dB (A)

Gwarantowany poziom mocy akustycznej: 89 dB (A)

28.4.2015



Yasushi Fukaya  
Dyrektor

Makita, Jan-Baptist Vinkstraat 2, 3070, Belgia

### Ogólne zasady bezpieczeństwa obsługi elektronarzędzi

**⚠️ OSTRZEŻENIE** Przeczytaj wszystkie ostrzeżenia i instrukcje. Nie przestrzeganie ich może prowadzić do porażen prądem, pożarów i/lub poważnych obrażeń ciała.

**Wszystkie ostrzeżenia i instrukcje należy zachować do późniejszego wykorzystania.**

### OSTRZEŻENIA DOTYCZĄCE BEZPIECZNEJ EKSPLOATACJI BEZPRZEWODOWYCH NOŻYC DO ŻYWOPŁOTU

1. **Nie wolno zbliżać dłoni oraz innych części ciała do noży (ostrzy). Ciężego materiału nie wolno usuwać, ani przytrzymywać, kiedy noże są w ruchu. Przed usunięciem zablokowanego materiału należy koniecznie sprawdzić, czy narzędzie jest wyłączone.** Chwila nieuwagi podczas pracy z tym narzędziem może spowodować poważne zranienie.
2. **Nożyce do żywopłotu należy przenosić trzymając za uchwyt, a noże powinny być nieruchome. Podczas transportu lub przechowywania nożyce do żywopłotu zawsze powinna być założona osłona.** Prawidłowe obchodzenie się z tym narzędziem zmniejsza ryzyko urazów powodowanych ostrzami.
3. **Ponieważ elektronarzędzie może zetknąć się z ukrytymi przewodami elektrycznymi, należy trzymać je tylko za izolowane uchwyty.** Kontakt noży z przewodem elektrycznym pod napięciem powoduje, że również odsłonięte elementy metalowe narzędzia znajdują się pod napięciem, grożąc porażeniem operatora prądem elektrycznym.
4. Nożyce do żywopłotu nie wolno używać podczas deszczu, kiedy występuje rosa, itp. Silnik elektryczny tego narzędzia nie jest wodoszczelny.
5. Osoba mająca praktyczne doświadczenie z nożycami do żywopłotu powinna poinstruować użytkownika, który jeszcze nie pracował z takim narzędziem.
6. Dzieciom i młodzieży poniżej 18 roku życia nie wolno obsługiwać nożyce do żywopłotu. Młode osoby powyżej 16 roku życia można wyłączyć z tego zastrzeżenia, jeżeli odbywają szkolenie pod nadzorem fachowca.
7. Używaj nożyce do żywopłotu tylko wtedy, gdy jesteś w doskonałym stanie fizycznym. W przypadku zmęczenia twoja koncentracja będzie obniżona. Zachowaj szczególną ostrożność pod koniec dnia roboczego. Wszelkie czynności powinny być wykonywane spokojnie i ostrożnie. Użytkownik odpowiada za wszelkie szkody wyrządzone osobom trzecim.
8. Osobom pod wpływem alkoholu, narkotyków lub przyjmującym leki nie wolno podejmować pracy.
9. Rękawice robocze z grubej skóry należą do podstawowego wyposażenia przy pracy z nożycami i należy je nosić zawsze. Należy też nosić mocne buty z antypoślizgowymi podeszwami.
10. Przed rozpoczęciem pracy należy upewnić się, że nożyce są w dobrym i zapewniającym bezpieczeństwo stanie. Sprawdzić, czy zabezpieczenia są zamocowane prawidłowo. Nożyce do żywopłotu nie wolno używać, jeśli nie są całkowicie zmontowane.
11. Przed rozpoczęciem pracy należy sprawdzić, czy grunt pod nogami jest pewny.
12. Narzędzie należy trzymać pewnie podczas pracy.
13. Nie należy bez potrzeby uruchamiać narzędzia bez obciążenia.

14. Kiedy noże zetkną się z elementami ogrodzenia lub innym twardym przedmiotem, należy natychmiast wyłączyć silnik i wyjąć akumulator. Sprawdzić, czy nożyce nie zostały uszkodzone i w razie potrzeby natychmiast je naprawić.
  15. Przed sprawdzeniem nożyc, usuwaniem uszkodzeń lub zablokowanego materiału, należy je zawsze wyłączać i wyjmować akumulator.
  16. Przed przystąpieniem do jakichkolwiek prac konserwacyjnych należy wyłączyć nożyce i wyjąć akumulator.
  17. Przed przeniesieniem nożyc na inne miejsce, także podczas pracy, należy wyjąć akumulator i założyć osłonę na ostrza. Nie wolno przenosić lub przewozić nożyc, gdy noże są w ruchu. Nigdy nie chwycać noży rękami.
  18. Nożyce, a zwłaszcza ostrza należy wyczyścić po pracy, a także przed odłożeniem na przechowanie. Noże należy lekko naoliwić i nałożyć na nie osłonę. Osłonę, która została dostarczona z nożycami, można zawiesić na ścianie i jest to bezpieczny i praktyczny sposób przechowywania tego narzędzia.
  19. Nożyce należy przechowywać w suchym pomieszczeniu, z założoną osłoną. Dzieciom nie wolno mieć dostępu do nożyc. Nożyc nie wolno przechowywać na dworze.
  - (2) **Unikać przechowywania akumulatora w pojemniku z metalowymi przedmiotami, typu gwoździe, monety itp.**
  - (3) **Chronić akumulator przed wodą i deszczem.**
- Zwarcie prowadzi do przepływu prądu elektrycznego o dużym natężeniu i przegrzania akumulatora, co w konsekwencji może grozić poparzeniami a nawet awarią urządzenia.
6. **Narzędzia i akumulatora nie wolno przechowywać w miejscach, w których temperatura osiąga bądź przekracza 50°C (122°F).**
  7. **Akumulatorów nie wolno palić, również tych poważnie uszkodzonych lub całkowicie zużytych. W ogniu mogą one bowiem eksplodować.**
  8. **Chronić akumulator przed upadkiem i uderzeniami.**
  9. **Nie wolno używać uszkodzonego akumulatora.**
  10. **Postępować zgodnie z przepisami lokalnymi dotyczącymi utylizacji akumulatorów.**

## ZACHOWAĆ INSTRUKCJE.

### Wskazówki dotyczące zachowania maksymalnej trwałości akumulatora

1. **Akumulator należy naładować zanim zostanie do końca rozładowany. Gdy zauważysz spadek mocy narzędzia, przerwij pracę i naładuj akumulator.**
2. **Nie wolno ładować powtórnie w pełni naładowanego akumulatora. Przeładowanie akumulatora skraca jego czas eksploatacji.**
3. **Akumulator ładować w temperaturze mieszczącej się w przedziale 10°C - 40°C (50°F - 104°F). Gdy akumulator jest gorący, przed przystąpieniem do jego ładowania odczekać, aż ostygnie.**
4. **Naładować akumulator w przypadku nieużywania go przez dłuższy okres (ponad 6 miesięcy).**

## ZACHOWAĆ INSTRUKCJE.

**⚠ OSTRZEŻENIE: NIE WOLNO pozwolić, aby wygoda lub rutyna (nabyta w wyniku wielokrotnego używania narzędzia) zastąpiły ściśle przestrzeganie zasad bezpieczeństwa obsługi. NIEWŁAŚCIWE UŻYTKOWANIE narzędzia lub niestosowanie się do zasad bezpieczeństwa podanych w niniejszej instrukcji obsługi może prowadzić do poważnych obrażeń ciała.**

## WAŻNE ZASADY BEZPIECZEŃSTWA

### DOTYCZĄCE AKUMULATORA

1. **Przed użyciem akumulatora zapoznać się z wszystkimi zaleceniami i znakami ostrzegawczymi na (1) ładowarce, (2) akumulatorze i (3) wyrobie, w którym będzie używany akumulator.**
2. **Akumulatora nie wolno rozbierać.**
3. **Jeżeli czas pracy uległ znacznemu skróceniu, należy natychmiast przerwać pracę. Może bowiem dojść do przegrzania, ewentualnych poparzeń, a nawet eksplozji.**
4. **W przypadku przedostania się elektrolitu do oczu, przemyć je wodą i niezwłocznie uzyskać pomoc lekarską. Może on bowiem spowodować utratę wzroku.**
5. **Nie doprowadzać do zwarcia akumulatora:**
  - (1) **Nie dotykać styków przedmiotami wykonanymi z materiałów przewodzących.**

# OPIS DZIAŁANIA

## **⚠ PRZESTROGA:**

- Przed przystąpieniem do regulacji lub przeglądu narzędzia upewnić się, czy jest ono wyłączone i czy został wyjęty akumulator.

## Wkładanie i wyjmowanie akumulatora

- **Rys.1:** 1. Czerwony wskaźnik 2. Przycisk 3. Akumulator

## **⚠ PRZESTROGA:**

- Przed montażem lub demontażem akumulatora należy wyłączyć narzędzie.
- **Podczas wkładania lub wyjmowania akumulatora należy mocno trzymać narzędzie i akumulator.** W przeciwnym razie mogą one wysliznąć się z rąk, powodując uszkodzenie narzędzia lub akumulatora i obrażenia ciała.

Aby wyjąć akumulator, należy przesunąć przycisk znajdujący się w przedniej jego części i wysunąć akumulator. Aby zamontować akumulator, wystarczy wyrównać występ na akumulatorze z rowkiem w obudowie i wsunąć go na swoje miejsce. Akumulator należy wsuwać do oporu, aż się zablokuje, co jest sygnalizowane delikatnym kliknięciem. Jeśli jest widoczny czerwony wskaźnik w górnej części przycisku, akumulator nie został całkowicie zablokowany.

## **⚠ PRZESTROGA:**

- Należy go zamontować całkowicie, tak aby czerwony wskaźnik nie był widoczny. W przeciwnym razie może przypadkowo wypaść z urządzenia, raniąc operatora lub osoby postronne.
- Nie montować akumulatora na siłę. Jeśli akumulator nie daje się swobodnie wsunąć, prawdopodobnie został włożony nieprawidłowo.

## System ochrony akumulatora (akumulator litowo-jonowy ze znakiem gwiazdki)

- **Rys.2:** 1. Znak gwiazdki

Akumulatory litowo-jonowe ze znakiem gwiazdki posiadają w system ochrony. System ten automatycznie odcina dopływ prądu do narzędzia w celu wydłużenia żywotności akumulatora. Narzędzie zostanie automatycznie zatrzymane podczas pracy w następujących sytuacjach związanych z narzędziem/akumulatorem:

- **Przeciążenie:**  
Narzędzie pracuje w sposób przyczyniający się do niezwykle wysokiego wzrostu napięcia. W takiej sytuacji należy zwolnić język spustowy przełącznika w narzędziu i zaprzestać wykonywania czynności, która spowodowała przeciążenie narzędzia. Następnie należy ponownie pociągnąć za język spustowy przełącznika w celu uruchomienia narzędzia. Jeżeli narzędzie nie włączy się, akumulator uległ przegrzaniu. W takiej sytuacji należy poczekać, aż akumulator ostygnie przed ponownym pociągnięciem za język spustowy przełącznika.

- **Niskie napięcie akumulatora:**  
Za niski poziom naładowania akumulatora, aby narzędzie mogło pracować. W takiej sytuacji należy wyjąć akumulator i go naładować.

## Wskazuje stan naładowania akumulatora

(Dotyczy wyłącznie akumulatorów z symbolem „B” na końcu numeru modelu).

- **Rys.3:** 1. Kontrolki 2. Przycisk CHECK (SPRAWDŹ)  
Nacisnąć przycisk kontrolny znajdujący się na akumulatorze w celu wskazania poziomu naładowania akumulatora. Kontrolki świecą się na kilka sekund.

Kontrolki			Poziom naładowania
Świeci się	WYŁ (OFF)	Pulsuje	
■ ■ ■ ■	□ □ □ □	□ □ □ □	75 % do 100 %
■ ■ ■ □	□ □ □ □	□ □ □ □	50 % do 75 %
■ ■ □ □	□ □ □ □	□ □ □ □	25 % do 50 %
■ □ □ □	□ □ □ □	□ □ □ □	0 % do 25 %
■ □ □ □	□ □ □ □	□ □ □ □	Naładować akumulator.
■ □ □ □	□ □ □ □	□ □ □ □	Prawdopodobnie akumulator jest uszkodzony.

## WSKAZÓWKA:

- Zależnie od warunków użytkowania i temperatury otoczenia, wskazywany poziom może nieznacznie się różnić od rzeczywistego poziomu naładowania akumulatora.

## Włączanie

### **⚠ PRZESTROGA:**

- Przed włożeniem akumulatora do narzędzia zawsze sprawdź, czy języki spustowe wyłącznika działają prawidłowo i po zwolnieniu powraca do położenia „OFF”.

- **Rys.4:** 1. Spust przełącznika A 2. Spust przełącznika B 3. Przycisk blokady

Narzędzie to posiada zabezpieczenie w postaci podwójnego systemu włączania. Aby je uruchomić, należy nacisnąć przycisk blokady oraz języki spustowe A i B. Zwolnienie jednego z dwóch naciśniętych języków spustowych wyłącza nożyce. Kolejność naciskania nie ma znaczenia; narzędzie uruchamia się, kiedy wciśnięte są obydwaj przełączniki.

## Kontrolka

### ► Rys.5: 1. Kontrolka

Po uruchomieniu narzędzia, kontrolka informuje o stanie naładowania akumulatora. Kontrolka świeci na czerwono w razie przeciążenia i zatrzymania narzędzia podczas pracy. Możliwe stany kontrolki i wymagane działania zostały podane w poniższej tabeli.

Kontrolka	Stan	Wymagane działanie
Kontrolka pulsuje na czerwono.	Ten sygnał wskazuje na konieczność wymiany akumulatora, gdy jest wyczerpany.	Natychmiast naładować akumulator.
Kontrolka świeci na czerwono. (Uwaga 1)	Ta funkcja uruchamia się, gdy moc baterii jest prawie wyczerpana. Należy wówczas natychmiast wyłączyć narzędzie.	Naładować akumulator.
Kontrolka świeci na czerwono. (Uwaga 1)	Automatyczne zatrzymanie z powodu przeciążenia.	Wyłączyć narzędzie.

Uwaga 1: Czas, po którym zaświeci się kontrolka, zależy od temperatury otoczenia oraz stanu akumulatora.

## DZIAŁANIE

### ▲ PRZESTROGA:

- Podczas przycinania należy uważać na metalowe ogrodzenia lub inne twarde przedmioty. Mogą one spowodować pęknięcie ostrzy oraz poważne obrażenia.
- Podczas przycinania sięganie zbyt daleko, zwłaszcza gdy pracuje się na drabinie, może być bardzo niebezpieczne. Nie wolno podczas pracy stać na niepewnym podłożu.

**UWAGA: Nie wolno próbować przycinania tym narzędziem gałęzi grubszych niż 10 mm.** Przed użyciem tego narzędzia należy przyciąć gałęzie na długość o 10 cm mniejszą niż wysokość cięcia za pomocą sekatora do gałęzi.

► Rys.6: (1) Wysokość cięcia (2) 10 cm

### ▲ PRZESTROGA:

- Nie wolno też przycinać martwych gałęzi, ani innych twardych elementów. Nie przestrzeganie tego może doprowadzić do uszkodzenia narzędzia.

► Rys.7

Należy trzymać narzędzie oburącz, ciągnąc za język spustowy A lub B, następnie poruszać nim przed sobą.

► Rys.8: 1. Kierunek przycinania 2. Przycinana powierzchnia żywopłotu 3. Kąt pochylenia noży

Stosując podstawową metodę pracy, należy pochylić ostrza w kierunku przycinania i przesuwać je spokojnie i powoli, z szybkością jednego metra w ciągu 3 - 4 sekund.

► Rys.9: 1. Sznurek

Aby przycinać równo górną powierzchnię żywopłotu, dobrze jest na wymaganej wysokości zawiesić sznurek i przycinać wzdłuż niego.

► Rys.10

Stosowanie deflektora (wyposażenie dodatkowe) podczas przycinania prostego zapewnia odrzucanie obciętych liści w sposób kontrolowany.

► Rys.11

Równe przycięcie żywopłotu osiągamy przycinając od dołu do góry.

► Rys.12

Żywopłoty z bukszpanu i rododendronu (rózaniecznika) należy przycinać od dołu ku górze - wyglądają wtedy najładniej.

## Montaż i demontaż deflektora (wyposażenie dodatkowe)

### ▲ PRZESTROGA:

- Przed przystąpieniem do zakładania lub zdejmowania tarczy zawsze upewnij się, że narzędzie jest wyłączone i odłączone od zasilania.

### WSKAZÓWKA:

- Podczas zakładania lub zdejmowania deflektora należy zawsze nosić rękawice, aby nie dotykać ostrzy bezpośrednio. Nie przestrzeganie tej zasady może spowodować obrażenia.
- Przed zainstalowaniem pojemnika należy się zawsze upewnić, że została zdjęta osłona ostrza.
- Deflektor zbiera odcięte liście i ułatwia pozbywanie się ich. Można go zamontować z jednej lub z drugiej strony narzędzia.

- **Rys.13:** 1. Docisnąć 2. Deflektor liści 3. Nakrętka 4. Noże

Montując deflektor, należy go docisnąć do belki nożowej, tak aby wpusty pasowały do nakrętek belki.

- **Rys.14:** 1. Haczyki 2. Włóż haczyki do rowków 3. Rowki

Deflektor mocuje się umieszczając jego haczyki w rowkach belki nożowej.

- **Rys.15:** 1. Nacisnąć zaczepy po obu stronach 2. Odczep haczyki

Aby zdemontować deflektor, naciśnij haczyki po obu stronach i haczyki się odcepią.

#### **PRZESTROGA:**

- Oslonę ostrzy (wyposażenie standardowe) nie można zamontować, kiedy zamontowany jest deflektor. Przed przeniesieniem lub przechowywaniem tego narzędzia, należy wymontować deflektor, a następnie założyć osłonę belki nożowej.

#### **WSKAZÓWKA:**

- Przed przystąpieniem do pracy z użyciem deflektora, należy sprawdzić czy jest on zamontowany prawidłowo.
- Deflektora nie wolno demontować z użyciem dużej siły, kiedy haczyki mocujące znajdują się w rowkach. Może to go uszkodzić.

## KONSERWACJA

#### **PRZESTROGA:**

- Przed przystąpieniem do przeglądu narzędzia lub jego konserwacji upewnić się, czy jest ono wyłączone i czy akumulator został wyjęty.

## Czyszczenie narzędzia

Narzędzie to należy czyścić usuwając kurz szmatką - suchą lub namoczoną w roztworze mydła.

#### **PRZESTROGA:**

- Nie wolno używać benzyny, benzenu, rozpuszczalnika, alkoholu itp. Substancje takie mogą spowodować odbarwienia, odkształcenia lub pęknięcia.

## Konserwacja noży

Noże należy smarować olejem maszynowym przed rozpoczęciem pracy oraz co godzinę podczas pracy.

#### **WSKAZÓWKA:**

- Przed zwilżeniem narzędzia olejem należy usunąć deflektor.

Po zakończeniu pracy należy drucianą szczotką usunąć pył po obu stronach ostrza, przetrzeć go szmatką, a następnie zwilżyć olejem o niskiej lepkości, np. olejem maszynowym, i olejem smarowym w sprayu.

#### **PRZESTROGA:**

- Noży nie wolno myć wodą. Mycie takie powoduje korodowanie i uszkodzenie narzędzia.

## Demontaż lub montaż belki nożowej

#### **PRZESTROGA:**

- Przed demontażem lub montażem belki nożowej należy wyłączyć narzędzie i wyjąć akumulator.
- Podczas zakładania lub zdejmowania belki nożowej należy zawsze nosić rękawice, aby nie dotykać ostrzy bezpośrednio. Nie przestrzeganie tej zasady może spowodować obrażenia.

#### **WSKAZÓWKA:**

- Nie wolno wycierać smaru z trybów i mimośrod. Nie przestrzeganie tego może doprowadzić do uszkodzenia narzędzia.

## Demontowanie belki nożowej

- **Rys.16:** 1. Wkręty 2. Osłona spodnia

Odwrócić narzędzie i poluzować cztery śruby, a następnie zdemontować osłonę dolną.

#### **WSKAZÓWKA:**

- Uważaj, aby się na pobrudzić, gdyż w mechanizmie napędu noży znajduje się smar.

- **Rys.17:** 1. Wkręty 2. Gąbka 3. Podkładka

Poluzować cztery śruby i zdemontować noże. Zdjąć podkładkę oraz gąbkę z belki nożowej i odłożyć je z boku. Będą one wymagane podczas dalszego etapu montażu.

- **Rys.18:** 1. Koło zębate 2. Tuleje 3. Podkładka 4. Bruzda

Jeżeli tuleje nadal znajdują się w otworach koła zębatego, należy zdjąć koło zębate i wypchnąć tuleje za pomocą wkrętaka lub podobnego narzędzia.

**WSKAZÓWKA:** Podkładka pod koło zębate może zostać zdjęta przez przypadek wraz z kołem. W takim przypadku, należy ją ponownie wsunąć na miejsce, w taki sposób, jak była zamontowana wcześniej.

## Montowanie belki nożowej.

- **Rys.19:** 1. Osłona ostrza

Zdjąć osłonę belki nożowej ze starej belki nożowej i zamontować ją na nowej belce w celu uniknięcia kontaktu z nożami.

- **Rys.20**

Wyregulować położenie otworu poprzez obrócenie koła zębatego, jak pokazano na rysunku.

- **Rys.21:** 1. Smar

- **Rys.22:** 1. Smar

Nałożyć smar dostarczony wraz z nową belką nożową, jak pokazano na rysunku.

- **Rys.23:** 1. Brzeszczot 2. Gąbka 3. Tuleje

Włożyć ponownie zdjętą wcześniej gąbkę w to samo miejsce. Upewnić się, że tuleje dostarczone wraz z nową belką nożową zostały nałożone na kołki noży. Nową belkę nożową należy umieścić na narzędziu w taki sposób, aby kołki pasowały do otworów na kole zębatego. Jeśli tuleje nie pasują do kołków należy w pierwszej kolejności wsunąć je w otwory na kole zębatego.



► **Rys.24:** 1. Wkręty 2. Podkładka

Zamontować nóż i dokręcić 4 śruby, a następnie włożyć zdjętą wcześniej podkładkę w to samo miejsce, co wcześniej.

► **Rys.25:** 1. Wkręty

Zamontować osłonę dolną i mocno dokręcić cztery śruby.

## Przechowywanie

Zaczeć na spodzie narzędzia służy do zawieszenia go na ścianie.

► **Rys.26**

Wyjmij akumulator i załóż osłonę na belkę nożową, aby ostrza były schowane całkowicie. Nożyce należy koniecznie strzec przed dziećmi.

Miejsce przechowywania nożyc powinno być suche.

Dla zachowania BEZPIECZEŃSTWA i

NIEZAWODNOŚCI wyrobu, naprawy oraz inne prace konserwacyjne i regulacyjne powinny być wykonywane przez Autoryzowane Centra Serwisowe Makita, wyłącznie przy użyciu części zamiennych Makita.

## AKCESORIA OPCJONALNE

### PRZESTROGA:

- Zaleca się stosowanie wymienionych akcesoriów i dodatków razem z elektronarzędziem Makita opisanym w niniejszej instrukcji. Stosowanie jakichkolwiek innych akcesoriów i dodatków może stanowić ryzyko uszkodzenia ciała. Stosować akcesoria i dodatki w celach wyłącznie zgodnych z ich przeznaczeniem.

W razie potrzeby, wszelkiej pomocy i szczegółowych informacji na temat niniejszych akcesoriów udzielą Państwu lokalne Centra Serwisowe Makita.

- Osłona belki nożowej
- Noże
- Oryginalny akumulator i ładowarka firmy Makita
- Deflektor liści

### WSKAZÓWKA:

- Niektóre pozycje znajdujące się na liście mogą być dołączone do pakietu narzędziowego jako akcesoria standardowe. Mogą to być różne pozycje, w zależności od kraju.

## SPECIFICAȚII

Model	DUH481		DUH483		DUH521		DUH523	
Lungime lamă	480 mm				520 mm			
Curse pe minut (min <sup>-1</sup> )	1.350							
Tensiune nominală	14,4 V cc.		18 V cc.		14,4 V cc.		18 V cc.	
Lungime totală	869 mm	881 mm	873 mm	888 mm	919 mm	931 mm	923 mm	938 mm
Greutate netă	2,9 kg	3,1 kg	3,0 kg	3,2 kg	3,0 kg	3,2 kg	3,0 kg	3,3 kg
Cartușul acumulatorului	BL1415 / BL1415N	BL1430 / BL1430B / BL1440 / BL1450 / BL1460B	BL1815 / BL1815N / BL1820 / BL1820B	BL1830 / BL1830B / BL1840 / BL1840B / BL1850 / BL1850B / BL1860B	BL1415 / BL1415N	BL1430 / BL1430B / BL1440 / BL1460B	BL1815 / BL1815N / BL1820 / BL1820B	BL1830 / BL1830B / BL1840 / BL1840B / BL1850 / BL1850B / BL1860B
Încărcător acumulator	DC18RC, DC18SD							

- Datorită programului nostru continuu de cercetare și dezvoltare, caracteristicile pot fi modificate fără o notificare prealabilă.
- Specificațiile și ansamblul baterie pot diferi de la țară la țară.
- Greutatea, cu ansamblul baterie, conform procedurii EPTA 01/2003

### Simbol

Mai jos sunt prezentate simbolurile de pe echipament. Asigurați-vă că înțelegeți sensul acestora înainte de utilizare.



Citiți manualul de utilizare.



Nu expuneți la ploaie.



Doar pentru țările UE  
Nu depuneți echipamente electrice sau acumulatorii împreună cu gunoii menajeri!  
În conformitate cu Directiva europeană privind deșeurile de echipamente electrice și electronice, bateriile și acumulatorii, precum și bateriile și acumulatorii reziduale și implementarea acestora conform legislației naționale, echipamentele electrice și bateriile și acumulatorii care au ajuns la sfârșitul duratei de viață trebuie colectate separat și reciclate corespunzător în vederea protejării mediului.

### Destinația

Mașina este destinată tunderii gardurilor viu.

### Emisie de zgomot

Nivelul de zgomot normal ponderat A determinat în conformitate cu EN60745:

#### Model DUH481, DUH483, DUH521

Nivel de presiune acustică ( $L_{pA}$ ): 75 dB (A)

Marjă de eroare (K): 2,5 dB (A)

Nivelul de zgomot în timpul funcționării poate depăși 80 dB (A).

#### Model DUH523

Nivel de presiune acustică ( $L_{pA}$ ): 77 dB (A)

Marjă de eroare (K): 2,5 dB (A)

Nivelul de zgomot în timpul funcționării poate depăși 80 dB (A).

**Purtați mijloace de protecție a auzului**

### Vibrații

Valoarea totală a vibrațiilor (suma vectorilor tri-axiali) determinată conform EN60745:

Mod de funcționare: tundere garduri viu

Emisie de vibrații ( $a_{hv}$ ): 2,5 m/s<sup>2</sup> sau mai puțin

Marjă de eroare (K): 1,5 m/s<sup>2</sup>

**NOTĂ:** Nivelul de vibrații declarat a fost măsurat în conformitate cu metoda de test standard și poate fi utilizat pentru compararea unei uneelte cu alta.

**NOTĂ:** Nivelul de vibrații declarat poate fi, de asemenea, utilizat într-o evaluare preliminară a expunerii.

**AVERTIZARE:** Nivelul de vibrații în timpul utilizării reale a unelei electrice poate diferi de valoarea nivelului declarat, în funcție de modul în care unealta este utilizată.

**AVERTIZARE:** Asigurați-vă că identificați măsurile de siguranță pentru a proteja operatorul, acestea fiind bazate pe o estimare a expunerii în condiții reale de utilizare (luând în considerare toate părțile ciclului de operare, precum timpii în care unealta a fost oprită, sau a funcționat în gol, pe lângă timpul de declanșare).

### Numai pentru țările europene

### Declarație de conformitate CE

**Makita declară că următoarea(e) mașină(i):**

Denumirea utilajului:

Mașină de tuns gardul viu fără cablu

Model nr./ Tip:

DUH481, DUH483, DUH521, DUH523

Specificații: consultați tabelul "SPECIFICAȚII".

**Este în conformitate cu următoarele directive europene:**

2000/14/EC, 2006/42/EC

Sunt fabricate în conformitate cu următorul standard sau documente standardizate:

EN60745

Fișierul tehnic în conformitate cu 2006/42/CE este disponibil de la:

Makita, Jan-Baptist Vinkstraat 2, 3070, Belgia

Procedura de evaluare a conformității prevăzută de Directiva 2000/14/CE s-a efectuat în conformitate cu anexa V.

Modelul DUH481

Nivel de putere acustică măsurat: 83,2 dB (A)

Nivel de putere acustică garantat: 86 dB (A)

Modelul DUH483

Nivel de putere acustică măsurat: 83,8 dB (A)

Nivel de putere acustică garantat: 88 dB (A)

Modelul DUH521

Nivel de putere acustică măsurat: 82,9 dB (A)

Nivel de putere acustică garantat: 86 dB (A)

Modelul DUH523

Nivel de putere acustică măsurat: 84,3 dB (A)

Nivel de putere acustică garantat: 89 dB (A)

28.4.2015



Yasushi Fukaya  
Director

Makita, Jan-Baptist Vinkstraat 2, 3070, Belgia

## Avertismente generale de siguranță pentru unelte electrice

**AVERTIZARE** Citiți toate avertizările de siguranță și toate instrucțiunile. Nerespectarea acestor avertizări și instrucțiuni poate avea ca rezultat electrocutarea, incendiul și/sau rănirea gravă.

**Păstrați toate avertismentele și instrucțiunile pentru consultări ulterioare.**

## AVERTISMENTE PRIVIND SIGURANȚA PENTRU MAȘINA DE TUNS GARDUL VIU FĂRĂ CABLU

- Țineți-vă toate părțile corpului departe de lama tăietoare. Când lamele sunt în mișcare, nu îndepărtați materialul tăiat și nici nu țineți materialul care va fi tăiat. Asigurați-vă că întrerupătorul este în poziția oprit atunci când curățați materialul blocat.** Un moment de neatenție în timpul utilizării mașinii de tuns gardul viu poate avea ca rezultat rănirea gravă.
- Transportați mașina de tuns gardul viu de mâner cu lama tăietoare oprită. Când transportați sau depozitați mașina de tuns gardul viu, montați întotdeauna apărătoarea dispozitivului de tăiere.** Manipularea corectă a mașinii de tuns gardul viu va reduce posibilitatea rănirii persoanei de către lamele tăietoare.
- Țineți mașina electrică doar de suprafețele de prindere izolate, deoarece pânda de tăiere poate intra în contact cu fire ascunse.** Pânzele de tăiere care intră în contact cu un fir sub tensiune vor pune sub tensiune și componentele metalice expuse ale mașinii electrice, existând pericolul ca operatorul să se electrocuteze.
- Nu utilizați mașina de tuns gardul viu în ploaie, condiții de umezeală sau de umezeală foarte ridicată. Motorul electric nu este etanș la apă.
- Cei care utilizează pentru prima dată mașina de tuns gardul viu trebuie să lucreze împreună cu un utilizator cu experiență care să le arate cum să folosească mașina de tuns gardul viu.
- Mașina de tuns gardul viu nu trebuie folosită de copii sau adolescenți cu vârstă mai mică de 18 ani. Adolescenții cu vârstă mai mare de 16 ani pot fi excepții de la această restricție în cazul în care beneficiază de instrucții sub supravegherea unui expert.
- Utilizați mașina de tuns gardul viu numai dacă vă aflați într-o stare fizică bună. Dacă sunteți obosit, atenția vă va fi redusă. Fiți atent în special la finalul zilei de muncă. Executați fiecare lucrare cu calm și cu atenție. Utilizatorul este responsabil pentru toate distrugerile provocate unor terțe părți.
- Nu utilizați niciodată mașina de tuns sub influența alcoolului, drogurilor sau medicamentelor.
- Mănușile de lucru din piele rezistentă sunt componente ale echipamentului de bază al mașinii de tuns gardul viu și trebuie să fie purtate întotdeauna când lucrați cu aceasta. De asemenea, purtați pantofi rezistenți și cu tălpi antiderapante.
- Înainte de a începe lucrul, verificați pentru a vă asigura că mașina de tuns este în stare bună și sigură de funcționare. Asigurați-vă că apărătorile sunt montate corect. Mașina de tuns gardul viu nu trebuie utilizată dacă nu este asamblată complet.
- Înainte de utilizării, asigurați-vă că aveți o bază sigură de sprijinire a picioarelor.
- Țineți ferm mașina atunci când o utilizați.
- Nu acționați mașina în gol în mod inutil.
- Oprți imediat motorul și scoateți cartușul acumulatorului dacă dispozitivul de tăiere vine în contact cu un gard sau cu un alt obiect tare. Verificați dispozitivul de tăiere și, dacă este deteriorat, reparați-l imediat.
- Înainte de a verifica dispozitivul de tăiere, de a remedia defecțiunile sau de a scoate materialul prins în dispozitivul de tăiere, oprți întotdeauna mașina de tuns și scoateți cartușul acumulatorului.
- Oprți mașina de tuns și scoateți cartușul acumulatorului înainte de a efectua operații de întreținere.
- Când deplasați mașina de tuns gardul viu într-o altă locație, inclusiv în timpul desfășurării activității, îndepărtați întotdeauna cartușul acumulatorului și așezați apărătoarea lamei peste lamele dispozitivului de tăiere. Nu cărați sau transportați niciodată mașina de tuns cu dispozitivul de tăiere în funcțiune. Nu apucați niciodată dispozitivul de tăiere cu mâinile.

- După utilizare și înainte de a o depozita pentru o perioadă lungă de timp, curățați mașina de tuns gardul viu și în special dispozitivul de tăiere. Ungeți puțin cu ulei dispozitivul de tăiere și puneți apărătoarea. Apărătoarea furnizată cu unitatea poate fi agățată pe perete, oferind un mod practic și sigur de depozitare a mașinii de tuns gardul viu.
- Depozitați mașina de tuns gardul viu cu apărătoarea pusă, într-o cameră uscată. Nu o lăsați la îndemâna copiilor. Nu depozitați niciodată mașina în exterior.

## PĂSTRAȚI ACESTE INSTRUCȚIUNI.

**⚠️ AVERTIZARE: NU permiteți comodității și familiarizării cu produsul (obținute prin utilizare repetată) să înlocuiască respectarea strictă a normelor de securitate pentru acest produs. FOLOSIREA INCORECTĂ sau nerespectarea normelor de securitate din acest manual de instrucțiuni poate provoca vătămări corporale grave.**

## INSTRUCȚIUNI IMPORTANTE PRIVIND SIGURANȚA

### PENTRU CARTUȘUL ACUMULATORULUI

- Înainte de a folosi cartușul acumulatorului, citiți toate instrucțiunile și atenționările de pe (1) încărcătorul acumulatorului, (2) acumulator și (3) produsul care folosește acumulatorul.
- Nu dezmembrați cartușul acumulatorului.
- Dacă timpul de funcționare s-a redus excesiv, întrerupeți imediat funcționarea. Aceasta poate prezenta risc de supraîncălzire, posibile arsuri și chiar explozie.
- Dacă electrolitul pătrunde în ochi, clătiți bine ochii cu apă curată și consultați imediat un medic. Există risc de orbire.
- Nu scurtcircuitați cartușul acumulatorului:
  - Nu atingeți bornele cu niciun material conductor.
  - Evitați depozitarea cartușului acumulatorului la un loc cu alte obiecte metalice cum ar fi cuie, monede etc.
  - Nu expuneți cartușul acumulatorului la apă sau ploaie.Un scurtcircuit al acumulatorului poate provoca un flux puternic de curent electric, supraîncălzire, posibile arsuri și chiar defectarea mașinii.
- Nu depozitați mașina și cartușul acumulatorului în spații în care temperatura poate atinge sau depăși 50°C (122°F).
- Nu incinerati cartușul acumulatorului chiar dacă acesta este grav deteriorat sau complet uzat. Cartușul acumulatorului poate exploda în foc.
- Aveți grijă să nu scăpați pe jos sau să loviți acumulatorul.

- Nu folosiți un acumulator uzat.
- Respectați normele naționale privind eliminarea la deșeurile a acumulatorului.

## PĂSTRAȚI ACESTE INSTRUCȚIUNI.

### Sfaturi pentru obținerea unei durate maxime de exploatare a acumulatorului

- Încărcați cartușul acumulatorului înainte de a se descărca complet. Întrerupeți întotdeauna funcționarea mașinii și încărcați cartușul acumulatorului când observați o scădere a puterii mașinii.
- Nu reîncărcați niciodată un acumulator complet încărcat. Supraîncărcarea va scurta durata de exploatare a acumulatorului.
- Încărcați cartușul acumulatorului la temperatura camerei, între 10°C - 40°C (50°F - 104°F). Lăsați un acumulator fierbinte să se răcească înainte de a-l încărca.
- Încărcați cartușul acumulatorului dacă nu îl utilizați o perioadă îndelungată (peste șase luni).

# DESCRIERE FUNCȚIONALĂ

## ⚠️ ATENȚIE:

- Asigurați-vă întotdeauna că mașina este oprită și cartușul acumulatorului este scos înainte de a ajusta sau verifica funcționarea mașinii.

## Instalarea sau scoaterea cartușului acumulatorului

- Fig.1: 1. Indicator roșu 2. Buton 3. Cartușul acumulatorului

## ⚠️ ATENȚIE:

- Opriti întotdeauna unealta înainte de montarea sau demontarea cartușului de acumulator.
- Țineți ferm mașina și cartușul acumulatorului la montarea sau demontarea cartușului.** În caz contrar, acestea vă pot aluneca din mâini, rezultând defectarea lor și posibilele accidentări.

Pentru a scoate cartușul acumulatorului, glisați-l din unealtă în timp ce glisați butonul de pe partea frontală a cartușului. Pentru a instala cartușul acumulatorului, aliniați limba de pe cartușul acumulatorului cu canelura din carcasă și introduceți-l în locaș. Introduceți-l complet, până când se înclichează în locaș. Dacă puteți vedea indicatorul roșu din partea superioară a butonului, acesta nu este blocat complet.

## ⚠️ ATENȚIE:

- Instalați întotdeauna cartușul acumulatorului complet, până când indicatorul roșu nu mai este vizibil. În caz contrar, acesta poate cădea accidental din mașină provocând rănirea dumneavoastră sau a persoanelor din jur.
- Nu forțați cartușul de acumulator la montare. Dacă acesta nu glisează ușor, înseamnă că a fost introdus incorect.

## Sistem de protecție a acumulatorului (acumulator litiu-ion cu marcaj stea)

- Fig.2: 1. Marcaj în stea

Acumulatorii litiu-ion cu un marcaj stea sunt echipate cu un sistem de protecție. Acest sistem oprește automat alimentarea mașinii pentru a prelungi durata de viață a bateriei.

Mașina se va opri automat în timpul funcționării când mașina și/sau acumulatorul se află într-una din situațiile următoare.

- Suprasarcină:

Mașina este operată într-o manieră care determină atragerea unui curent de o intensitate anormal de ridicată.

În această situație, eliberați butonul declanșator de pe mașină și opriti aplicația care a dus la supraîncărcarea mașinii. Apoi trageți din nou butonul declanșator pentru a reporni. Dacă mașina nu pornește, acumulatorul este supraîncălzit. În această situație, lăsați acumulatorul să se răcească înainte de a trage butonul declanșator din nou.

- Tensiune scăzută a acumulator: Capacitatea rămasă a bateriei este prea mică, iar mașina nu va funcționa. În această situație, scoateți și reincărcați acumulatorul.

## Indicarea capacității rămase a acumulatorului

(Doar pentru cartușele de acumulator cu "B" la sfârșitul numărului modelului.)

- Fig.3: 1. Lămpi indicator 2. Buton CHECK (Verificare)

Apăsați butonul de verificare de pe cartușul acumulatorului pentru indicarea capacității rămase a acumulatorului. Lampa indicatoare se aprinde timp de câteva secunde.

Lămpi indicator			Capacitate rămasă
Iluminat	OPRIT	Iluminare intermitentă	
■	□	▨	între 75 % și 100 %
■	■	□	între 50 % și 75 %
■	□	□	între 25 % și 50 %
■	□	□	între 0 % și 25 %
▨	□	□	Încărcați acumulatorul.
■	■	□	Este posibil ca acumulatorul să se fi defectat.
□	□	■	

## NOTĂ:

- În funcție de condițiile de utilizare și temperatura ambientală, indicația poate fi ușor diferită de capacitatea reală.

## Aționarea întrerupătorului

## ⚠️ ATENȚIE:

- Înainte de a introduce cartușul acumulatorului în mașină, verificați întotdeauna dacă butonul declanșator funcționează corect și revine în poziția "OFF" (oprit) când este eliberat.

- Fig.4: 1. Declanșator întrerupător A 2. Declanșator întrerupător B 3. Buton de deblocare

Pentru siguranța dumneavoastră, mașina este echipată cu un sistem cu comutare dublă. Pentru a porni mașina, apăsați butonul de deblocare și declanșatoarele A și B. Pentru a opri unealta, eliberați unul din cele două declanșatoare apăstate. Secvența de comutare nu este importată pentru că mașina pornește numai când ambele întrerupătoare sunt activate.

## Lampă indicatoare

### ► Fig.5: 1. Lampă indicatoare

Operarea mașinii permite lămpii de indicare să afișeze starea de capacitate a cartușului de acumulator. Când mașina este, la rândul ei, supraîncărcată și se oprește în timpul operării, lampa luminează în roșu. Consultați următorul tabel pentru stare și acțiunea de luat pentru lampa de indicare.

Lampă indicatoare	Stare	Acțiune necesară
Lampa luminează intermitent în roșu.	Aceasta indică momentul oportun pentru înlocuirea cartușului acumulatorului atunci când energia acumulatorului scade.	Reîncărcați cartușul acumulatorului cât mai urgent posibil.
Lampa luminează în roșu. (Nota 1)	Această funcție acționează atunci când energia acumulatorului este aproape consumată. În acest caz, mașina se oprește imediat.	Reîncărcați cartușul acumulatorului.
Lampa luminează în roșu. (Nota 1)	Oprire automată din cauza suprasarcinii.	Oprii mașina.

Nota 1: Ora la care lampa indicatoare luminează variază în funcție de temperatura din zona de lucru și starea cartușului de acumulator.

## FUNCȚIONARE

### ⚠ATENȚIE:

- În timpul tunderii, aveți grijă să nu atingeți accidental un gard metalic sau alte obiecte tari. Lama se va sparge și poate produce răni grave.
- Întinderea cu o mașină de tuns gardul viu, în special de pe o scară, este extrem de periculoasă. Nu lucrați de pe nimic instabil sau lipsit de fermitate.

**NOTĂ:** Nu încercați să tăiați ramuri mai groase de 10 mm cu **unealta**. Tăiați crengile la o înălțime cu 10 cm mai mică decât înălțimea de tăiere utilizând un cuțit de crengi, înainte de a utiliza această unealtă.

### ► Fig.6: (1) Înălțime de tăiere (2) 10 cm

### ⚠ATENȚIE:

- Nu tăiați copaci uscați sau alte obiecte similare dure. În caz contrar, mașina poate fi deteriorată.

### ► Fig.7

Țineți mașina de tuns cu ambele mâini și trageți butonul declanșator A sau B, apoi mutați-o în fața corpului.

► **Fig.8:** 1. Direcție de tundere 2. Suprafața gardului viu care va fi tunsă 3. Înclinați lamele

Ca o operație de bază, înclinați lamele în față spre direcția de tundere și deplasați-le calm și lent la o viteză nominală de 3 - 4 secunde pe metru.

### ► Fig.9: 1. Fir

Pentru a tunde uniform partea superioară a unui gard viu, vă va ajuta legarea unei sfori la înălțimea dorită a gardului viu, și tunderea de-a lungul acesteia, utilizând-o ca linie de referință.

### ► Fig.10

Montarea unui recipient de resturi (accesoriu opțional) pe mașină atunci când tundeți drept gardul viu poate evita proiectarea în aer a frunzelor tăiate.

### ► Fig.11

Pentru a tunde uniform o față a gardului viu, vă va ajuta să tundeți de jos în sus.

### ► Fig.12

Tundeți merișorul sau rododendronul de la bază spre partea superioară pentru un aspect plăcut și pentru un lucru bine făcut.

## Montarea sau demontarea recipientului de resturi (accesoriu opțional)

### ⚠ATENȚIE:

- Asigurați-vă întotdeauna că mașina este oprită și deconectată înainte de a monta sau demonta recipientul de resturi.

### NOTĂ:

- Atunci când înlocuiți recipientul de resturi, purtați întotdeauna mănuși astfel încât mâinile și fața să nu intre în contact direct cu lama. În caz contrar se poate produce rănierea.
- Înainte de a monta recipientul de resturi, asigurați-vă întotdeauna că scoateți apărătoria lamei.
- Recipientul de resturi primește frunzele tunse și ușurează colectarea frunzelor proiectate. Acesta poate fi instalat pe oricare latură a mașinii.

- **Fig.13:** 1. Apăsăți 2. Recipient de resturi 3. Piuliță  
4. Lamă de forfecare

Apăsăți pe recipientul de resturi pe lamele de forfecare astfel încât decupajele sale să se suprapună cu piulițele de pe acestea.

- **Fig.14:** 1. Cârlige 2. Introducerea cârligelor în canelură 3. Caneluri

Totodată, recipientul de resturi trebuie instalat astfel încât cârligele sale să intre în canelurile unității lamelor de forfecare.

- **Fig.15:** 1. Apăsăți manetele de pe ambele părți  
2. Deblocarea cârligelor

Pentru a scoate recipientul de resturi, apăsăți maneta sa pe ambele părți astfel încât cârligele să se deblocheze.

#### **ATENȚIE:**

- Dacă recipientul de resturi este montat, apărătoarea lamei (dotare standard) nu poate fi montată pe mașină. Înaintea transportului sau depozitării, demontați recipientul de resturi și apoi montați apărătoarea lamei, pentru a evita expunerea acesteia.

#### **NOTĂ:**

- Înaintea utilizării, verificați dacă recipientul de resturi este fixat corespunzător.
- Nu încercați niciodată să demontați recipientul de resturi, cu cârligele blocate în canelurile ansamblului lamei, prin intermediul unei forțe excesive. Utilizarea forței excesive poate deteriora recipientul.

## ÎNTREȚINERE

#### **ATENȚIE:**

- Asigurați-vă întotdeauna că mașina este oprită și cartușul acumulatorului este scos înainte de a executa lucrările de inspecție și întreținere.

### Curățarea mașinii

Curățați mașina, ștergând praful cu o lavetă uscată sau înmuiată în săpun.

#### **ATENȚIE:**

- Nu utilizați niciodată gazolină, benzină, diluant, alcool sau alte substanțe asemănătoare. În caz contrar, pot rezulta decolorări, deformări sau fisuri.

### Întreținerea lamei

Ungeți lama înainte de utilizare și o dată pe oră în timpul utilizării, cu ulei de mașină sau un alt ulei asemănător.

#### **NOTĂ:**

- Înainte de a scoate lama, demontați recipientul de resturi.

După utilizare, eliminați praful de pe ambele părți ale lamei cu o perie din sârmă, ștergeți cu o cârpă și apoi aplicați suficient ulei cu vâscozitate redusă, precum ulei de mașină etc. și ulei de lubrifiere cu aplicare prin pulverizare.

#### **ATENȚIE:**

- Nu spălați lamele în apă. În caz contrar, mașina poate fi deteriorată sau poate rugini.

### Demontarea sau montarea lamei de forfecare

#### **ATENȚIE:**

- Înainte de a demonta sau monta lama de forfecare, asigurați-vă întotdeauna că mașina este oprită și cartușul acumulatorului este scos.
- Atunci când înlocuiți lama de forfecare, purtați întotdeauna mănuși fără a demonta apărătoarea lamei astfel încât mâinile și fața să nu intre în contact direct cu lama. În caz contrar se poate produce rănirea.

#### **NOTĂ:**

- Nu ștergeți vaselina de pe angrenaj și pârghia cotită. În caz contrar, mașina poate fi deteriorată.

### Demontarea lamelor de forfecare

- **Fig.16:** 1. Șuruburi 2. Capac inferior

Întoarceți invers mașina, deșurubați cele patru șuruburi și scoateți capacul inferior.

#### **NOTĂ:**

- Aveți grijă să nu vă murdăriți pe mâini, deoarece în zona de acțiune a lamei de forfecare este aplicată vaselina.

- **Fig.17:** 1. Șuruburi 2. Burete 3. Șaibă

Deșurubați cele patru șuruburi și demontați lamele. Scoateți șaiba și buretele de pe lamele de forfecare și puneți-le deoparte. Acestea sunt necesare pentru a fi montate ulterior.

- **Fig.18:** 1. Angrenaj 2. Manșoane 3. Șaibă  
4. Canelură

Dacă manșoanele au rămas în orificiile angrenajului, scoateți angrenajul și împingeți manșoanele în afară cu o șurubelniță sau un instrument asemănător.

**NOTĂ:** Șaiba de sub angrenaj se poate desprinde accidental la demontarea angrenajului. În acest caz, reponzionați-o în poziția în care a fost montată.

### Montarea lamei de forfecare

- **Fig.19:** 1. Apărătoarea pânzei

Îndepărtați apărătoarea de pe lamele de forfecare vechi și montați-o pe noile lame pentru evitarea contactului cu acestea.

- **Fig.20**

Reglați pozițiile orificiilor rotind angrenajul în modul ilustrat.

- **Fig.21:** 1. Unsoare

► **Fig.22:** 1. Unsoare

Aplicați o cantitate mică din unsoarea furnizată cu noile lame de forfecare, în modul ilustrat.

► **Fig.23:** 1. Pânză de ferăstrău 2. Burete  
3. Manșoane

Așezați buretele scos în poziția în care s-a aflat inițial. Asigurați-vă că manșoanele furnizate cu noile lame de forfecare sunt poziționate pe știfturile de lamă. Așezați lamele de forfecare noi pe mașină astfel încât știfturile să intre în orificiile angrenajului. Dacă manșoanele de pe știfturi se desprind accidental, introduceți-le în prealabil în orificiile angrenajului.

► **Fig.24:** 1. Șuruburi 2. Șaibă

Montați lama și strângeți cele patru șuruburi, apoi puneți șaiba scoasă în poziția inițială.

► **Fig.25:** 1. Șuruburi

Montați capacul inferior pe mașină și strângeți ferm cele patru șuruburi.

## Depozitarea

Gaura pentru cârlig din partea inferioară a mașinii este convenabilă pentru agățarea mașinii de un cui sau șurub de pe perete.

► **Fig.26**

Scoateți cartușul acumulatorului și puneți apăratăoarea pe lamele de forfecare astfel încât lamele să nu fie expuse. Depozitați mașina departe de raza de acțiune a copiilor.

Depozitați mașina într-un loc care nu este expus la apă și ploaie.

Pentru a menține siguranța și fiabilitatea mașinii, reparațiile și reglajele trebuie să fie efectuate numai la Centrele de service autorizat Makita, folosindu-se piese de schimb Makita.

## ACCESORII OPȚIONALE

### ATENȚIE:

- Folosiți accesoriile sau piesele auxiliare recomandate pentru mașina dumneavoastră în acest manual. Utilizarea oricăror alte accesorii sau piese auxiliare poate cauza vătămări. Folosiți accesoriile pentru operațiunea pentru care au fost concepute.

Dacă aveți nevoie de asistență sau de mai multe detalii referitoare la aceste accesorii, adresați-vă centrului local de service Makita.

- Apărătoare lamă
- Ansamblu lamă de forfecare
- Acumulator și încărcător original Makita
- Recipient de resturi

### NOTĂ:

- Unele articole din listă pot fi incluse ca accesorii standard în ambalajul de scule. Acestea pot diferi în funcție de țară.



## TECHNISCHE DATEN

Modell	DUH481		DUH483		DUH521		DUH523	
Schneidblattlänge	480 mm				520 mm			
Schläge pro Minute (min <sup>-1</sup> )	1.350							
Nennspannung	Gleichspannung 14,4 V		Gleichspannung 18 V		Gleichspannung 14,4 V		Gleichspannung 18 V	
Gesamtlänge	869 mm	881 mm	873 mm	888 mm	919 mm	931 mm	923 mm	938 mm
Netto-Gewicht	2,9 kg	3,1 kg	3,0 kg	3,2 kg	3,0 kg	3,2 kg	3,0 kg	3,3 kg
Akkublock	BL 1415 / BL 1415N	BL 1430 / BL 1430B / BL 1440 / BL 1450 / BL 1460B	BL 1815 / BL 1815N / BL 1820 / BL 1820B	BL 1830 / BL 1830B / BL 1840 / BL 1840B / BL 1850 / BL 1850B / BL 1860B	BL 1415 / BL 1415N	BL 1430 / BL 1430B / BL 1440 / BL 1450 / BL 1460B	BL 1815 / BL 1815N / BL 1820 / BL 1820B	BL 1830 / BL 1830B / BL 1840 / BL 1840B / BL 1850 / BL 1850B / BL 1860B
Akkuladegerät	DC18RC, DC18SD							

- Aufgrund der laufenden Forschung und Entwicklung unterliegen die hier aufgeführten technischen Daten Veränderungen ohne Hinweis
- Die Technischen Daten und der Akkublock können in den einzelnen Ländern abweichen.
- Gewicht, mit Akkublock, ermittelt gemäß EPTA-Verfahren 01/2003

### Symbol

Nachstehend sind Symbole aufgeführt, auf die Sie beim Werkzeuggebrauch stoßen können. Sie sollten noch vor Arbeitsbeginn ihre Bedeutung kennen.



Lesen Sie die vorliegende Bedienungsanleitung.



Setzen Sie die Säge keinem Regen aus.



Nur für EU-Länder  
Entsorgen Sie Elektrowerkzeuge, Batterien und Akkus nicht über den Hausmüll!  
Gemäß der Europäischen Richtlinie über Elektro- und Elektronik- Altgeräte und über Batterien und Akkumulatoren sowie Altbatterien und Altakkumulatoren und ihrer Umsetzung in nationales Recht müssen verbrauchte Elektrowerkzeuge sowie Altbatterien und Altakkumulatoren getrennt gesammelt und einer umweltgerechten Wiederverwertung zugeführt werden.

### Verwendungszweck

Das Werkzeug wurde für das Schneiden von Hecken entwickelt.

### Geräuschpegel

Die typischen A-bewerteten Geräuschpegel, bestimmt gemäß EN60745:

#### Modell DUH481, DUH483, DUH521

Schalldruckpegel ( $L_{pA}$ ): 75 dB (A)

Abweichung (K): 2,5 dB (A)

Unter Arbeitsbedingungen kann der Schalldruckpegel 80 dB (A) überschreiten.

#### Modell DUH523

Schalldruckpegel ( $L_{pA}$ ): 77 dB (A)

Abweichung (K): 2,5 dB (A)

Unter Arbeitsbedingungen kann der Schalldruckpegel 80 dB (A) überschreiten.

**Tragen Sie Gehörschutz**

### Schwingung

Schwingungsgesamtwerte (Vektorsumme dreier Achsen) nach EN60745:

Arbeitsmodus: Hecke Schneiden

Schwingungsbelastung ( $a_h$ ): 2,5 m/s<sup>2</sup> oder weniger  
Abweichung (K): 1,5 m/s<sup>2</sup>

**HINWEIS:** Die deklarierte Schwingungsbelastung wurde gemäß der Standardtestmethode gemessen und kann für den Vergleich von Werkzeugen untereinander verwendet werden.

**HINWEIS:** Die deklarierte Schwingungsbelastung kann auch in einer vorläufigen Bewertung der Gefährdung verwendet werden.

**⚠️ WARNUNG:** Die Schwingungsbelastung während der tatsächlichen Anwendung des Elektrowerkzeugs kann in Abhängigkeit von der Art und Weise der Verwendung des Werkzeugs vom deklarierten Belastungswert abweichen.

**⚠️ WARNUNG:** Stellen Sie sicher, dass Schutzmaßnahmen für den Bediener getroffen werden, die auf den unter den tatsächlichen Arbeitsbedingungen zu erwartenden Belastungen beruhen (beziehen Sie alle Bestandteile des Arbeitsablaufs ein, also zusätzlich zu den Arbeitszeiten auch Zeiten, in denen das Werkzeug ausgeschaltet ist oder ohne Last läuft).

Nur für europäische Länder

## EG-Konformitätserklärung

**Makita erklärt, dass die nachfolgende(n) Maschine(n):**

Bezeichnung des Geräts:  
Akku-Heckenschere  
Nummer / Typ des Modells:  
DUH481,DUH483,DUH521,DUH523  
Technische Daten: siehe Tabelle „TECHNISCHE DATEN“.

**Den folgenden EG-Richtlinien entspricht:**

2000/14/EG, 2006/42/EG

Sie werden gemäß den folgenden Standards oder Normen gefertigt:

EN60745

Die technischen Unterlagen gemäß 2006/42/EG sind erhältlich von:

Makita, Jan-Baptist Vinkstraat 2, 3070, Belgien

Das Verfahren der Konformitätsbewertung, das in der Richtlinie 2000/14/EG verlangt wird, wurde in Übereinstimmung mit Anhang V durchgeführt.

Modell DUH481

Gemessener Schallleistungspegel: 83,2 dB (A)  
Garantierter Schallleistungspegel: 86 dB (A)

Modell DUH483

Gemessener Schallleistungspegel: 83,8 dB (A)  
Garantierter Schallleistungspegel: 88 dB (A)

Modell DUH521

Gemessener Schallleistungspegel: 82,9 dB (A)  
Garantierter Schallleistungspegel: 86 dB (A)

Modell DUH523

Gemessener Schallleistungspegel: 84,3 dB (A)  
Garantierter Schallleistungspegel: 89 dB (A)

28.4.2015



Yasushi Fukaya  
Direktor

Makita, Jan-Baptist Vinkstraat 2, 3070, Belgien

## Allgemeine Sicherheitshinweise für Elektrowerkzeuge

**⚠️ WARNUNG Lesen Sie alle Sicherheitswarnungen und -anweisungen sorgfältig durch.** Werden die Warnungen und Anweisungen ignoriert, besteht die Gefahr eines Stromschlags, Brands und/oder schweren Verletzungen.

**Bewahren Sie alle Warnhinweise und Anweisungen zur späteren Referenz gut auf.**

## SICHERHEITSHINWEISE ZUR AKKU-HECKENSCHERE

- Halten Sie mit allen Körperteilen Abstand zum Schneidblatt. Entfernen Sie kein geschnittenes Material oder halten Sie kein zu schneidendes Material, wenn sich die Blätter bewegen. Überprüfen Sie, dass der Schalter aus ist, wenn Sie verklemmtes Material entfernen.** Ein Moment der Unachtsamkeit kann beim Umgang mit der Heckenschere zu schweren Personenschäden führen.
- Tragen Sie die Heckenschere mit angehaltenem Schneidblatt am Griff. Transportieren und lagern Sie die Heckenschere immer mit aufgesetztem Schutz über dem Schneidblatt.** Durch einen sachgemäßen Umgang mit der Heckenschere können Sie mögliche Personenschäden durch die Schneidblätter vermindern.
- Halten Sie das Werkzeug ausschließlich an den isolierten Griffflächen, da die Schneidmesser verborgene Kabel berühren können.** Bei Kontakt der Schneidmesser mit einem stromführenden Kabel wird der Strom an die Metallteile des Elektrowerkzeugs und dadurch an den Bediener weitergeleitet, und der Bediener erleidet einen Stromschlag.
- Verwenden Sie die Heckenschere nicht, während es regnet, oder bei nassen oder sehr feuchten Bedingungen. Der Elektromotor ist nicht wasserdicht.
- Erstmalige Anwender sollten sich von erfahrenen Anwendern die Verwendung der Heckenschere zeigen lassen.
- Kinder und Jugendliche unter 18 Jahren dürfen die Heckenschere nicht bedienen. Jugendliche über 16 Jahren sind von diesem Verbot ausgenommen, wenn sie zum Zweck der Ausbildung unter Aufsicht eines Fachkundigen stehen.
- Betreiben Sie die Heckenschere nur, wenn Sie in guter physischer Verfassung sind. Falls Sie müde sind, lässt Ihre Aufmerksamkeit nach. Seien Sie am Ende eines Arbeitstages besonders aufmerksam. Führen Sie alle Arbeiten ruhig und sorgfältig durch. Der Anwender ist für alle Schäden an Dritten verantwortlich.
- Verwenden Sie die Heckenschere niemals unter Einfluss von Alkohol, Drogen oder Medikamenten.
- Arbeitshandschuhe aus festem Leder sind Teil der Grundausstattung der Heckenschere und müssen stets bei Arbeiten mit der Heckenschere getragen werden. Tragen Sie außerdem feste Schuhe mit rutschfesten Sohlen.
- Überprüfen Sie vor Beginn der Arbeiten, ob die Heckenschere ordnungsgemäß und sicher arbeitet. Stellen Sie sicher, dass Sicherheitsabdeckungen ordnungsgemäß angebracht sind. Die Heckenschere darf nur vollständig montiert verwendet werden.
- Überprüfen Sie vor Beginn der Arbeiten, dass Sie einen sicheren Stand haben.
- Halten Sie das Werkzeug bei Verwendung sicher fest.

13. Lassen Sie das Werkzeug nicht unnötig ohne Last laufen.
14. Schalten Sie den Motor sofort aus und ziehen Sie den Akkublock ab, wenn die Schere mit einem Zaun oder einem anderen harten Gegenstand in Kontakt kam. Überprüfen Sie die Schere auf Beschädigungen, und reparieren Sie sie bei Bedarf.
15. Schalten Sie die Heckenschere stets aus und ziehen Sie den Akkublock ab, bevor Sie die Schere überprüfen, Fehler beheben oder in der Schere verklemmtes Material entfernen.
16. Schalten Sie die Schere aus und ziehen Sie den Akkublock ab, bevor Sie Wartungsarbeiten am Werkzeug ausführen.
17. Ziehen Sie stets den Akkublock und bringen Sie stets die Schneidblattabdeckung auf den Schneidblättern an, wenn Sie die Heckenschere an einen anderen Ort umsetzen, auch im Verlauf der Arbeiten. Tragen oder transportieren Sie die Heckenschere niemals mit laufenden Schneidblättern. Fassen Sie die Schneidmesser niemals mit den Händen an.
18. Reinigen Sie die Heckenschere und besonders das Schneidblatt nach der Verwendung und vor der Lagerung der Heckenschere über einen längeren Zeitraum. Ölen Sie das Schneidblatt leicht und bringen Sie die Abdeckung an. Die mit dem Gerät gelieferte Abdeckung kann an die Wand gehängt werden und bietet so eine sichere und praktische Möglichkeit zur Lagerung der Heckenschere.
19. Lagern Sie die Heckenschere mit angebrachter Abdeckung in einem trockenem Raum. Lagern Sie die Heckenschere außerhalb der Reichweite von Kindern. Lagern Sie die Heckenschere niemals im Freien.
3. Falls die Betriebsdauer erheblich kürzer wird, beenden Sie den Betrieb umgehend. Andernfalls besteht die Gefahr einer Überhitzung sowie das Risiko möglicher Verbrennungen und sogar einer Explosion.
4. Wenn Elektrolyt in Ihre Augen gerät, waschen Sie diese mit klarem Wasser aus, und suchen Sie sofort einen Arzt auf. Andernfalls können Sie Ihre Sehfähigkeit verlieren.
5. Der Akkublock darf nicht kurzgeschlossen werden.
  - (1) Die Kontakte dürfen nicht mit leitendem Material in Berührung kommen.
  - (2) Der Akkublock darf nicht in einem Behälter aufbewahrt werden, in dem sich andere metallische Gegenstände wie beispielsweise Nägel, Münzen usw. befinden.
  - (3) Der Akkublock darf weder Feuchtigkeit noch Regen ausgesetzt werden.
- Ein Kurzschluss des Akkus kann zu hohem Kriechstrom, Überhitzung, möglichen Verbrennungen und sogar zu einer Zerstörung des Geräts führen.
6. Werkzeug und Akkublock dürfen nicht an Orten aufbewahrt werden, an denen die Temperatur 50°C (122°F) oder höher erreichen kann.
7. Selbst wenn der Akkublock schwer beschädigt oder völlig verbraucht ist, darf er nicht angezündet werden. Der Akkublock kann in den Flammen explodieren.
8. Lassen Sie den Akku nicht fallen, und vermeiden Sie Schläge gegen den Akku.
9. Verwenden Sie einen beschädigten Akkublock nicht.
10. Befolgen Sie die in Ihrem Land geltenden Bestimmungen bzgl. der Entsorgung von Akkus.

## BEWAHREN SIE DIESE ANWEISUNGEN AUF.

**⚠️ WARNUNG:** Lassen Sie sich NIE durch Bequemlichkeit oder (aus fortwährendem Gebrauch gewonnener) Vertrautheit mit dem Werkzeug dazu verleiten, die Sicherheitsregeln für das Werkzeug zu missachten. Bei MISSBRÄUCLICHER Verwendung des Werkzeugs oder Missachtung der in diesem Handbuch enthaltenen Sicherheitshinweise kann es zu schweren Verletzungen kommen.

## WICHTIGE SICHERHEITSANWEISUNGEN

### FÜR AKKUBLOCK

1. Lesen Sie vor der Verwendung des Akkublocks alle Anweisungen und Sicherheitshinweise für (1) das Akkuladegerät, (2) den Akku und (3) das Produkt, für das der Akku verwendet wird.
2. Der Akkublock darf nicht zerlegt werden.

## BEWAHREN SIE DIESE ANWEISUNGEN AUF.

### Tipps für den Erhalt der maximalen Akku-Nutzungsdauer

1. Laden Sie den Akkublock auf, bevor er ganz entladen ist. Beenden Sie stets den Betrieb des Werkzeugs, und laden Sie den Akkublock auf, sobald Sie eine verringerte Werkzeugeistung bemerken.
2. Laden Sie einen voll geladenen Akkublock nicht noch einmal auf. Eine Überladung verkürzt die Lebensdauer des Akkus.
3. Laden Sie den Akkublock bei einer Zimmertemperatur von 10°C - 40°C (50°F - 104°F) auf. Lassen Sie einen heißen Akkublock vor dem Aufladen abkühlen.
4. Laden Sie den Akkublock auf, wenn Sie diesen für längere Zeit nicht verwenden (mehr als sechs Monate).

# FUNKTIONSBESCHREIBUNG

## ⚠ VORSICHT:

- Schalten Sie das Werkzeug stets aus und entfernen Sie den Akkublock, bevor Sie Einstellungen oder eine Funktionsprüfung des Werkzeugs vornehmen.

## Montage und Demontage des Akkublocks

► **Abb.1:** 1. Rote Anzeige 2. Taste 3. Akkublock

## ⚠ VORSICHT:

- Schalten Sie das Werkzeug immer aus, bevor Sie den Akkublock einsetzen oder entnehmen.
- **Halten Sie das Werkzeug und den Akkublock sicher fest, wenn Sie den Akkublock einsetzen oder herausnehmen.** Andernfalls könnte Ihnen das Werkzeug oder der Akkublock aus den Händen fallen, sodass das Werkzeug oder der Akkublock beschädigt werden oder diese Verletzungen verursachen.

Zum Entnehmen des Akkublocks müssen Sie die Taste auf der Vorderseite des Akkublocks schieben und gleichzeitig den Akkublock aus dem Werkzeug herausziehen. Zum Einsetzen des Akkublocks müssen Sie die Zunge des Akkublocks an der Rille im Gehäuse ausrichten und in die gewünschte Position schieben. Setzen Sie den Akkublock ganz ein, bis er mit einem Klick einrastet. Wenn Sie den roten Bereich oben auf der Taste sehen können, ist der Akkublock nicht ganz eingerastet.

## ⚠ VORSICHT:

- Setzen Sie den Akkublock unbedingt ganz ein, bis der rote Bereich nicht mehr zu sehen ist. Andernfalls kann der Akkublock versehentlich aus dem Werkzeug fallen und Sie oder Personen in Ihrem Umfeld verletzen.
- Setzen Sie den Akkublock nicht mit Gewalt ein. Wenn der Akkublock nicht leicht hineingleitet, ist er nicht richtig angesetzt.

## Akku-Schutzsystem (Lithium-Ionen-Akku ist mit einem Stern gekennzeichnet)

► **Abb.2:** 1. Sternmarkierung

Mit einem Stern gekennzeichnete Lithium-Ionen-Akkus verfügen über ein Schutzsystem. Dieses System schaltet die Stromversorgung des Werkzeugs automatisch aus, um die Lebensdauer des Akkus zu verlängern.

Unter folgenden Bedingungen des Werkzeugs und/oder des Akkus kann das Werkzeug während des Betriebs automatisch stoppen:

- **Überlastet:**  
Das Werkzeug wird auf eine Weise betrieben, die zu einer anormal hohen Stromaufnahme führt. Lassen Sie in dieser Situation den Ein/Aus-Schalter am Werkzeug los und beenden Sie die Anwendung, die zu einer Überlastung des Werkzeuges geführt hat. Betätigen Sie dann zum Neustart noch einmal den Ein/Aus-Schalter. Wenn das Werkzeug nicht startet, ist der Akku überhitzt. Lassen Sie in dieser Situation den Akku erst abkühlen, bevor Sie wieder den Ein/Aus-Schalter betätigen.
















- **Spannung des Akkus zu niedrig:**  
Die noch vorhandene Akkuladung ist zu niedrig, und das Werkzeug startet nicht. Entnehmen Sie in dieser Situation den Akku und laden Sie den Akku wieder auf.

## Anzeigen der Restladung des Akkus

(Nur für Akkublocke mit einem "B" am Ende der Modellnummer.)

► **Abb.3:** 1. Anzeigelampen 2. Taste CHECK

Drücken Sie zum Anzeigen der Restladung des Akkus die Akkuprüftaste. Die Anzeigelampen leuchten dann wenige Sekunden lang auf.

Anzeigelampen			Verbleibende Akkuladung
 Leuchtet	 OFF (AUS)	 Blinkt	
			75 % bis 100 %
			50 % bis 75 %
			25 % bis 50 %
			0 % bis 25 %
			Laden Sie den Akku auf.
			Möglicherweise liegt ein Defekt des Akkus vor.

## HINWEIS:

- In Abhängigkeit von den Bedingungen bei Gebrauch und von der Umgebungstemperatur kann der angezeigte Ladezustand geringfügig vom tatsächlichen Ladezustand abweichen.

## Einschalten

### ⚠ VORSICHT:

- Achten Sie vor dem Einsetzen des Akkublocks in das Werkzeug darauf, dass sich der Auslöseschalter korrekt bedienen lässt und beim Loslassen auf die Position "OFF" (AUS) zurückkehrt.

► **Abb.4:** 1. Griffschalter A 2. Griffschalter B 3. Entsperrungstaste

Zu Ihrer Sicherheit ist das Werkzeug mit einem Zweifach-Schaltersystem ausgestattet. Zum Einschalten des Werkzeugs drücken Sie die Arretiertaste und die Auslöser A und B. Lassen Sie zum Ausschalten einen der zwei gedrückten Auslöser los. Die Reihenfolge der Schalterbetätigung ist unwichtig, da das Gerät nur startet, wenn beide Schalter betätigt werden.

## Anzeigenleuchte

### ► Abb.5: 1. Anzeigenleuchte

Bei eingeschaltetem Werkzeug zeigt die Anzeige den Ladezustand des Akkublocks an. Wenn das Werkzeug überlastet wurde und während des Betriebs ausgeschaltet hat, leuchtet die Anzeige rot. Die verschiedenen Anzeigen und die entsprechenden Vorgehensweisen finden Sie in der folgenden Tabelle.

Anzeigenleuchte	Status	Auszuführende Maßnahme
Die Anzeige blinkt rot.	Dies gibt den passenden Zeitpunkt zum Austausch des Akkublocks an, sobald dessen Leistung nachlässt.	Laden Sie den Akkublock möglichst bald auf.
Die Anzeige leuchtet rot. (Hinweis 1)	Diese Funktion wird aktiviert, wenn der Akku beinahe leer ist. Das Werkzeug wird dann sofort ausgeschaltet.	Laden Sie den Akkublock auf.
Die Anzeige leuchtet rot. (Hinweis 1)	Das Werkzeug hat sich wegen Überlastung automatisch ausgeschaltet.	Schalten Sie das Werkzeug aus.

Hinweis 1: Bei welchem Ladezustand die Anzeige aufleuchtet, ist von der Temperatur am Arbeitsort und vom Zustand des Akkublocks abhängig.

## ARBEIT

### ▲ VORSICHT:

- Achten Sie darauf, dass Sie während des Schneidens nicht versehentlich mit einem metallischen Anschlag oder anderen harten Gegenständen in Berührung kommen. Das Schneidblatt kann brechen und schwere Verletzungen verursachen.
- Das weite Hinauslehnen mit einer Heckenschere, vor allem von einer Leiter aus, ist äußerst gefährlich. Arbeiten Sie niemals von einem wackligen oder unsicheren Standort aus.

**ANMERKUNG: Versuchen Sie nicht, Äste von mehr als 10 mm Durchmesser mit dem Werkzeug zu schneiden.** Schneiden Sie Äste vor Gebrauch dieses Werkzeugs mit Astschneidern auf 10 cm unter der Schnitthöhe.

► **Abb.6:** (1) Schnitthöhe (2) 10 cm

### ▲ VORSICHT:

- Schneiden Sie keine toten Äste oder ähnliche harte Gegenstände ab. Zuwiderhandlungen können das Werkzeug beschädigen.

► **Abb.7**

Halten Sie die Heckenschere mit beiden Händen und betätigen Sie den Schalter A oder B. Bewegen Sie anschließend die Heckenschere vor Ihrem Körper.

► **Abb.8:** 1. Schneidrichtung 2. Zu schneidende Heckenfläche 3. Neigung der Blätter

Neigen Sie im Grundbetrieb die Schneidblätter in Richtung der Trimmerichtung und bewegen Sie die Heckenschere ruhig und langsam mit einer Geschwindigkeit von 3 bis 4 Sekunden pro Meter.

► **Abb.9:** 1. Schnur

Zum geraden Schneiden einer Heckenoberkante können Sie eine Schnur in der gewünschten Heckenhöhe spannen und diese beim Schneiden als Referenzlinie verwenden.

► **Abb.10**

Befestigen Sie beim Schneiden der Heckengerade die Spanaufnahme (Sonderzubehör) am Werkzeug, um ein Umherfliegen der Blätter zu vermeiden.

► **Abb.11**

Zum gleichmäßigen Schneiden der Heckenseite schneiden Sie diese von unten nach oben.

► **Abb.12**

Schneiden Sie Buchsbaum oder Rhododendron für ein hübsches Aussehen und einen guten Schnitt von der Basis zur Spitze.

## Montage und Demontage der Spanaufnahme (Sonderzubehör)

### ▲ VORSICHT:

- Schalten Sie das Werkzeug aus und ziehen Sie den Stecker, bevor Sie die Spanaufnahme einsetzen oder entfernen.

#### HINWEIS:

- Tragen Sie beim Austauschen der Spanaufnahme immer Arbeitshandschuhe, sodass Sie das Schneidblatt nicht direkt mit den Händen berühren. Anderenfalls kann es zu Verletzungen kommen.
- Achten Sie vor dem Einsetzen der Spanaufnahme darauf, dass Sie die Schneidblattabdeckung entfernt haben.
- Die Spanaufnahme fängt die abgeschnittenen Blätter auf und erleichtert das Aufsammeln der abgefallenen Blätter. Die Spanaufnahme kann an jeder Seite des Werkzeugs befestigt werden.

► **Abb.13:** 1. Drücken 2. Spanaufnehmer 3. Mutter 4. Schneidblatt

Drücken Sie die Spanaufnahme auf die Schneidblätter, sodass die Schlitze die Muttern auf den Schneidblättern überdecken.

► **Abb.14:** 1. Haken 2. Einpassen der Haken in die Kerbe 3. Nuten

Zu diesem Zeitpunkt muss die Spanaufnahme angebracht werden, damit die Haken in die Kerben im Schneidblatt passen.

► **Abb.15:** 1. Drücken der Hebel an beiden Seiten 2. Lösen der Haken

Zum Entfernen der Spanaufnahme drücken Sie den Hebel an beiden Seiten, sodass die Haken freigegeben werden.

#### ⚠ VORSICHT:

- Die Schneidblattabdeckung (Standardausrüstung) kann bei angebrachter Spanaufnahme nicht montiert werden. Entfernen Sie vor dem Transport oder der Lagerung die Spanaufnahme und bringen Sie die Schneidblattabdeckung an, um ein Freiliegen des Blattes zu vermeiden.

#### HINWEIS:

- Prüfen Sie vor der Verwendung die sichere Installation der Spanaufnahme.
- Wenden Sie beim Entfernen der Spanaufnahme keine übermäßigen Kräfte an, wenn die Haken in den Blattkerben eingerastet sind. Die Anwendung übermäßiger Kräfte kann zu Beschädigungen führen.

## WARTUNG

#### ⚠ VORSICHT:

- Schalten Sie das Werkzeug stets aus und entfernen Sie den Akkublock, bevor Sie Inspektionen oder Wartungsarbeiten am Werkzeug vornehmen.

## Reinigen des Werkzeugs

Reinigen Sie das Werkzeug, indem Sie den Staub mit einem trockenen oder in Seifenlösung getunkten Lappen abwischen.

#### ⚠ VORSICHT:

- Verwenden Sie zum Reinigen niemals Kraftstoffe, Benzin, Verdünnern, Alkohol oder ähnliches. Dies kann zu Verfärbungen, Verformungen oder Rissen führen.

## Wartung des Sägeblatts

Schmieren Sie das Blatt vor dem Betrieb und nach jeder Betriebsstunde mit Maschinenöl oder ähnlichem.

#### HINWEIS:

- Nehmen Sie vor dem Schmieren des Messers die Spanaufnahme ab.

Entfernen Sie nach dem Betrieb den Staub von beiden Seiten des Blattes mit einer Drahtbürste, wischen Sie den Staub mit einem Lappen ab und tragen Sie anschließend dünnflüssiges Öl, z.B. Maschinenöl usw., oder Sprüschmieröl auf.

#### ⚠ VORSICHT:

- Waschen Sie die Blätter nicht mit Wasser ab. Zuwiderhandlungen können zum Rosten führen oder das Werkzeug beschädigen.

## Montage und Demontage des Schneidblatts

#### ⚠ VORSICHT:

- Schalten Sie das Werkzeug aus und ziehen Sie den Akkublock ab, bevor Sie das Schneidmesser an- oder abbauen.
- Tragen Sie beim Austauschen des Schneidblattes immer Arbeitshandschuhe und entfernen Sie die Blattabdeckung nicht, sodass Sie das Schneidblatt nicht direkt mit den Händen berühren. Anderenfalls kann es zu Verletzungen kommen.

#### HINWEIS:

- Wischen Sie aus dem Getriebe und von der Kurbelwelle keine Schmiere ab. Zuwiderhandlungen können das Werkzeug beschädigen.

## Ausbauen der Schneidblätter

► **Abb.16:** 1. Schrauben 2. Untere Abdeckung

Drehen Sie das Werkzeug um, lösen Sie die vier Schrauben und nehmen Sie die untere Abdeckung ab.

#### HINWEIS:

- Achten Sie darauf, dass Sie sich Ihre Hände nicht beschmieren, denn im Antriebsbereich des Schneidblattes wurde Schmiermittel aufgetragen.

► **Abb.17:** 1. Schrauben 2. Schaumstoff 3. Unterlegscheibe

Lösen Sie die vier Schrauben, und nehmen Sie die Schneidblätter ab. Nehmen Sie die Unterlegscheibe und den Schaumstoff von den Schneidmessern ab und legen Sie dies beiseite. Dies wird für den späteren Einbau benötigt.

- **Abb.18:** 1. Zahnrad 2. Hülsen 3. Unterlegscheibe  
4. Rille

Falls die Hülsen in den Löchern im Zahnrad verbleiben, entfernen Sie das Zahnrad und drücken Sie die Hülsen mit einem Schraubendreher oder ähnlichem heraus.

**HINWEIS:** Die Unterlegscheibe unter dem Zahnrad kommt möglicherweise beim Entnehmen des Zahnrad mit heraus. Setzen Sie sie wieder in die ursprüngliche Position ein.

## Einbauen des Schneidblattes

- **Abb.19:** 1. Sägeblattabdeckung

Nehmen Sie die Blattabdeckung von den alten Schneidblättern ab und passen Sie diese auf die neuen an, um einen Kontakt mit den Blättern zu vermeiden.

- **Abb.20**

Passen Sie die Lochpositionen durch Drehen des Zahnrad an.

- **Abb.21:** 1. Fett

- **Abb.22:** 1. Fett

Tragen Sie etwas Schmiermittel auf die neuen Schneidblätter auf.

- **Abb.23:** 1. Sägeblatt 2. Schaumstoff 3. Hülsen

Setzen Sie den entfernten Schaumstoff in die gleiche Position wie vorher ein. Stellen Sie sicher, dass die mit den neuen Schneidblättern gelieferten Hülsen auf die Stifte am Schneidblatt aufgesetzt sind. Platzieren Sie die neuen Schneidblätter so auf dem Werkzeug, dass die Stifte in die Löcher am Zahnrad passen. Falls die Hülsen auf den Stiften versehentlich entfernt wurden, setzen Sie diese vorher wieder in die Löcher im Zahnrad ein.

- **Abb.24:** 1. Schrauben 2. Unterlegscheibe

Befestigen Sie das Schneidblatt und ziehen Sie die vier Schrauben fest. Setzen Sie die entfernte Unterlegscheibe wieder in die gleiche Position wie die alte ein.

- **Abb.25:** 1. Schrauben

Befestigen Sie die untere Abdeckung am Werkzeug und ziehen Sie die vier Schrauben fest.

## Lagerung

Zum Aufhängen des Werkzeugs an einem Nagel oder einer Schraube in der Wand ist der Hakendurchbruch im unteren Bereich der Messerabdeckung praktisch.

- **Abb.26**

Nehmen Sie den Akkublock heraus und bringen Sie die Messerabdeckung auf den Schneidmessern an, damit die Messer nicht frei liegen. Bewahren Sie das Werkzeug außerhalb der Reichweite von Kindern auf. Bewahren Sie das Werkzeug an einem Platz auf, wo es weder Wasser noch Regen ausgesetzt ist. Zur Aufrechterhaltung der SICHERHEIT und ZUVERLÄSSIGKEIT des Produkts müssen die Reparaturen und alle Wartungen und Einstellungen von den autorisierten Servicestellen der Firma Makita und unter Verwendung der Ersatzteile von Makita durchgeführt werden.

## SONDERZUBEHÖR

### ⚠ VORSICHT:

- Für Ihr Werkzeug Makita, das in dieser Anleitung beschrieben ist, empfehlen wir folgende Zubehörteile und Aufsätze zu verwenden. Bei der Verwendung anderer Zubehörteile oder Aufsätze kann die Verletzungsgefahr für Personen drohen. Die Zubehörteile und Aufsätze dürfen nur für ihre festgelegten Zwecke verwendet werden.

Wenn Sie nähere Informationen bezüglich dieses Zubehörs benötigen, wenden Sie sich bitte an Ihre örtliche Servicestelle der Firma Makita.

- Schneidblattabdeckung
- Schneidblatt-Baugruppe
- Originalakku und Ladegerät von Makita
- Spanaufnehmer

### HINWEIS:

- Einige der in der Liste aufgeführten Elemente sind dem Werkzeugpaket als Standardzubehör beigelegt. Diese können in den einzelnen Ländern voneinander abweichen.

# RÉSZLETES LEÍRÁS

Modell	DUH481		DUH483		DUH521		DUH523	
Kés hossza	480 mm				520 mm			
Löketszám percenként (min <sup>-1</sup> )	1350							
Névleges feszültség	14,4 V, egyenáram		18 V, egyenáram		14,4 V, egyenáram		18 V, egyenáram	
Teljes hossz	869 mm	881 mm	873 mm	888 mm	919 mm	931 mm	923 mm	938 mm
Tiszta tömeg	2,9 kg	3,1 kg	3,0 kg	3,2 kg	3,0 kg	3,2 kg	3,0 kg	3,3 kg
Akkumulátor	BL 1415 / BL 1415N	BL 1430 / BL 1430B / BL 1440 / BL 1450 / BL 1460B	BL 1815 / BL 1815N / BL 1820 / BL 1820B	BL 1830 / BL 1830B / BL 1840 / BL 1840B / BL 1850 / BL 1850B / BL 1860B	BL 1415 / BL 1415N	BL 1430 / BL 1430B / BL 1440 / BL 1450 / BL 1460B	BL 1815 / BL 1815N / BL 1820 / BL 1820B	BL 1830 / BL 1830B / BL 1840 / BL 1840B / BL 1850 / BL 1850B / BL 1860B
Akkumulátortöltő	DC18RC, DC18SD							

- Folyamatos kutató- és fejlesztőprogramunk eredményeként az itt felsorolt tulajdonságok figyelmeztetés nélkül megváltozhatnak.
- A műszaki adatok és az akkumulátor országoként változhatnak.
- Súly az akkumulátorral, a 01/2003 EPTA eljárás szerint meghatározva

## Jelölés

A következőkben a berendezésen használt jelképek láthatók. A szerszám használata előtt bizonyosodjon meg arról hogy helyesen értelmezi a jelentésüket.



Olvassa el a használati útmutatót.



Ne tegye ki a szerszámot esőnek.



Csak EU-tagállamok számára  
Az elektromos berendezéseket és akkumulátorokat ne dobja a háztartási szemétkébe!  
A használt elektromos és elektronikus berendezésekről szóló európai uniós irányelv, illetve az elemekről és akkumulátorokról, valamint a hulladékelemekről és akkumulátorokról szóló irányelv, továbbá azoknak a nemzeti jogba való átültetése szerint az elhasznált elektromos berendezéseket, elemeket és akkumulátorokat külön kell gyűjteni, és környezetbarát módon kell gondoskodni újrahasznosításukról.

## Rendeltetésszerű használat

A szerszám a sövény nyírására szolgál.

### Zaj

A tipikus A-súlyozású zajszint, az EN60745 szerint meghatározva:

**Típus DUH481, DUH483, DUH521**

Hangnyomáásszint (L<sub>PA</sub>): 75 dB (A)

Tűrés (K): 2,5 dB (A)

A zajszint a munkavégzés során meghaladhatja a 80 dB (A) értéket.

**Típus DUH523**

Hangnyomáásszint (L<sub>PA</sub>): 77 dB (A)

Tűrés (K): 2,5 dB (A)

A zajszint a munkavégzés során meghaladhatja a 80 dB (A) értéket.

**Viseljen fülvédőt**

## Vibráció

A vibráció teljes értéke (háromtengelyű vektorösszeg) EN60745 szerint meghatározva:

Munka mód: sövényvágás

Rezgéskibocsátás (a): 2,5 m/s<sup>2</sup> vagy kevesebb  
Tűrés (K): 1,5 m/s<sup>2</sup>

**MEGJEGYZÉS:** A rezgéskibocsátás értéke a szabványos vizsgálati eljárásnak megfelelően lett mérve, és segítségével az elektromos kéziszerszámok összehasonlíthatók egymással.

**MEGJEGYZÉS:** A rezgéskibocsátás értékének segítségével előzetesen megbecsülhető a rezgésnek való kitettség mértéke.

**FIGYELMEZTETÉS:** A szerszám rezgéskibocsátása egy adott alkalmazásnál eltérhet a megadott értéktől a használat módjától függően.

**FIGYELMEZTETÉS:** Határozza meg a kezelő védelmét szolgáló munkavédelmi lépéseket, melyek az adott munkafeltételek melletti vibrációs hatás becsült mértékén alapulnak (figyelembe véve a munkaciklus elemeit, mint például a gép leállításának és üresjáratának mennyiségét az elindítások száma mellett).



## Csak európai országokra vonatkozóan

### EK Megfelelőségi nyilatkozat

#### A Makita kijelenti, hogy az alábbi gép(ek):

Gép megnevezése:  
Vezeték nélküli sövényvágó  
Típuszám/ Típus:  
DUH481,DUH483,DUH521,DUH523  
Műszaki adatok: lásd a „RÉSZLETES LEÍRÁS”  
táblázatban.

#### Megfelel a következő Európai direktíváknak:

2000/14/EK, 2006/42/EK

Gyártása a következő szabványoknak, valamint szabványosított dokumentumoknak megfelelően történt:  
EN60745

A műszaki leírás a 2006/42/EK előírásainak megfelelően elérhető innen:

Makita, Jan-Baptist Vinkstraat 2, 3070, Belgium

A 2000/14/EK irányelv által előírt megfelelésértékelési eljárásokat a(z) V melléklet tartalmazza.

Típus DUH481

Mért hangteljesítményszint: 83,2 dB (A)  
Garantált hangteljesítményszint: 86 dB (A)

Típus DUH483

Mért hangteljesítményszint: 83,8 dB (A)  
Garantált hangteljesítményszint: 88 dB (A)

Típus DUH521

Mért hangteljesítményszint: 82,9 dB (A)  
Garantált hangteljesítményszint: 86 dB (A)

Típus DUH523

Mért hangteljesítményszint: 84,3 dB (A)  
Garantált hangteljesítményszint: 89 dB (A)

28.4.2015



Yasushi Fukaya  
Igazgató

Makita, Jan-Baptist Vinkstraat 2, 3070, Belgium

### A szerszámgépekre vonatkozó általános biztonsági figyelmeztetések

**⚠ FIGYELEM** Olvassa el az összes biztonsági figyelmeztetést és utasítást. Ha nem tartja be a figyelmeztetéseket és utasításokat, akkor áramütést, tüzet és/vagy súlyos sérülést okozhat.

**Őrizzen meg minden figyelmeztetést és utasítást a későbbi tájékozódás érdekében.**

### A VEZETÉK NÉLKÜLI SÖVENYVÁGÓRA VONATKOZÓ BIZTONSÁGI FIGYELMEZTETÉSEK

1. **Tartsa távol a testrészeit a vágókéstől. Ne távolítsa el a levágott anyagot, és ne tartsa a levágni kívánt anyagot, ha a kések mozognak. Ügyeljen rá, hogy kikapcsolja, mielőtt eltávolítja az elakadt anyagot.** A sövényvágó használata közben egy figyelmetlen pillanat is komoly személyi sérüléshez vezethet.
2. **A sövényvágót a fogantyúnál fogva, leállított vágókéssel szállítsa. A sövényvágó szállításkor vagy tárolásakor mindig rakja fel a vágóeszköz fedelét.** A sövényvágó helyes kezelése lecsökkenti a vágókések okozta személyi sérülések bekövetkeztének valószínűségét.
3. **Kizárólag a szigetelt markolási felületeinél fogva tartsa az elektromos szerszámot, mivel fennáll a veszélye, hogy a vágókés rejtett vezetékbe ütközik.** A vágókés feszültség alatt lévő vezetékkel való érintkezéskor a szerszám fém alkatrészei is áram alá kerülnek, és áramütés érheti a kezelőt.
4. Ne használja a sövényvágót esőben, nedves vagy nagyon páras körülmények között. Az elektromos motor nem vízálló.
5. A szerszámot először használó személyeknek egy tapasztalt sövénynyíróknak kell megmutatnia a vágó használatát.
6. 18 év alatti fiatalok vagy gyerekek nem használhatják a sövényvágót. 16 év feletti fiatalok mentesülhetnek ezen tilalom alól, ha szakember részvételével betanításban részesülnek.
7. Csak akkor használja a sövényvágót, ha jó fizikai állapotban van. A fáradtság például figyelmetlenséghez vezethet. Különös figyelmet kell fordítani a munkanap végére. Minden munkát nyugodtan és elővigyázatosan végezzen. A harmadik félnek okozott károkért a felhasználó felelős.
8. Soha ne használja a sövényvágót alkohol, kábítószer vagy gyógyszer hatása alatt.
9. Az erős bőrből készült munkakesztyűk a sövényvágó alapfelszerelésének részét képezik és a használatkor mindig fel kell venni azokat. Emellett viseljen kemény lábbeliit csúszásgátló talppal.
10. A munka megkezdése előtt ellenőrizze, hogy a sövényvágó állapota jó és megfelelő a biztonságos munkavégzésre. Ügyeljen rá, hogy a védőburkolatok megfelelően fel legyenek szerelve. A sövényvágót csak teljesen összeszerelt állapotban szabad használni.
11. A használat megkezdése előtt ellenőrizze, hogy biztonságosan áll.
12. A szerszámot erősen fogja használat közben.
13. Ne működtesse a szerszámot terhelés nélkül fölöslegesen.
14. Azonnal kapcsolja ki a motort és vegye ki az akkumulátort, ha a vágókés a kerítéshez vagy más kemény tárgyhoz ért. Ellenőrizze, hogy a vágókés nem sérült-e meg. Ha sérülést észlel, haladéktalanul gondoskodjon javításáról.

15. A vágókés ellenőrzése, a hibák kijavítása vagy a vágókésben elakadt anyag eltávolítása előtt mindig kapcsolja ki a sövényvágót és vegye ki belőle az akkumulátort.
16. Az esetleges karbantartások elvégzése előtt mindig kapcsolja ki a sövényvágót, és távolítsa el az akkumulátort.
17. A sövénynyíróból szállítás előtt (még munka közbeni szállításkor is) vegye ki az akkumulátort, és tegye fel a vágó védőburkolatát. Soha ne vigye, vagy szállítsa a sövényvágót mozgó vágóval. Soha ne markolja meg a kezével a vágót.
18. A használat után, és ha hosszabb időre elrakja, akkor tisztítsa meg a sövényvágót, különösen odafigyelve a vágóra. Kissé olajozza be a vágót és helyezze fel a fedelet. A készülékhez mellékelt fedél felakasztható a falra, biztonságos és praktikus módját biztosítva így a sövényvágó tárolásának.
19. A sövényvágót felrakott fedéllel tárolja, száraz helyiségben. Tartsa távol a gyerekektől. Soha ne tárolja a sövényvágót a szabadban.

## ŐRIZZE MEG EZEKET AZ UTASÍTÁSOKAT.

**▲ FIGYELMEZTÉS: NE HAGYJA,** hogy a kényelem vagy a termék (többszöri használatból adódó) mind alaposabb ismerete váltsa fel az adott termékre vonatkozó biztonsági előírások szigorú betartását. A **HELYTELEN HASZNÁLAT** és a használati útmutatóban szereplő biztonsági előírások megszegése súlyos személyi sérülésekhez vezethet.

## FONTOS BIZTONSÁGI SZABÁLYOK

### AZ AKKUMULÁTORRA VONATKOZÓAN

1. Az akkumulátor használata előtt tanulmányozza át az akkumulátortöltőn (1), az akkumulátoron (2) és az akkumulátorral működtetett terméken (3) olvasható összes utasítást és figyelmeztető jelzést.
2. Ne szerelje szét az akkumulátort.
3. Ha a működési idő nagyon lerövidült, azonnal hagyja abba a használatot. Ez a túlmelegedés, esetleges égések és akár robbanás veszélyével is járhat.
4. Ha elektrolit kerül a szemébe, mossa ki azt tiszta vízzel és azonnal keressen orvosi segítséget. Ez a látásának elvesztését okozhatja.
5. Ne zárja rövidre az akkumulátort:
  - (1) Ne érjen az érintkezőkhöz elektromosan vezető anyagokkal.
  - (2) Ne tárolja az akkumulátort más fémtárgyakkal, mint pl. szegekkel, érmékkel, stb. egy helyen.
  - (3) Ne tegye ki az akkumulátort víznek vagy esőnek.

Az akkumulátor rövidzárlata nagy áramerősséget, túlmelegedést, égéseket, sőt akár meghibásodást is okozhat.

6. Ne tárolja a szerszámot vagy az akkumulátort olyan helyen, ahol a hőmérséklet elérheti vagy meghaladhatja az 50°C-ot (122°F).
7. Ne égesse el az akkumulátort még akkor sem, ha az komolyan megsérült vagy teljesen elhasználódott. Az akkumulátor a tűzben felrobbanhat.
8. Vigyázzon, nehogy leejtse vagy megüsse az akkumulátort.
9. Ne használjon sérült akkumulátort.
10. Az akkumulátor ártalmatlanításakor tartsa be a helyi előírásokat.

## ŐRIZZE MEG EZEKET AZ UTASÍTÁSOKAT.

### Tippek a maximális élettartam eléréséhez

1. Töltse fel az akkumulátort még mielőtt teljesen lemerülne. Mindig kapcsolja ki a szerszámot és töltsse fel az akkumulátort amikor érzi, hogy csökkent a szerszám teljesítménye.
2. Soha ne töltsse újra a teljesen feltöltött akkumulátort. A túltöltés csökkenti az akkumulátor élettartamát.
3. Az akkumulátort szobahőmérsékleten töltsse 10°C - 40°C (50°F - 104°F) közötti hőmérsékleten. Hagyja, hogy a forró akkumulátor lehűljön, mielőtt elkezdi azt feltölteni.
4. Töltsse fel az akkumulátort, ha hosszabb ideig (több mint hat hónapig) nem használja.

# MŰKÖDÉSI LEÍRÁS

## ⚠ VIGYÁZAT:

- Minden esetben ellenőrizze, hogy a szerszám ki van kapcsolva és az akkumulátor eltávolításra került mielőtt beállít vagy ellenőriz valamilyen funkciót a szerszámon.

## Az akkumulátor behelyezése és eltávolítása

▶ **Ábra1:** 1. Piros jelölés 2. Gomb 3. Akkumulátor

## ⚠ VIGYÁZAT:

- Mindig kapcsolja ki az eszközt, mielőtt behelyezi vagy eltávolítja az akkumulátort.
- Az akkumulátort és a szerszámot tartsa erősen, amikor az akkumulátort a szerszáma helyezi vagy eltávolítja arról.** Amennyiben nem így jár el, a szerszám vagy az akkumulátor a kezéből kicsúszhat és megsérülhet, illetve személyi sérülést okozhat.

Az akkumulátoregység kivételéhez nyomja be az akkumulátoregység elején található gombot, és tolja ki az egységet.

Az akkumulátor beszereléséhez illessze az akkumulátor nyelvét a burkolaton található vajatba és csúsztassa a helyére. Egészen addig tolja be, amíg egy kis kattánással a helyére nem ugrik. Ha látható a piros jelölés a gomb felső oldalán, akkor a gomb nem kattant be teljesen.

## ⚠ VIGYÁZAT:

- Mindig tolja be teljesen az akkumulátort, amíg a piros jelölés el nem tűnik. Ha ez nem történik meg, akkor az akkumulátor kieshet a szerszámból, és Önnek vagy a környezetében másnak sérülést okozhat.
- Ne erőltesse be az akkumulátort. Ha az akkumulátor nem csúszik be könnyedén, akkor nem megfelelően lett behelyezve.

## Akkumulátórvédő rendszer (lítiumion akkumulátor csillag jelzéssel)

▶ **Ábra2:** 1. Csillag jelzés

A csillag jelzéssel ellátott lítiumion akkumulátorok akkumulátórvédő rendszerrel vannak felszerelve. A rendszer automatikusan lekapcsolja a szerszám áramellátását, így megnöveli az akkumulátor élettartamát.

A szerszám használat közben automatikusan leáll, ha a szerszám és/vagy az akkumulátor a következő helyzetbe kerül:

- Túlterhelés:

A szerszámot úgy működteti, hogy az szokatlanul erős áramot vesz fel.

Ilyenkor engedje fel a szerszám kioldókapcsolóját, és állítsa le azt az alkalmazást, amelyik a túlterhelést okozta. Ezután húzza meg ismét a kioldókapcsolót, és indítsa újra a szerszámot.

Ha a szerszám nem indul el, az akkumulátor túlhevült. Ilyenkor hagyja kihűlni az akkumulátort, mielőtt ismét meghúzná a kioldókapcsolót.

- Az akkumulátor töltöttsége alacsony:

Az akkumulátor fennmaradó töltöttsége túl alacsony, a szerszámot nem tudja működtetni. Ilyenkor távolítsa el, és töltsse fel az akkumulátort.

## Az akkumulátor töltöttségének jelzése

(Csak a "B" végződésű modellszámmal rendelkező akkumulátorok esetén.)

▶ **Ábra3:** 1. Töltöttség-szint-jelző lámpa 2. CHECK (ELLENŐRZÉS) gomb

Nyomja meg az akkumulátor ellenőrző gombját a töltöttség jelzéséhez. A jelzőfények néhány másodpercre kigyulladnak.

Töltöttség-szint-jelző lámpa			Töltöttség:
Világító lámpa	KI	Villogó lámpa	
			75 - 100 %
			50 - 75 %
			25 - 50 %
			0 - 25 %
			Töltsse fel az akkumulátort.
			Előfordulhat, hogy az akkumulátor meghibásodott.

## MEGJEGYZÉS:

- Az adott munkafeltételektől és a környezet hőmérsékletétől függően a jelzett töltöttségi szint némileg eltérhet a tényleges töltöttségi szinttől.

## A kapcsoló használata

## ⚠ VIGYÁZAT:

- Mielőtt behelyezi az akkumulátort a szerszámba, mindig ellenőrizze, hogy a kioldókapcsoló hibátlanul működik és az "OFF" állásba áll felengedéskor.

▶ **Ábra4:** 1. A kioldókapcsoló 2. B kioldókapcsoló 3. Kireteszelőgomb

Az Ön biztonsága érdekében a szerszám kettős kapcsolórendszerrel van felszerelve. A szerszám bekapcsolásához nyomja le kireteszelőgombot és az A és B kioldókapcsolókat. Engedje fel a két lenyomott kapcsoló egyikét a kikapcsoláshoz. A bekapcsolás sorrendje nem fontos, hiszen a szerszám csak akkor indul el, ha mind a két kapcsoló aktiválva van.

## Jelzőlámpa

### ► Ábra5: 1. Jelzőlámpa

A szerszám működtetésekor a jelzőfény utal az akkumulátor töltöttségi állapotára.

A jelzőfény akkor is pirosan világít, ha a szerszám túlterhelés alatt van és megáll.

Lásd az alábbi táblázatot a lámpa által jelzett állapottal és elvégzendő lépésekkel kapcsolatban.

Jelzőlámpa	Állapot	Teendő
A jelzőfény pirosan villog.	Jelzi, hogy itt az idő az akkumulátor cseréjére, mert az akkumulátor töltöttsége lecsökkent.	Minél előbb tölts fel az akkumulátort.
A jelzőfény piros színnel kezd világítani (1. megjegyzés)	Ez a funkció akkor lép működésbe, amikor az akkumulátor majdnem lemerült. Ekkor a szerszám azonnal leáll.	Tölts fel az akkumulátort.
A jelzőfény piros színnel kezd világítani (1. megjegyzés)	Túlterhelés miatti automatikus leállítás.	Kapcsolja ki a szerszámot.

1. megjegyzés A munkakörnyezet hőmérsékletétől és az akkumulátor állapotától függ, hogy a jelzőfény mikor kezd világítani.

## ÜZEMELTETÉS

### ⚠ VIGYÁZAT:

- Ügyeljen rá, nehogy véletlenül hozzáérjen egy fémkerítéshez vagy más kemény tárgyhoz a nyírás közben. A kés eltörik, és komoly sérülést okozhat.
- A sövényvágóval az átnyúlás, különösen egy létráról, különösen veszélyes. Ne dolgozzon semmilyen billegő vagy nem stabil helyről.

**MEGJEGYZÉS:** Ne próbáljon meg 10 mm-nél vastagabb átmérőjű ágakat átvágni a szerszámmal. A szerszám használata előtt egy ágvágó segítségével vágja a vágási magasságnál 10 cm-rel kisebbre az ágakat.

- **Ábra6:** (1) Vágási magasság (2) 10 cm

### ⚠ VIGYÁZAT:

- Ne vágjon kiszáradt fákat, vagy más kemény tárgyakat. Ennek figyelmen kívül hagyása a szerszám károsodásához vezet.

### ► Ábra7

Két kézzel fogja meg a sövényvágót, húzza meg az A és B kioldókapcsolókat, majd mozgassa a szerszámot a teste előtt.

- **Ábra8:** 1. Nyírási irány 2. A nyírmelől kivánt sövényfelellet 3. Döntse meg a késeket

Alapvető műveletként döntse meg a késeket a nyírás irányában és mozgassa azt nyugodt, lassú tempóban, 3 - 4 másodpercet számítva egy méterre.

### ► Ábra9: 1. Zsineg

A sövény tetejének egyenes vágásakor segít, ha egy kötelet feszít ki a kívánt magasságban és ezt referenciavonalnak használva ennek mentén végzi a nyírást.

### ► Ábra10

A forgácstálca (opcionális kiegészítő) felszerelése a sövény egyenes vágásakor segít megelőzni a levágott levelek elszóródását.

### ► Ábra11

A sövény oldalának egyenes vágásakor segít, ha alulról felfelé halad a vágással.

### ► Ábra12

Puszpáng vagy rododendron nyírásakor alulról felfelé haladva szép megjelenés és jó minőségű munka érhető el.

## A forgácstálca (opcionális kiegészítő) felhelyezése és eltávolítása

### ⚠ VIGYÁZAT:

- Minden esetben ellenőrizze, hogy a szerszám ki van kapcsolva és áramtalanítva lett, mielőtt felhelyezi vagy eltávolítja a forgácstalcát.

### MEGJEGYZÉS:

- A forgácstálca felszerelésekor mindig viseljen kesztyűt, hogy a kezei és az arca ne érjenek közvetlenül a késhez. Ennek figyelmen kívül hagyása személyi sérüléshez vezethet.
- Ügyeljen rá, hogy a forgácstálca felszerelése előtt mindig vegye le a késvédőt.
- A forgácstálca összegyűjti a levágott leveleket csökkenti a szétszóródó levelek mennyiségét. Ez a szerszám mindkét oldalára felszerelhető.

- **Ábra13:** 1. Nyomja le 2. Forgácsoló 3. Anya  
4. Nyírókés

Nyomja rá a forgácsolót a nyírókésekre úgy, hogy nyílások átfedjenek a nyírókéseken található anyákkal.

- **Ábra14:** 1. Akasztók 2. Illeszse az akasztókat a vátatba 3. Hornyok

Most a forgácsolót úgy kell felszerelni, hogy az akasztók illeszkedjenek a nyírókés egységen található vátatokba.

- **Ábra15:** 1. Nyomja meg a karokat a két oldalon  
2. Oldja ki az akasztókat

A forgácsoló eltávolításához nyomja le a kart annak két oldalán, hogy az akasztók kioldjanak.

#### **⚠ VIGYÁZAT:**

- A késvédő (standard felszerelés) nem szerelhető fel a szerszámmra, ha a forgácsoló fel van rakva. A szállítás vagy tárolás előtt vegye le a forgácsolót, majd szerelje fel a késvédőt a kés megvédése érdekében.

#### **MEGJEGYZÉS:**

- A használat előtt ellenőrizze a forgácsoló biztonságos rögzítését.
- Soha ne próbálja túlzott erővel eltávolítani a forgácsolót, ha az akasztói rögzítve vannak a kés egység vájataiban. A túlzott erő alkalmazása károsíthatja azt.

## **KARBANTARTÁS**

#### **⚠ VIGYÁZAT:**

- Minden esetben ellenőrizze, hogy a szerszám ki van kapcsolva és az akkumulátor eltávolításra került mielőtt átvizsgálja a szerszámot vagy annak karbantartását végzi.

### **A szerszám tisztítása**

Tisztítsa meg a szerszámot úgy, hogy letörli a port egy száraz, vagy szappanos vízbe mártott rongydarabbal.

#### **⚠ VIGYÁZAT:**

- Soha ne használjon gázolajt, benzint, higítót, alkoholt vagy hasonló anyagokat. Ezek elszíneződést, alakvesztést vagy repedést okozhatnak.

### **A kés karbantartása**

Kenje meg a kést a használat előtt és közben óránként egyszer gépolajjal, vagy más hasonló rendeltetésű anyaggal.

#### **MEGJEGYZÉS:**

- A kés kenése előtt szerelje le a forgácsolót.

A használat után egy drótkéfével távolítsa el a port a kés mindkét oldaláról, törölje le egy rongydarabbal, majd kenje meg megfelelő mennyiségű alacsony viszkozitású olajjal, mint például gépolajjal stb. és aeroszolos kenőolajjal.

#### **⚠ VIGYÁZAT:**

- Ne mossa a késeket vízben. Ennek figyelmen kívül hagyása a szerszám károsodásához vezet.

### **A nyírókés eltávolítása és felszerelése**

#### **⚠ VIGYÁZAT:**

- A vágókés eltávolítása vagy felszerelése előtt minden esetben ellenőrizze, hogy a szerszám ki van-e kapcsolva és az akkumulátor ki van-e szedve a gépből.
- A nyírókés cseréjekor mindig viseljen kesztyűt, és ne távolítsa el a késvédőt, hogy a kezei és az arca ne érjenek közvetlenül a késhez. Ennek figyelmen kívül hagyása személyi sérüléshez vezethet.

#### **MEGJEGYZÉS:**

- Ne törölje le a zsírt a fogaskerékről és a forgattyúról. Ennek figyelmen kívül hagyása a szerszám károsodásához vezet.

### **A nyírókések eltávolítása**

- **Ábra16:** 1. Csavarok 2. Alsó fedél

Fordítsa meg a szerszámot, lazítson meg négy csavart és távolítsa el az alsó fedelet.

#### **MEGJEGYZÉS:**

- Figyeljen rá, hogy ne koszolja össze a kezeit, mert a nyírókés hajtóterülete be van zsírozva.

- **Ábra17:** 1. Csavarok 2. Szivacs 3. Csavaralátét

Lazítsa meg a négy csavart és távolítsa el a késeket. Távolítsa el az alátétet és a szivacsot a vágókésről és tegye félre. Ezekre később szüksége lesz a felszerelésnél.

- **Ábra18:** 1. Fogaskerék 2. Perselyek  
3. Csavaralátét 4. Horony

Ha a perselyek még mindig a fogaskerék nyílásaiban vannak, távolítsa el a fogaskereket és tolja ki a perselyeket egy csavarhúzóval vagy hasonló szerszámmal.

#### **MEGJEGYZÉS:**

Az alátét a fogaskerék alatt véletlenül leeshet, amikor eltávolítja a fogaskereket. Ebben az esetben, helyezze vissza az eredeti helyére, ahogy az fel volt szerelve.

### **A nyírókés felszerelése**

- **Ábra19:** 1. Fűrészlapvédő

Távolítsa el a késvédőt a régi nyírókésekről és erősítse fel az újakra, kerülje a késekkel való érintkezést.

- **Ábra20**

Állítsa a nyílások helyzetét a fogaskerék elforgatásával a képen látható módon.

- **Ábra21:** 1. Kenőzsír

- **Ábra22:** 1. Kenőzsír

Kenjen rá egy kevés zsírt, ami az új nyírókésekhez jár, a képen látható módon.

► **Ábra23:** 1. Fűrészlap 2. Szivacs 3. Perselyek

Helyezze az eltávolított szivacsot ugyanabba a pozícióba, mint a régi szivacs. Győződjön meg róla, hogy az új nyírókésekhez járó perselyek a kések csapjaira vannak helyezve. Helyezze az új nyírókéseket a szerszámmra úgy, hogy a csapok illeszkedjenek a fogaskerék nyílásaiba. Ha a csapokon lévő perselyek véletlenül leesnek, helyezze őket előzőleg a fogaskerék nyílásaiba.

► **Ábra24:** 1. Csavarok 2. Csavaralátét

Szerelje fel a kést és húzza meg a négy csavart, majd helyezze vissza az eltávolított alátétet ugyanoda, ahol a régi alátét volt.

► **Ábra25:** 1. Csavarok

Szerelje fel az alsó fedelet a szerszámmra és húzza meg erősen a négy csavart.

## Tárolás

A gép alján található akasztónyílás jól használható a szerszám falból kiálló szögére vagy csavarra való felakasztásához.

► **Ábra26**

Távolítsa el az akkumulátort, és helyezze fel a késvédőt a nyírókésekre úgy, hogy a kések ne látsszanak. A szerszámot olyan helyen tárolja, ahol gyerekek nem érhetik el.

A szerszámot olyan helyen tárolja, amely nincs kitéve víznek vagy esőnek.

A termék BIZTONSÁGÁNAK és

MEGBÍZHATÓSÁGÁNAK fenntartásához, a javításokat, bármilyen egyéb karbantartást vagy beszabályozást a Makita Autorizált Szervizközpontoknak kell végrehajtaniuk, mindig Makita pótalkatrészek használatával.

## OPCIONÁLIS KIEGÉSZÍTŐK

### VIGYÁZAT:

- Ezek a tartozékok vagy kellékek ajánlottak az Önnek ebben a kézikönyvben leírt Makita szerszámához. Bármely más tartozék vagy kellék használata személyes veszélyt vagy sérülést jelenthet. A tartozékot vagy kelléket használja csupán annak kifejezett rendeltetésére.

Ha bármilyen segítségre vagy további információra van szüksége ezekkel a tartozékokkal kapcsolatban, keresse fel a helyi Makita Szervizközpontot.

- Késvédő
- Nyírókés szerelvény
- Eredeti Makita akkumulátor és töltő
- Forgácstálca

### MEGJEGYZÉS:

- A listán felsorolt néhány kiegészítő megtalálható az eszköz csomagolásában standard kiegészítőként. Ezek országonként eltérőek lehetnek.

## TECHNICKÉ ÚDAJE

Model	DUH481		DUH483		DUH521		DUH523	
Dĺžka čepele	480 mm				520 mm			
Ťahy za minútu (min <sup>-1</sup> )	1350							
Menovité napätie	Jednosmerný prúd 14,4 V		Jednosmerný prúd 18 V		Jednosmerný prúd 14,4 V		Jednosmerný prúd 18 V	
Celková dĺžka	869 mm	881 mm	873 mm	888 mm	919 mm	931 mm	923 mm	938 mm
Hmotnosť netto	2,9 kg	3,1 kg	3,0 kg	3,2 kg	3,0 kg	3,2 kg	3,0 kg	3,3 kg
Kazeta akumulátora	BL 1415 / BL 1415N	BL 1430 / BL 1430B / BL 1440 / BL 1450 / BL 1460B	BL 1815 / BL 1815N / BL 1820 / BL 1820B	BL 1830 / BL 1830B / BL 1840 / BL 1840B / BL 1850 / BL 1850B / BL 1860B	BL 1415 / BL 1415N	BL 1430 / BL 1430B / BL 1440 / BL 1450 / BL 1460B	BL 1815 / BL 1815N / BL 1820 / BL 1820B	BL 1830 / BL 1830B / BL 1840 / BL 1840B / BL 1850 / BL 1850B / BL 1860B
Nabíjačka akumulátora	DC18RC, DC18SD							

- Vzhľadom k neustálemu výskumu a vývoju tu uvedené technické údaje podliehajú zmenám bez upozornenia.
- Technické špecifikácie a typ akumulátora sa môžu v rámci jednotlivých krajín líšiť.
- Hmotnosť s akumulátorom podľa postupu EPTA 01/2003

### Symbol

Nižšie sú uvedené symboly, s ktorými sa môžete pri použití nástroja stretnúť. Je dôležité, aby ste ste skôr, než s ním začnete pracovať, pochopili ich význam.



Prečítajte si návod na obsluhu.



Nevystavujte dažďu.



Ni-MH  
Li-Ion

Len pre štáty EÚ  
Nevyhadzujte elektrické zariadenia alebo batérie do komunálneho odpadu!  
Podľa európskej smernice o nakladaní s použitými elektrickými a elektronickými zariadeniami a smernice o batériách a akumulátoroch a odpadových batériách a akumulátoroch a ich implementovaní, ako aj podľa zodpovedajúcich ustanovení právnych predpisov jednotlivých krajín, je nutné elektrické zariadenia a batérie po skončení ich životnosti triediť a odovzdať na zberné miesto vykonávajúce environmentálne kompatibilné recyklovanie.

### Určené použitie

Toto náradie je určené na strihanie živých plotov.

### Hluk

Typická hladina akustického tlaku pri záťaž A určená podľa EN60745:

#### Model DUH481, DUH483, DUH521

Hladina akustického tlaku (L<sub>PA</sub>): 75 dB (A)  
Odchýlka (K) : 2,5 dB (A)

Úroveň hluku pri práci môže prekročiť 80 dB (A).

#### Model DUH523

Hladina akustického tlaku (L<sub>PA</sub>): 77 dB (A)  
Odchýlka (K) : 2,5 dB (A)

Úroveň hluku pri práci môže prekročiť 80 dB (A).

**Používajte chrániče sluchu**

### Vibrácie

Celková hodnota vibrácií (trojosový vektorový súčet) určená podľa normy EN60745:

Pracovný režim : sekanie živých plotov  
Emisie vibrácií (a<sub>v</sub>): 2,5 m/s<sup>2</sup> alebo menej  
Odchýlka (K): 1,5 m/s<sup>2</sup>

**POZNÁMKA:** Deklarovaná hodnota emisií vibrácií bola meraná podľa štandardnej skúsobnej metódy a môže sa použiť na porovnanie jedného náradia s druhým.

**POZNÁMKA:** Deklarovaná hodnota emisií vibrácií sa môže použiť aj na predbežné posúdenie vystavenia ich účinkom.

**VAROVANIE:** Emisie vibrácií počas skutočného používania elektrického náradia sa môžu odlišovať od deklarovanej hodnoty emisií vibrácií, a to v závislosti na spôsoboch používania náradia.

**VAROVANIE:** Nezabudnite označiť bezpečnostné opatrenia s cieľom chrániť obsluhu, a to tie, ktoré sa zakladajú na odhade vystavenia účinkom v rámci reálnych podmienok používania (berúc do úvahy všetky súčasti prevádzkového cyklu, ako sú doby, kedy je náradie vypnuté a kedy beží bez zataženia, ako dodatok k dobe zapnutia).

### Len pre európske krajiny

## Vyhlásenie o zhode so smernicami Európskeho spoločenstva

**Spoločnosť Makita vyhlasuje, že nasledovné strojný zariadenie(a):**

Označenie zariadenia:

Akumulátorové nožnice na živé ploty

Číslo modelu / Typ:

DUH481, DUH483, DUH521, DUH523

Technické špecifikácie: pozrite si tabuľku „TECHNICKÉ ÚDAJE“.

**Je v zhode s nasledujúcimi európskymi smernicami:**  
2000/14/ES, 2006/42/ES

Sú vyrobené podľa nasledovných noriem a štandardizovaných dokumentov:

EN60745

Technická dokumentácia podľa smernice 2006/42/ES je k dispozícii na adrese:

Makita, Jan-Baptist Vinkstraat 2, 3070, Belgicko

Postup posúdenia zhody požadovaný smernicou 2000/14/ES bol v súlade s prílohou V.

Model DUH481

Meraná hladina akustického výkonu: 83,2 dB (A)

Garantovaná hladina akustického výkonu: 86 dB (A)

Model DUH483

Meraná hladina akustického výkonu: 83,8 dB (A)

Garantovaná hladina akustického výkonu: 88 dB (A)

Model DUH521

Meraná hladina akustického výkonu: 82,9 dB (A)

Garantovaná hladina akustického výkonu: 86 dB (A)

Model DUH523

Meraná hladina akustického výkonu: 84,3 dB (A)

Garantovaná hladina akustického výkonu: 89 dB (A)

28.4.2015



Yasushi Fukaya  
Riaditeľ

Makita, Jan-Baptist Vinkstraat 2, 3070, Belgicko

## Všeobecné bezpečnostné predpisy pre elektronáradie

**⚠️ UPOZORNENIE** Prečítajte si všetky upozornenia a inštrukcie. Nedodržavanie pokynov a inštrukcií môže mať za následok úraz elektrickým prúdom, požiar alebo vážne zranenie.

Všetky pokyny a inštrukcie si odložte pre prípad potreby v budúcnosti.

## BEZPEČNOSTNÉ VÝSTRAHY PRE NOŽNICE NA ŽIVÝ PLOT

- Zabráňte tomu, aby sa ktorákoľvek časť tela dostala do dosahu reznej čepele.** Počas doby, kedy sa čepele pohybujú, neodstraňujte odrezaný materiál ani materiál, ktorý budete odrezávať nedržte. Počas čistenia zaseknutého materiálu náradie vypnite. Chvíľa nepozornosti počas obsluhy nožnic na živé ploty môže mať za následok vážne osobné poranenie.
- Nožnice na živé ploty prenášajte držiac ich za rukoväť a pri zastavenej reznej čepeli.** Počas prepravy alebo uskladnenia nožnic na živé ploty vždy nasadzte kryt rezného zariadenia. Správna manipulácia s nožnicami na živé ploty zníži riziko možných osobných poranení zapríčinených reznými čepeľami.
- Elektrické náradie pri práci držte len za izolované úchopné povrchy, lebo rezná čepeľ sa môže dostať do kontaktu so skrytými vodičmi.** Rezná čepeľ, ktoré sa

dostanu do kontaktu so „živým“ vodičom môžu spôsobiť vystavenie kovových častí elektrického náradia „živému“ prúdu a spôsobiť tak obsluhu zasiahnutie elektrickým prúdom.

- Nožnice na živé ploty nepoužívajte počas dažďa alebo v rámci veľmi mokrych podmienok. Elektrický motor nie je vodotesný.
- Neskúseným užívateľom by mal používanie nožnic na živé ploty ukázať skúsený užívateľ nožnic na živé ploty.
- Nožnice na živé ploty nesmú používať deti a mladiství do veku 18 rokov. Osoby staršie ako 16 rokov môžu toto obmedzenie obísť, ak podstúpia zaškolenie pod dohľadom odborníka.
- S nožnicami na živé ploty pracujte len ak ste v dobrom fyzickom stave. Ak ste unavení, vaša pozornosť bude znížená. Zvlášť opatrní buďte na konci pracovného času. Všetky úkony vykonávajte pokojne a dôkladne. Užívateľ je zodpovedný za škody spôsobené tretím stranám.
- Nikdy nožnice na živé ploty nepoužívajte pod vplyvom alkoholu, drog alebo liekov.
- Pracovné rukavice z hrubej kože predstavujú základné vybavenie pre nožnice na živý plot a pri práci s nimi je nutná tieto ochranné pomôcky vždy používať. Vždy používajte hrubé topánky s podrážkou zabraňujúcou pošmyknutiu.
- Pred začatím práce skontrolujte, že nožnice na živé ploty sú v dobrom a bezpečnom prevádzkovom stave. Chráňte nasadte správnym spôsobom. Nožnice na živé ploty sa nesmú používať pokiaľ nie sú úplne zmontované.
- Pred začatím prevádzky zaujmite bezpečný postoj.
- Počas používania náradie držte pevne.
- Nepoužívajte náradie zbytočne bez záťaž.
- Ak rezná lišta prišla do styku s oplotením alebo iných tvrdým predmetom, okamžite vypnite motor a vyberte akumulátor. Reznú lištu skontrolujte z pohľadu poškodenia; v prípade poškodenia nechajte okamžite opraviť.
- Pred kontrolou rezných lišt, vykonávaním opravy chyby, alebo v prípade odstraňovania materiálu zachyteného v nožniciach vždy vypnite a vyberte akumulátor.
- Pred vykonávaním akejkolvek údržby nožnice vypnite a vyberte z nich akumulátor.
- Počas prenášania nožnic na živé ploty na iné miesto, vrátane prenášania počas vykonávania práce vyberte akumulátor a na reznú čepeľ nasadzte kryt čepele. Nikdy neprenášajte ani neprevádzajte nožnice so spusteným rezným náradím. Rezná náradie nikdy nechytajte rukami.
- Po použití a pred dlhodobým uskladnením nožnic na živé ploty vyčistite nožnice na živé ploty, a to hlavne ich reznú časť. Reznú lištu zľahka naolejajte a nasadzte kryt. Kryt dodávaný s jednotkou je možné zavesiť na na stenu, čím dosiahnete bezpečné a praktické uloženie nožnic na živé ploty.
- Nožnice na živé ploty uskladňujte s nasadeným krytom v suchej miestnosti. Uskladňujte mimo dosahu detí. Nožnice nikdy neuskladňujte vonku.

## TIETO POKYNY USCHOVAJTE.

**⚠️ VAROVANIE: NIKDY nepripustíte, aby pohodlie a dobrá znalosť výrobku (získané opakovaným používaním) nahradili presné dodržiavanie bezpečnostných pravidiel pre náradie. NESPRÁVNE POUŽÍVANIE alebo nedodržiavanie bezpečnostných pokynov uvedených v tomto návode na obsluhu môže spôsobiť vážne poranenia osôb.**



## DŮLEŽITÉ BEZPEČNOSTNÉ POKYNY

### PRE JEDNOTKU AKUMULÁTORA

1. Pred použitím jednotky akumulátora si prečítajte všetky pokyny a záručné poznámky na (1) nabíjačke akumulátorov, (2) akumulátore a (3) produkte používajúcom akumulátor.
  2. Jednotku akumulátora nerozoberajte.
  3. Ak sa doba prevádzky príliš skráti, ihneď prerušte prácu. Môže nastať riziko prehriatia, možných popálením či dokonca explózie.
  4. V prípade zasiahnutia očí elektrolytom ich vypláchnite čistou vodou a okamžite vyhľadajte lekársku pomoc. Môže dôjsť k strate zraku.
  5. Jednotku akumulátora neskratujte:
    - (1) Nedotýkajte sa konektorov žiadnym vodivým materiálom.
    - (2) Neskladujte jednotku akumulátora v obale s inými kovovými predmetmi, napríklad klincami, mincami a pod.
    - (3) Nabíjačku akumulátorov nevystavujte vode ani dažďu.
- Pri skratovaní akumulátora by mohlo dôjsť k vzrastu toku elektrického prúdu flow, prehriatiu, možným popáleninám či dokonca prebitiu.
6. Neskladujte nástroj ani jednotku akumulátora na miestach s teplotou presahujúcou 50°C (122°F).
  7. Jednotku akumulátora nespájajte, ani keď je vážne poškodená alebo úplne vydratá. Jednotka akumulátora môže v ohni explodovať.
  8. Dávajte pozor, aby akumulátor nespadol alebo nenarazil do niečoho.
  9. Nepoužívajte poškodený akumulátor.
  10. Akumulátor zneškodnite v zmysle miestnych nariadení.

### TIETO POKYNY USCHOVAJTE.

#### Rady pre udržanie maximálnej životnosti akumulátora

1. Akumulátor nabite ešte predtým, ako sa úplne vybijie. Vždy prerušte prácu s nástrojom a nabite jednotku akumulátora, keď spozorujete nižší výkon nástroja.
2. Nikdy nenabíjate plne nabitú jednotku akumulátora. Prebíjanie skracuje životnosť akumulátora.
3. Jednotku akumulátora nabíjajte pri izbovej teplote pri 10°C - 40°C (50°F - 104°F). Pred nabíjaním nechajte jednotku akumulátora vychladnúť.
4. Ak nebudete jednotku akumulátora dlhodobo používať (dlhšie než šesť mesiacov), nabite ju.

## POPIS FUNKCIE

### ▲POZOR:

- Pred úpravou alebo kontrolou funkčnosti nástroja vždy skontrolujte, či je nástroj vypnutý a blok akumulátora je vybratý.

### Inštalácia alebo demontáž kazety akumulátora

- Obr.1: 1. Červený indikátor 2. Tlačidlo 3. Kazeta akumulátora

### ▲POZOR:

- Pred inštaláciou alebo vybratím akumulátora náradie vždy vypnite.
- Pri vkladaní alebo vyberaní akumulátora uchopte pevne náradie aj akumulátor. Opomenutie pevne uchopiť náradie a akumulátor môže mať za následok ich vyšmyknutie z rúk s dôsledkom poškodenia náradia a batérie, ako aj osobných poranení.

Ak chcete vybrať akumulátor, vysuňte ho zo zariadenia, pričom posuňte tlačidlo na prednej strane akumulátora. Akumulátor vložte tak, že jazyk akumulátora nasmerujete na ryhu v kryte a zasuniete ju na miesto. Zatlačte ho úplne, kým zakliknutím nezapadne na miesto. Ak vidíte červený indikátor na hornej strane tlačidla, nie je správne zapadnutý.

### ▲POZOR:

- Akumulátor vždy nainštalujte úplne, až kým nie je vidieť červený indikátor. V opačnom prípade môže náhodne vypadnúť z náradia a ublížiť vám alebo osobám v okolí.
- Pri inštalovaní jednotky akumulátora nepoužívajte silu. Ak sa jednotka nedá zasunúť ľahko, nevkladajte ju správne.

### Systém ochrany akumulátora (lítium-iónový akumulátor označený hviezdíčkou)

- Obr.2: 1. Označenie hviezdíčkou

Lítium-iónové akumulátory označené hviezdíčkou sú vybavené systémom ochrany. Tento systém automaticky vypne napájanie náradia s cieľom predĺžiť životnosť akumulátora. Náradie sa môže počas prevádzky automaticky zastaviť v prípade, ak náradie a/alebo akumulátor sú v rámci nasledujúcich podmienok.

- Preťaženie:

Náradie je prevádzkované spôsobom, ktorý spôsobuje odber nadmerne vysokého prúdu. V tejto situácii uvoľníte vypínač náradia a prestaňte vykonávať aplikáciu, ktorá spôsobila preťaženie náradia. Následne náradie znova reštartujte potiahnutím vypínača. Ak sa náradie nespustí, akumulátor je prehriaty. V tejto situácii nechajte akumulátor pred opätovným potiahnutím vypínača vychladnúť.
- Nízke napätie akumulátora:

Zostávajúca kapacita akumulátora je veľmi nízka a náradie nebude fungovať. V tejto situácii akumulátor vyberte a nabite ho.

## Indikácia zvyšnej kapacity akumulátora

(Len pre akumulátory, ktoré na konci čísla modelu obsahujú "B".)

► **Obr.3:** 1. Indikátory 2. Tlačidlo CHECK

Po stlačení tlačidla na kontrolu na akumulátore sa zobrazí zostávajúca kapacita akumulátora. Indikátory sa na niekoľko sekúnd rozsvietia.

Indikátory			Zostávajúca kapacita
Svieti	Vypnuté	Bliká	
			75 % až 100 %
			50 % až 75 %
			25 % až 50 %
			0 % až 25 %
			Akumulátor nabite.
			Akumulátor je možno chybný.

### POZNÁMKA:

- V závislosti na podmienkach používania a v závislosti na okolitej teplote sa môže vyznačenie mierne odlišovať od skutočnej kapacity.

## Zapínanie

### ▲ POZOR:

- Pred vloženíu bloku akumulátora do nástroja sa vždy presvedčíte, či vypínač funguje správne a po uvoľnení sa vráti do pozície "OFF".

► **Obr.4:** 1. Spínač A 2. Spínač B 3. Tlačidlo odomknutia

Kvôli vašej vlastnej bezpečnosti je toto náradie vybavené duálnym systémom vypínania. Aby ste náradie zapli, stlačte odomykacie tlačidlo a vypínače A a B. Vypnutie vykonáte uvoľnením jedného z dvoch stlačených vypínačov. Poradie zapínania nie je dôležité, pretože náradie sa spustí jedine v prípade zaktivovania oboch vypínačov.

## Kontrolka

► **Obr.5:** 1. Kontrolka

Spustenie náradia umožňuje, aby indikátor zobrazoval stav nabitia akumulátora.

Pokiaľ je náradie veľmi preťažené a počas prevádzky sa zastavilo, indikátor sa rozsvieti na červeno.

V nasledujúcej tabuľke nájdete informácie o stave indikátora a krokoch, ktoré treba vykonať.

Kontrolka	Stav	Potrebný úkon
Indikátor bliká na červeno.	To signalizuje vhodný čas na výmenu kazety akumulátora pri jej poklese jeho energie.	Akumulátor nabite čo najskôr.
Indikátor sa rozsvieti na červeno. (Poznámka 1)	Táto funkcia sa spustí, keď je energia akumulátora takmer na nule. V tomto momente okamžite zastavte nástroj.	Akumulátor nabite.
Indikátor sa rozsvieti na červeno. (Poznámka 1)	Automatické zastavenie kvôli preťaženiu.	Náradie vypnite.

Poznámka 1: Doba, kedy sa indikátor rozsvieti sa líši v závislosti na teplote na mieste výkonu práce a stave akumulátora.

# PRÁCA

## ⚠ POZOR:

- Počas strihania dávajte pozor, aby ste náhodne neprišli do styku s kovovým oplatením alebo ďalšími tvrdými predmetmi. Môže dôjsť k zlomeniu čepele s dôsledkom vážneho poranenia.
- Snaha prekračovať dosah nožnic na živé ploty, a to obzvlášť z rebríka je veľmi nebezpečná. Činnosť strihania nevykonávajte stojac na vratkom a nestabilnom predmete.

**UPOZORNENIE: Nepokúšajte sa s týmto zariadením strihať vetvy hrubšie ako 10 mm v priemere.** Pred použitím tohto zariadenia odstrihnite konáre pomocou nožnic na konáre na dĺžku o 10 cm kratšiu ako výška kosenia.

► **Obr.6:** (1) Výška kosenia (2) 10 cm

## ⚠ POZOR:

- Nepoužívajte na odstrihovanie odumretých stromov a podobných tvrdých predmetov. Opomenutie môže viesť k poškodeniu náradia.

► **Obr.7**

Nožnice držte oboma rukami, ťahajte vypínač A alebo B a pohybujte nožnicami pred svojím telom.

► **Obr.8:** 1. Smer strihania 2. Plocha živého plota, ktorú budete strihať 3. Čepele nakloňte

V rámci bežnej prevádzky skloňte čepele smerom ku smeru strihania a pohybujte nimi pokojne a pomaly, a to pri rýchlosti jeden meter za 3 - 4 sekundy.

► **Obr.9:** 1. Šnúra

Na rovné zastrihnutie hornej časti živého plota pomôže, ak si v požadovanej výške živého plota natiahnete povraz a strihanie budete vykonávať pozdĺž tohto povrazu, ktorý v tomto prípade predstavuje pomocnú čiaru.

► **Obr.10**

Pripevnenie lapača úlomkov (voliteľné príslušenstvo) na náradie počas strihania živého plota v priamom smere môže zabrániť odhadzovaniu odstrihnutých listov.

► **Obr.11**

Kvôli rovnému zostrihnutiu živého plota je dobré, ak budete strihať smerom zdola nahor.

► **Obr.12**

S cieľom dosiahnuť pekný vzhľad a vykonať dobrú prácu, buxusy alebo azalky rododendron strihajte zdola smerom nahor.

## Montáž alebo demontáž lapača úlomkov (voliteľné príslušenstvo)

### ⚠ POZOR:

- Vždy sa uistite, že je náradie je pred montážou alebo demontážou lapača odrezkov odpojené od prívodu elektrickej energie.

### POZNÁMKA:

- Počas nasadzovania lapača odrezkov vždy používajte rukavice a činnosť vykonávajte tak, aby ruky ani tvár neprišli do priameho styku s čepeľou. V opačnom prípade môže dôjsť k osobnému poraneniu.
- Pred nainštalovaním lapača odrezkov vždy snímte kryt čepele.
- Lapač odrezkov zachytáva odrezané listy a uľahčuje zber orezaného lístia. Môže sa namontovať na ktorúkoľvek stranu náradia.

► **Obr.13:** 1. Tlak 2. Lapač odrezkov 3. Matica 4. Rezná čepeľ

Lapač úlomkov namontujte na reznú čepele tak, aby jeho štrbiny prečnievali spolu s maticami nad reznú čepele.

► **Obr.14:** 1. Háčiky 2. Nasadíte háčiky do drážky 3. Žliabky

Teraz je potrebné lapač odrezkov nainštalovať tak, aby jeho háčiky zapadli do drážok v jednotke reznej čepele.

► **Obr.15:** 1. Stlačte páčky na oboch stranách 2. Odblokujte háčiky

Demontáž lapača odrezkov vykonáte tak, že stlačíte páčku na oboch stranách, čím dôjde k odblokovaniu háčikov.

### ⚠ POZOR:

- Kryt čepele (štandardná výbava) nemožno nainštalovať na náradie, na ktorom je nainštalovaný lapač odrezkov. Pred prenášaním alebo uskladnením demontujte najprv lapač odrezkov a následne namontujte kryt čepele, čím zabránite vystaveniu čepele účinkom prostredia.

### POZNÁMKA:

- Pred použitím skontrolujte bezpečné namontovanie lapača odrezkov.
- Nikdy sa nepokúšajte lapač odrezkov demontovať vyvíjaním nadmernej sily na háčiky zablokované v drážkach jednotky čepele. Vyvíjaním nadmernej sily môže dôjsť k poškodeniu.

# ÚDRŽBA

### ⚠ POZOR:

- Pred vykonaním kontroly alebo údržby vždy skontrolujte, či je nástroj vypnutý a blok akumulátora je vybratý.

## Čistenie náradia

Náradie čistíte poutieraním prachu pomocou suchej, alebo v saponátovom roztoku namočenej handry.

### ⚠ POZOR:

- Nepoužívajte benzín, riedidlo, alkohol ani nič podobné. Mohlo by to spôsobiť zmenu farby, deformácie alebo praskliny.

## Údržba čepele

Čepeľ pred a raz za hodinu počas prevádzky namažte motorovým olejom alebo podobnou látkou.

### POZNÁMKA:

- Pred namazaním čepele demontujte lapač triesok.

Po činnosti odstráňte pomocou drôtovej kefy prach z oboch strán čepele, utrite ju handrou a potom naneste dostatočné množstvo oleja s nízkou viskozitou, ako je strojný olej a pod. a mazací olej nanášaný striekaním.

### ▲POZOR:

- Čepele neumývajte vo vode. Opomenutie môže viesť k hrdzaveniu alebo k poškodeniu náradia.

## Demontáž a montáž reznej čepele

### ▲POZOR:

- Pred demontážou a montážou strižnej čepele sa vždy presvedčte, že náradie je vypnuté a akumulátor z neho je vybratý.
- Počas nasadzovania reznej čepele vždy používajte rukavice, nesnímajte kryt čepele a činnosť vykonávajte tak, aby ruky ani tvár neprišli do priameho styku s čepeľou. V opačnom prípade môže dôjsť k osobnému poraneniu.

### POZNÁMKA:

- Z prevodov a z kľuky neodstraňujte mazivo. V opačnom prípade môže dôjsť k poškodeniu náradia.

## Demontáž rezných čepeľí

► **Obr.16:** 1. Skrutky 2. Spodný kryt

Otočte náradie, uvoľnite štyri skrutky a demontujte spodný kryt.

### POZNÁMKA:

- Dávajte pozor, aby ste nezašpinili, pretože na ploche s prevodmi reznej čepele je nanosené mazivo.

► **Obr.17:** 1. Skrutky 2. Špongia 3. Podložka

Uvoľnite štyri skrutky a demontujte čepele. Demontujte podložku a špongiu z rezných čepeľí a položte ich nabok. Budete ich potrebovať na následnú inštaláciu.

► **Obr.18:** 1. Prevod 2. Objímky 3. Podložka 4. Drážka

Ak sú objímky stále na otvoroch prevodu, demontujte prevod a objímky vytlačte pomocou skrutkovača alebo podobného náradia.

**POZNÁMKA:** Pri demontovaní prevodu môžete omylom vybrať aj podložku pod prevodom. V takomto prípade ju vráťte do pôvodnej polohy, ako bola nainštalovaná.

## Montáž reznej čepele

► **Obr.19:** 1. Kryt čepele

Demontujte kryt čepele zo starých rezných čepeľí a nasadte ho na nové, aby ste zabránili kontaktu s čepeľami.

► **Obr.20**

Otáčaním prevodu podľa obrázka nastavte polohy otvorov.

► **Obr.21:** 1. Mazivo

► **Obr.22:** 1. Mazivo

Na nové reznú čepeľ naneste trochu dodávaného maziva, ako je to znázornené.

► **Obr.23:** 1. Čepeľ 2. Špongia 3. Objímky

Demontovanú špongiu vložte do rovnej polohy ako starú. Skontrolujte, že objímky dodávané s novými reznými čepeľami sú na kolíkoch čepele. Umiestnite nové reznú čepeľ na náradie tak, aby kolíky zapadli do otvorov prevodu. Ak objímky na kolíkoch omylom vypadnú, vložte ich najprv do otvorov prevodu.

► **Obr.24:** 1. Skrutky 2. Podložka

Nainštalujte čepeľ, utiahnite štyri skrutky a nainštalujte demontovanú podložku do rovnej polohy ako bola stará.

► **Obr.25:** 1. Skrutky

Na náradie nainštalujte spodný kryt a pevne utiahnite štyri skrutky.

## Uskladnenie

Otvor pre zavesenie v spodnej časti náradia je vhodný na zavesenie náradia na klinec alebo skrutku v stene.

► **Obr.26**

Vyberte akumulátor a kryt čepele nasadte na strižnú čepeľ tak, aby čepele neboli odhalené. Náradie bezpečne uskladnite mimo dosahu detí.

Náradie uskladnite na mieste, ktoré nie je vystavené účinkom dažďa ani vody.

Kvôli zachovaniu BEZPEČNOSTI a SPOĽAHLIVOSTI výrobkov musia byť opravy a akákoľvek ďalšia údržba či nastavovanie robené autorizovanými servisnými strediskami firmy Makita a s použitím náhradných dielov Makita.

## VOLITEĽNÉ PRÍSLUŠENSTVO

### ▲POZOR:

- Pre váš nástroj Makita, opísaný v tomto návode, doporučujeme používať toto príslušenstvo a nástavce. Pri použití iného príslušenstva či nástavcov môže hroziť nebezpečenstvo zranenia osôb. Príslušenstvo a nástavce sa môžu používať len na účely pre ne stanovené.

Ak potrebujete bližšie informácie týkajúce sa tohoto príslušenstva, obráťte sa na vaše miestne servisné stredisko firmy Makita.

- Kryt čepele
- Zostava reznej čepele
- Originálna batéria a nabíjačka Makita
- Lapač úlomkov

### POZNÁMKA:

- Niektoré položky zo zoznamu môžu byť súčasťou balenia náradia vo forme štandardného príslušenstva. Rozsah týchto položiek môže byť v každej krajine odlišný.

## TECHNICKÉ ÚDAJE

Model	DUH481		DUH483		DUH521		DUH523	
Délka čepele	480 mm				520 mm			
Počet zdvihů za minutu (min <sup>-1</sup> )	1 350							
Jmenovité napětí	14,4 V DC		18 V DC		14,4 V DC		18 V DC	
Celková délka	869 mm	881 mm	873 mm	888 mm	919 mm	931 mm	923 mm	938 mm
Hmotnost netto	2,9 kg	3,1 kg	3,0 kg	3,2 kg	3,0 kg	3,2 kg	3,0 kg	3,3 kg
Akumulátor	BL1415 / BL1415N	BL1430 / BL1430B / BL1440 / BL1450 / BL1460B	BL1815 / BL1815N / BL1820 / BL1820B	BL1830 / BL1830B / BL1840 / BL1840B / BL1850 / BL1850B / BL1860B	BL1415 / BL1415N	BL1430 / BL1430B / BL1440 / BL1450 / BL1460B	BL1815 / BL1815N / BL1820 / BL1820B	BL1830 / BL1830B / BL1840 / BL1840B / BL1850 / BL1850B / BL1860B
Nabíječka akumulátoru	DC18RC,DC18SD							

- Vzhledem k neustálému výzkumu a vývoji zde uvedené technické údaje podléhají změnám bez upozornění.
- Technické údaje a blok akumulátoru se mohou v různých zemích lišit.
- Hmotnost s blokem akumulátoru dle EPTA – Procedure 01/2003

### Symbol

Níže jsou uvedeny symboly, se kterými se můžete při použití nástroje setkat. Je důležité, abyste dříve, než s ním začnete pracovat, pochopili jejich význam.



Přečtěte si návod k obsluze.



Nevystavujte nástroj dešti.



Jen pro státy EU  
Elektrická zařízení ani akumulátory nelikvidujte současně s domovním odpadem!  
Vzhledem k dodržování evropských směrnic o odpadních elektrických a elektronických zařízeních a směrnice o bateriích, akumulátorech a odpadních bateriích a akumulátorech s jejich implementací v souladu s národními zákony musí být elektrická zařízení, baterie a bloky akumulátorů po skončení životnosti odděleně shromážděny a předány do ekologicky kompatibilního recyklačního zařízení.

### Určení nástroje

Nástroj je určen k zastřihování živých plotů.

### Hlučnost

Typická vážená hladina hluku (A) určená podle normy EN60745:

#### Model DUH481,DUH483,DUH521

Hladina akustického tlaku (L<sub>PA</sub>): 75 dB (A)

Nejistota (K): 2,5 dB (A)

Hladina hluku při práci může překročit hodnotu 80 dB (A).

#### Model DUH523

Hladina akustického tlaku (L<sub>PA</sub>): 77 dB (A)

Nejistota (K): 2,5 dB (A)

Hladina hluku při práci může překročit hodnotu 80 dB (A).

**Používejte ochranu sluchu**

### Vibrace

Celková hodnota vibrací (vektorový součet tří os) určená podle normy EN60745:

Pracovní režim: zastřihování živých plotů

Emise vibrací (a<sub>h</sub>): 2,5 m/s<sup>2</sup> nebo méně

Nejistota (K): 1,5 m/s<sup>2</sup>

**POZNÁMKA:** Deklarovaná hodnota emisí vibrací byla změřena v souladu se standardní testovací metodou a může být využita ke srovnávání nářadí mezi sebou.

**POZNÁMKA:** Deklarovanou hodnotu emisí vibrací lze rovněž využít k předběžnému posouzení vystavení jejich vlivu.

**VAROVÁNÍ:** Emise vibrací během skutečného používání elektrického nářadí se mohou od deklarované hodnoty emisí vibrací lišit v závislosti na způsobu použití nářadí.

**VAROVÁNÍ:** Na základě odhadu vystavení účinkům vibrací v aktuálních podmínkách zajistěte bezpečnostní opatření k ochraně obsluhy (vezměte v úvahu všechny části pracovního cyklu, mezi něž patří kromě doby pracovního nasazení i doba, kdy je nářadí vypnuto nebo pracuje ve volnoběhu).

### Pouze pro země Evropy

### Prohlášení ES o shodě

**Společnost Makita prohlašuje, že následující zařízení:**

Popis zařízení:

Akumulátorové nůžky na živé ploty

Č. Modelu/typ:

DUH481,DUH483,DUH521,DUH523

Technické údaje: viz tabulka „TECHNICKÉ ÚDAJE“.

**A vyhovuje následujícím evropským směrnicím:**

2000/14/ES, 2006/42/ES

Zařízení bylo vyrobeno v souladu s následující normou či normativními dokumenty:

EN60745

Technická dokumentace dle 2006/42/ES je k dispozici na adrese:

Makita, Jan-Baptist Vinkstraat 2, 3070, Belgie

Postup posuzování shody vyžadovaný směrnicí 2000/14/ES byl proveden v souladu s přílohou V.

Model DUH481

Naměřená hladina akustického výkonu: 83,2 dB (A)  
Zaručená hladina akustického výkonu: 86 dB (A)

Model DUH483

Naměřená hladina akustického výkonu: 83,8 dB (A)  
Zaručená hladina akustického výkonu: 88 dB (A)

Model DUH521

Naměřená hladina akustického výkonu: 82,9 dB (A)  
Zaručená hladina akustického výkonu: 86 dB (A)

Model DUH523

Naměřená hladina akustického výkonu: 84,3 dB (A)  
Zaručená hladina akustického výkonu: 89 dB (A)

28.4.2015



Yasushi Fukaya  
Ředitel

Makita, Jan-Baptist Vinkstraat 2, 3070, Belgie

## Obecná bezpečnostní upozornění k elektrickému nářadí

**⚠️ UPOZORNĚNÍ** Přečtěte si všechna bezpečnostní upozornění a pokyny. Při nedodržení upozornění a pokynů může dojít k úrazu elektrickým proudem, požáru nebo vážnému zranění.

**Všechna upozornění a pokyny si uschovejte pro budoucí potřebu.**

## BEZPEČNOSTNÍ UPOZORNĚNÍ K AKUMULÁTOROVÝM NŮŽKÁM NA ŽIVÉ PLOTY

1. **Udržujte všechny části těla v bezpečné vzdálenosti od nožů. Neodstraňujte stříhaný materiál a nedržte materiál, když se nože pohybují. Při odstraňování uviznutého materiálu musí být spoušť vypnuta.** Chvilce nepozornosti při používání zastříhovače může mít za následek vážné zranění.
2. **Při přenášení držte zastříhovač za rukojeť a nechte jej vypnutý. Při přepravě a skladování zastříhovače na nože vždy nasadte kryt.** Správnou manipulací se zastříhovačem snížíte riziko zranění noží.
3. **Elektrické nářadí držte pouze za izolované části držadel, neboť stříhací nože mohou narazit na skryté elektrické vedení.** Při kontaktu stříhacích nožů s vodičem pod napětím se může proud přenést do nechráněných kovových částí nářadí a obsluha může utrpět úraz elektrickým proudem.

4. **Nepoužívejte zastříhovač v dešti ani v mokřem nebo velice vlhkém prostředí.** Elektrický motor není voděodolný.
5. **Uživatelé, kteří používají zastříhovač poprvé, by měli požádat o radu k používání zkušené uživatele.**
6. **Zastříhovač nesmí používat děti a osoby mladší 18 let.** Mladiství starší 16 let mohou být tohoto omezení zproštěni, pokud pod dohledem odborníka absolvují školení.
7. **Zastříhovač obsluhujte pouze tehdy, jste-li v dobrém fyzickém stavu.** Únava vede ke snížení pozornosti. Opatrní buďte zejména na konci pracovního dne. Veškerou práci provádějte klidně a opatrně. Uživatel je zodpovědný za všechny škody způsobené třetím stranám.
8. **Nikdy nepoužívejte zastříhovač pod vlivem alkoholu, drog nebo léků.**
9. **Mezi základním vybavením zastříhovače jsou silné kožené rukavice, které je nutné při práci vždy používat.** Používejte také pevnou obuv s protiskluzovou podrážkou.
10. **Před zahájením práce zkontrolujte, zda jsou nůžky v dobrém stavu umožňujícím bezpečné používání.** Zkontrolujte, zda jsou správně nainstalovány kryty. Nůžky nesmějí být používány, pokud nejsou kompletní.
11. **Před zahájením práce se ujistěte, že máte prostor pro stabilní postoj.**
12. **Při práci držte nástroj pevně.**
13. **Nářadí nespouštějte zbytečně naprázdno.**
14. **Pokud se nůžky dostanou do kontaktu s oplečením či jiným tvrdým objektem, okamžitě vypněte motor a vyjměte blok akumulátoru.** Zkontrolujte, zda nejsou nůžky poškozené a při zjištění poškození zajistěte neprodleně opravu.
15. **Před kontrolou, opravováním či odstraňováním zachyceného materiálu zařízení vždy vypněte a vyjměte blok akumulátoru.**
16. **Před prováděním jakékoli údržby nůžky vypněte a vyjměte blok akumulátoru.**
17. **Při přenášení zařízení na jiné místo (i při práci) vždy vyjměte blok akumulátoru a na stříhací nože nasadte kryt.** Nůžky nikdy nepřenášejte ani nepřepavujte zapnuté. Nůžky nikdy neberte do rukou za nože.
18. **Po použití a před dlouhodobějším skladováním zastříhovač očistěte - zejména nože.** Naolejujte nože a nasadte kryt. Kryt dodaný s přístrojem lze pověsit na zeď a zastříhovač tak lze bezpečně a prakticky skladovat.
19. **Skládejte zastříhovač s nasazeným krytem v suché místnosti.** Uchovávejte jej mimo dosah dětí. Nikdy zastříhovač neskládejte venku.

## TYTO POKYNY USCHOVEJTE.

**⚠️ VAROVÁNÍ: NEDOVOLTE, aby pohodlnost nebo pocit znalosti výrobku (získaný na základě opakovaného používání) vedly k zanedbání dodržování bezpečnostních pravidel platných pro tento výrobek. NESPRÁVNÉ POUŽÍVÁNÍ nebo nedodržení bezpečnostních pravidel uvedených v tomto návodu k obsluze může způsobit vážné zranění.**

## DŮLEŽITÉ BEZPEČNOSTNÍ POKYNY

### AKUMULÁTOR

1. Před použitím akumulátoru si přečtěte všechny pokyny a varovné symboly na (1) nabíječe, (2) baterii a (3) výrobku využívajícím baterii.
2. Akumulátor nedemontujte.
3. Pokud se příliš zkrátí provozní doba akumulátoru, přerušete okamžitě provoz. V opačném případě existuje riziko přehřívání, popálení nebo dokonce výbuchu.
4. Budou-li vaše oči zasaženy elektrolytem, vypláchněte je čistou vodou a okamžitě vyhledejte lékařskou pomoc. Může dojít ke ztrátě zraku.
5. Akumulátor nezkratujte:
  - (1) Nedotýkejte se svorek žádným vodivým materiálem.
  - (2) Akumulátor neskladujte v nádobě s jinými kovovými předměty, jako jsou hřebíky, mince, apod.
  - (3) Akumulátor nevystavujte vodě ani dešti. Zkrat akumulátoru může způsobit velký průtok proudu, přehřátí, možné popálení a dokonce i poruchu.
6. Neskladujte nástroj a akumulátor na místech, kde může teplota překročit 50 °C (122 °F).
7. Nespalujte akumulátor, ani když je vážně poškozen nebo úplně opotřeben. Akumulátor může v ohni vybuchnout.
8. Dávejte pozor, abyste baterii neupustili ani s ní nenaráželi.
9. Nepoužívejte poškozené akumulátory.
10. Při likvidaci akumulátoru postupujte podle místních předpisů.

### TYTO POKYNY USCHOVEJTE.

#### Tipy k zajištění maximální životnosti akumulátoru

1. Akumulátor nabíjte před tím, než dojde k úplnému vybití baterie. Pokud si povšimnete sníženého výkonu nástroje, vždy jej zastavte a dobijte akumulátor.
2. Nikdy nenabíjete úplně nabitý akumulátor. Přebíjení zkracuje životnost akumulátoru.
3. Akumulátor nabíjete při pokojové teplotě v rozmezí od 10 °C do 40 °C (50 °F - 104 °F). Před nabíjením nechejte horký akumulátor vychladnout.
4. Nebudete-li nářadí delší dobu používat (déle než šest měsíců), dobijte blok akumulátoru.

## POPIS FUNKCE

### ▲ UPOZORNĚNÍ:

- Před nastavováním nástroje nebo kontrolou jeho funkce se vždy přesvědčte, zda je nástroj vypnutý a je odpojen jeho akumulátor.

### Instalace a demontáž akumulátoru

- **Obr.1:** 1. Červený indikátor 2. Tlačítko 3. Akumulátor

### ▲ UPOZORNĚNÍ:

- Před nasazením či sejmutím bloku akumulátoru nářadí vždy vypněte.
- **Při nasazování či snímání bloku akumulátoru pevně držte nářadí i akumulátor.** V opačném případě vám mohou nářadí nebo akumulátor vyklouznout z ruky a mohlo by dojít k jejich poškození či ke zranění.

Jestliže chcete blok akumulátoru vyjmout, vysuňte jej se současným přesunutím tlačítka na přední straně akumulátoru. Při instalaci akumulátoru vyrovnajte jazýček na bloku akumulátoru s drážkou v krytu a zasuňte akumulátor na místo. Akumulátor zasuňte na doraz, až zacvakne na místo. Není-li tlačítko zcela zajištěno, uvidíte na jeho horní straně červený indikátor.

### ▲ UPOZORNĚNÍ:

- Akumulátor zasunujte vždy zcela tak, aby nebyl červený indikátor vidět. Jinak by mohl akumulátor ze zařízení vypadnout a způsobit zranění obsluze či přihlížejícím osobám.
- Blok akumulátoru nenasažujte násilím. Nelze-li akumulátor zasunout snadno, nekláďte jej správně.

### Systém ochrany akumulátoru (lithium-iontový akumulátor se značkou hvězdičky)

- **Obr.2:** 1. Značka hvězdičky

Lithium-iontové akumulátory se značkou hvězdičky jsou vybaveny systémem ochrany. Tento systém automaticky přeruší napájení nářadí, aby se prodloužila životnost akumulátoru. Budou-li nářadí nebo akumulátor vystaveny některé z níže uvedených podmínek, nářadí se během provozu automaticky vypne:

- Přetížení:

S nářadím se pracuje takovým způsobem, že dochází k odběru mimořádně vysokého proudu. V takovém případě uvolníte spoušť nářadí a ukončete činnost, jež vedla k přetížení zařízení. Potom nářadí opětovným stisknutím spouště znovu spustíte.

Jestliže se nářadí nespustí, došlo k přehřátí akumulátoru. V takovém případě nechte akumulátor před opětovným stisknutím spouště vychladnout.
- Nízké napětí akumulátoru:

Zbývající kapacita akumulátoru je příliš nízká a nářadí nebude pracovat. V takovém případě vyjměte akumulátor a dobijte jej.

## Indikace zbývající kapacity akumulátoru

(Pouze pro bloky akumulátorů označené písmenem „B“ na konci čísla modelu.)

► **Obr.3:** 1. Kontrolky 2. Tlačítko CHECK (kontrola)

Stisknutím kontrolního tlačítka na bloku akumulátoru zobrazíte zbývající kapacitu akumulátoru. Kontrolky indikátoru se na několik sekund rozsvítí.

Kontrolky			Zbývající kapacita
Svítil	VYP	Bliká	
■	□	▣	75 až 100 %
■ ■ ■ ■	□		50 až 75 %
■ ■	□ □		25 až 50 %
■	□ □ □		0 až 25 %
▣	□ □ □		Nabijte akumulátor.
■ ■ □ □	↑ ↓	□ □ ■ ■	Došlo pravděpodobně k poruše akumulátoru.

### POZNÁMKA:

- Kapacita udávaná indikátorem se může mírně lišit od kapacity skutečné v závislosti na podmínkách používání a teplotě prostředí.

## Zapínání

### ▲ UPOZORNĚNÍ:

- Před vložením akumulátoru do nástroje vždy zkontrolujte správnou funkci spouště a zda se po uvolnění vrátí do vypnuté polohy.

► **Obr.4:** 1. Spínač A 2. Spínač B 3. Odjišťovací tlačítko

K zajištění vaší bezpečnosti je nářadí vybaveno dvojitým spínacím systémem. Chcete-li zařízení zapnout, stisknete odjišťovací tlačítko a spínače A i B. Uvolněním jednoho ze stisknutých spínačů nářadí vypnete. Pořadí sepnutí není důležité, neboť nářadí se zapne pouze stisknutím obou spínačů.

## Kontrolka

► **Obr.5:** 1. Kontrolka

Po spuštění nářadí se aktivuje kontrolka ukazující stav kapacity bloku akumulátoru.

Při přetížení a zastavení nářadí během provozu se kontrolka rozsvítí červeně.

Stavy kontrolky a příslušná opatření jsou uvedeny v následující tabulce.

Kontrolka	Stav	Prováděná činnost
Kontrolka červeně bliká.	Signalizuje vhodný čas k výměně akumulátoru, jakmile je používán akumulátor téměř vybitý.	Co nejdříve nabijte blok akumulátoru.
Kontrolka se rozsvítí červeně. (Poznámka 1)	Tato funkce je aktivní, pokud je téměř vybitý akumulátor. Nyní se nástroj úplně zastaví.	Nabijte blok akumulátoru.
Kontrolka se rozsvítí červeně. (Poznámka 1)	Došlo k automatickému vypnutí v důsledku přetížení.	Vypněte nářadí.

Poznámka 1: Doba, za jakou se kontrolka rozsvítí, se liší podle teploty na pracovišti a stavu bloku akumulátoru.



# PRÁCE

## ⚠️ UPOZORNĚNÍ:

- Při stříhání dávejte pozor, abyste omylem nezasáhli kovový plot nebo jiné tvrdé objekty. Nože se mohou rozbít a způsobit vážné zranění.
- Přesahování zastříhovačem, zejména ze žebříku, je velice nebezpečné. Při práci nestůjte na kymácejícím se nebo jinak nestabilním povrchu.

**POZOR: Nestříhejte s tímto nářadím větve silnější než 10 mm v průměru.** Před použitím tohoto nářadí odstříhnete větve 10 cm pod úroveň výšky sečení pomocí nůžek na větve.

► **Obr.6:** (1) Výška sečení (2) 10 cm

## ⚠️ UPOZORNĚNÍ:

- Nestříhejte uschlé stromy ani podobné tvrdé objekty. V opačném případě může dojít k poškození nástroje.

► **Obr.7**

Nůžky držte oběma rukama, stiskněte spínače A a B a nářadí vedte před sebou.

► **Obr.8:** 1. Směr stříhání 2. Stříhaný povrch živého plotu 3. Nakloňte čepel

Při stříhání nakloňte čepel ve směru stříhání a pomalu postupujte tak, abyste přes metr délky přešli za 3 až 4 sekundy.

► **Obr.9:** 1. Provázek

Abyste zastříhli horní část živého plotu rovnoměrně, můžete napnout provázek v požadované cílové výšce a při stříhání se řídit podle tohoto provázku.

► **Obr.10**

Připojte-li k nářadí sběrač odřezků (volitelné příslušenství), zamezíte při vodorovném stříhání odlétávání odstřížků.

► **Obr.11**

K dosažení rovnoměrného svislého zástříhu je vhodné stříhat zdola nahoru.

► **Obr.12**

Zimostráz a rododendron stříhejte odzola nahoru, dosáhnete tak pěkného výsledku.

## Montáž a demontáž sběrače odřezků (volitelné příslušenství)

### ⚠️ UPOZORNĚNÍ:

- Před montáží a demontáží sběrače třísek se vždy přesvědčte, zda je nástroj vypnutý a odpojený od elektrické sítě.

### POZNÁMKA:

- Při nasazování sběrače třísek vždy používejte rukavice, aby nedošlo k přímému kontaktu nožů s rukama. V opačném případě může dojít ke zranění.
- Před instalací sběrače třísek vždy sundejte kryt nožů.
- Sběrač třísek zachycuje odstříhnuté listí a usnadňuje jeho sběr. Lze jej nainstalovat na obou stranách nástroje.

- **Obr.13:** 1. Stisknout 2. Sběrač třísek 3. Matice 4. Čepel

Sběrač odřezků nasadte na stříhací nože tak, aby jeho výřezy přesahovaly matice na stříhacích nožích.

- **Obr.14:** 1. Úchyty 2. Nasadte úchyty do drážky 3. Drážky

Sběrač třísek musí být nainstalován tak, aby jeho úchyty zapadly do drážek na čepeli.

- **Obr.15:** 1. Stiskněte páčky po obou stranách 2. Uvolněte úchyty

Chcete-li sběrač třísek sundat, stiskněte páčky na obou stranách, aby se uvolnily úchyty.

### ⚠️ UPOZORNĚNÍ:

- Kryt nožů (standardní vybavení) nelze nasadit na nástroj, když je nainstalován sběrač třísek. Před přenášením nebo skladováním demontujte sběrač třísek a potom nasadte kryt nožů, aby nebyly nože odkryty.

### POZNÁMKA:

- Před použitím zkontrolujte, zda je sběrač třísek nainstalován pevně.
- Nepoužívejte při demontáži sběrače třísek příliš velkou sílu, když jsou úchyty zachyceny v drážkách na čepeli. Při použití příliš velké síly může dojít k jeho poškození.

# ÚDRŽBA

### ⚠️ UPOZORNĚNÍ:

- Před zahájením kontroly nebo údržby nástroje se vždy přesvědčte, zda je nástroj vypnutý a je odpojen akumulátor.

## Čištění nástroje

Nástroj očistěte setřením prachu suchým nebo v mýdlové vodě navlhčeným hadříkem.

### ⚠️ UPOZORNĚNÍ:

- Nikdy nepoužívejte benzín, benzen, ředidlo, alkohol či podobné prostředky. Mohlo by tak dojít ke změnám barvy, deformacím či vzniku prasklin.

## Údržba nožů

Před prací a každou hodinu za provozu nože promažte strojním olejem či podobným prostředkem.

### POZNÁMKA:

- Před mazáním nožů sejměte sběrač odřezků.

Po skončení práce odstraňte drátěným kartáčem z obou stran nožů prach, setřete jej tkaninou, na nože naneste olej s dostatečně nízkou viskozitou, například strojní olej, mazací olej ve spreji atd.

### ⚠️ UPOZORNĚNÍ:

- Nemyjte nože ve vodě. V opačném případě může dojít ke korozi nebo poškození nástroje.

## Demontáž a montáž čepele

### **⚠ UPOZORNĚNÍ:**

- Před sejmutím či nasazením stříhacích nožů se vždy ujistěte, zda je nářadí vypnuté a zda je vyjmut akumulátor.
- Při nasazování čepele vždy používejte rukavice a nesundávejte kryt nožů, aby nedošlo k přímému kontaktu nožů s rukama. V opačném případě může dojít ke zranění.

### **POZNÁMKA:**

- Nestírejte mazivo z převodovky ani kliky. V opačném případě může dojít k poškození nástroje.

## Demontáž čepele

► **Obr.16:** 1. Šrouby 2. Dolní kryt

Nářadí otočte, povolte čtyři šrouby a sejměte spodní kryt.

### **POZNÁMKA:**

- Dávejte pozor, abyste se neušpinili mazivem, které se nachází v okolí pohonu čepele.

► **Obr.17:** 1. Šrouby 2. Pěnovka 3. Podložka

Povolte čtyři šrouby a demontujte nože. Ze stříhacích nožů sejměte podložku s pěnovkou a položte je stranou. Tyto díly budete potřebovat při pozdější montáži.

► **Obr.18:** 1. Ozubené kolo 2. Pouzdra 3. Podložka 4. Drážka

Jestliže v otvorech ozubeného kola zůstala pouzdra, vyjměte ozubené kolo a pouzdra vytlačte ven šroubovákem či podobným nástrojem.

**POZNÁMKA:** Při demontáži kola může ze spodní strany kola vypadnout podložka. Pokud se tak stane, vraťte ji na původní místo tak, jak byla nasazena.

## Montáž čepele

► **Obr.19:** 1. Kryt kotouče

Ze starých stříhacích nožů sejměte kryt a nasadte jej na nové nože, abyste se nezranili o ostří.

► **Obr.20**

Natáčením ozubeného kola seřídte polohu otvorů tak, jak je znázorněno na obrázku.

► **Obr.21:** 1. Vazelína

► **Obr.22:** 1. Vazelína

Podle obrázku naneste trochu maziva dodaného k novým stříhacím nožům.

► **Obr.23:** 1. List 2. Pěnovka 3. Pouzdra

Sejmutou pěnovku nasadte na původní místo. Ujistěte se, zda jsou na čepech nože nasazena pouzdra dodaná k novým stříhacím nožům. Nové nože umístěte do nářadí tak, aby čepy dosedly do otvorů v ozubeném kole. Pokud vám pouzdra z čepů vypadnou, nasadte je nejprve do otvorů v ozubeném kole.

► **Obr.24:** 1. Šrouby 2. Podložka

Namontujte nůž, dotáhněte čtyři šrouby a do původního místa nasadte vyjmutou podložku.

► **Obr.25:** 1. Šrouby

Namontujte spodní kryt a pevně dotáhněte čtyři šrouby.

## Skladování

Otvor k zavěšení v dolní části nářadí se hodí k zavěšení nářadí na hřebík či šroub ve zdi.

► **Obr.26**

Vyjměte blok akumulátoru a na stříhací nože nasadte kryt, aby nebylo odkryto ostří. Nářadí pečlivě uložte mimo dosah dětí.

Uchovávejte nástroj na místě, kde nebude vystaven vodě ani dešti.

Kvůli zachování BEZPEČNOSTI a SPOLEHLIVOSTI výrobku musí být opravy a veškerá další údržba či seřizování prováděny autorizovanými servisními středisky firmy Makita a s použitím náhradních dílů Makita.

## VOLITELNÉ PŘÍSLUŠENSTVÍ

### **⚠ UPOZORNĚNÍ:**

- Pro váš nástroj Makita, popsany v tomto návodu, doporučujeme používat toto příslušenství a nástavce. Při použití jiného příslušenství či nástavců může hrozit nebezpečí zranění osob. Příslušenství a nástavce lze používat pouze pro jejich stanovené účely.

Potřebujete-li bližší informace ohledně tohoto příslušenství, obraťte se na vaše místní servisní středisko firmy Makita.

- Kryt nožů
- Čepel
- Originální akumulátor a nabíječka Makita
- Sběrač odřezků

### **POZNÁMKA:**

- Některé položky seznamu mohou být k zařízením přibaleny jako standardní příslušenství. Přibalené příslušenství se může v různých zemích lišit.



**Makita Europe N.V.** Jan-Baptist Vinkstraat 2,  
3070 Kortenberg, Belgium

**Makita Corporation** 3-11-8, Sumiyoshi-cho,  
Anjo, Aichi 446-8502 Japan

[www.makita.com](http://www.makita.com)

885312D973  
EN, UK, PL, RO,  
DE, HU, SK, CS  
20170822