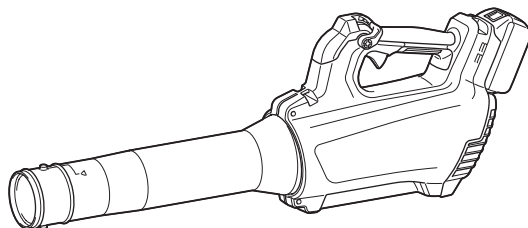




EN	Cordless Blower	INSTRUCTION MANUAL	4
SV	Batteridrivnen lövblås	BRUKSANVISNING	12
NO	Trådløs blåser	BRUKSANVISNING	20
FI	Akkukäyttöinen puhallin	KÄYTTÖOHJE	28
DA	Akku blæser	BRUGSANVISNING	35
LV	Bezvadu pūtējs	LIETOŠANAS INSTRUKCIJA	43
LT	Akumuliatorinis pūstuvvas	NAUDOJIMO INSTRUKCIJA	51
ET	Juhtmeta puhur	KASUTUSJUHEND	59
RU	Акумуляторная воздуходувка	РУКОВОДСТВО ПО ЭКСПЛУАТАЦИИ	66

DUB184



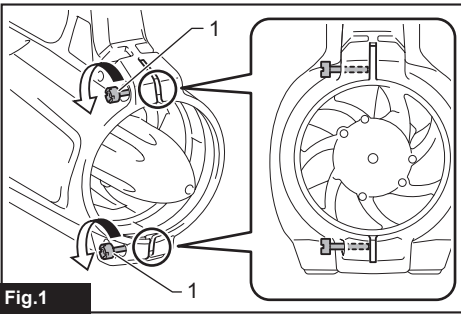


Fig.1

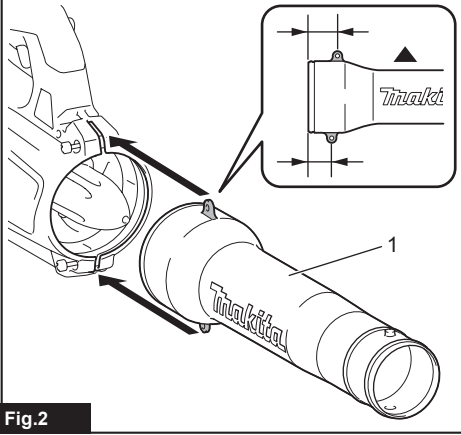


Fig.2

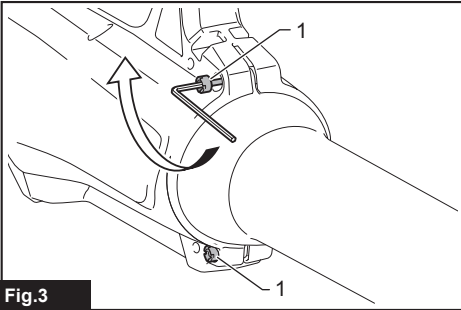


Fig.3

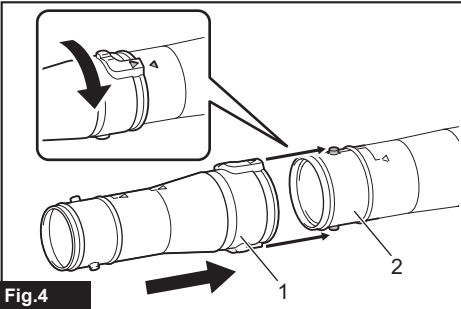


Fig.4

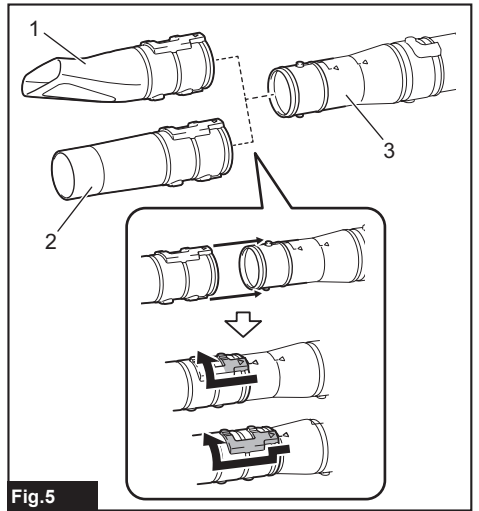


Fig.5

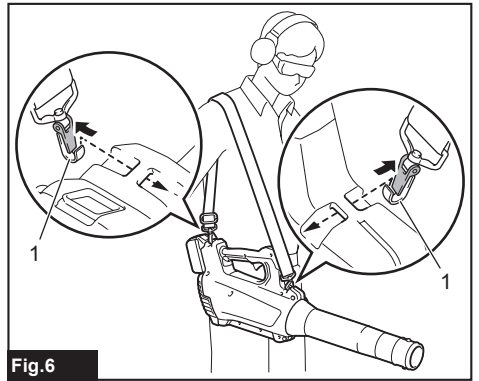


Fig.6

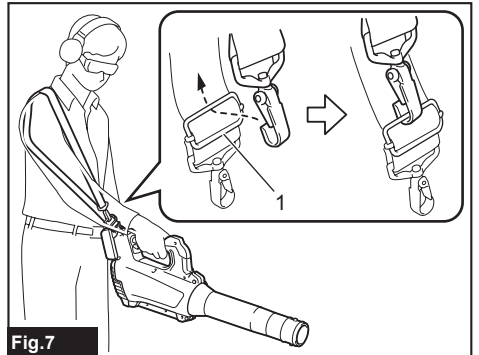


Fig.7

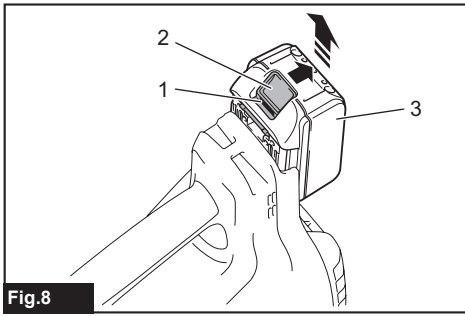


Fig.8

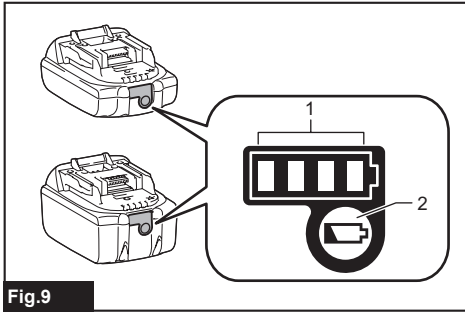


Fig.9

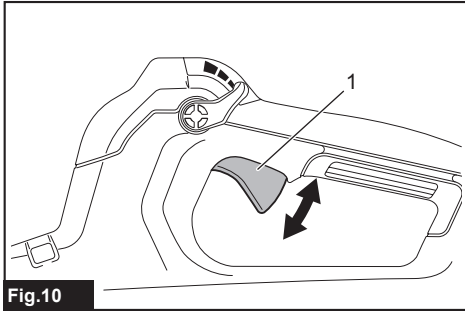


Fig.10

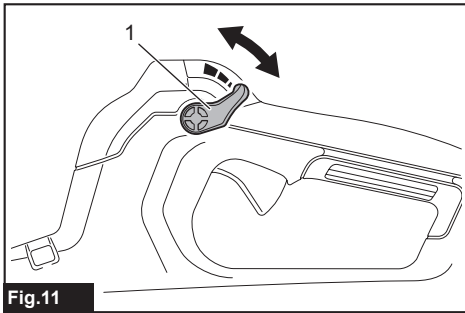


Fig.11

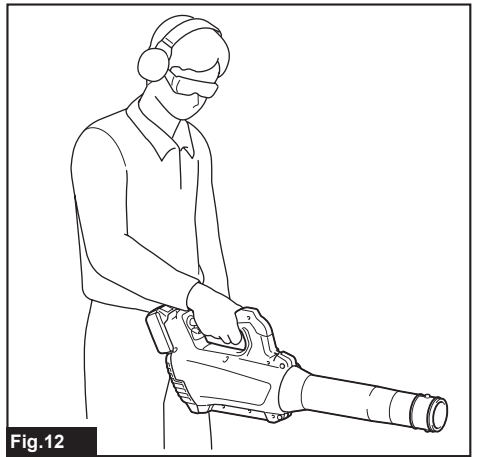


Fig.12

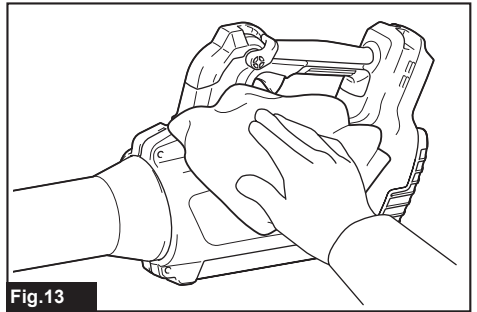


Fig.13

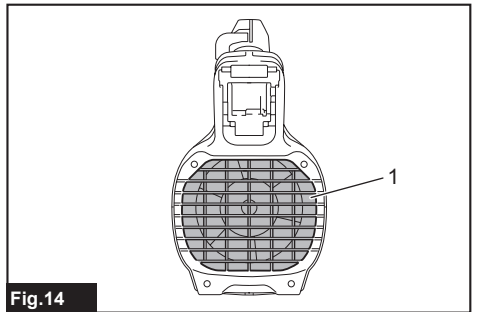


Fig.14

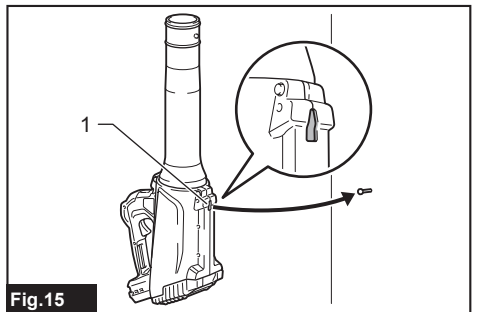


Fig.15

SPECIFICATIONS

Model:		DUB184
Capacities	Air volume	0 - 13.0 m ³ /min
	Air speed (average)	0 - 43.2 m/s
	Air speed (max.)	0 - 52.1 m/s
Overall length (with front nozzle)		825 mm
Rated voltage		D.C. 18 V
Net weight		2.5 - 3.0 kg

- Due to our continuing program of research and development, the specifications herein are subject to change without notice.
- Specifications may differ from country to country.
- The weight may differ depending on the attachment(s), including the battery cartridge. The lightest and heaviest combinations, according to EPTA-Procedure 01/2014, are shown in the table.

Applicable battery cartridge and charger

Battery cartridge	BL1815N / BL1820B / BL1830B / BL1840B / BL1850B / BL1860B
Charger	DC18RC / DC18RD / DC18RE / DC18SD / DC18SE / DC18SF / DC18SH / DC18WC

- Some of the battery cartridges and chargers listed above may not be available depending on your region of residence.

⚠ WARNING: Only use the battery cartridges and chargers listed above. Use of any other battery cartridges and chargers may cause injury and/or fire.








Recommended cord connected power source

Portable power pack	PDC01
---------------------	-------

- The cord connected power source(s) listed above may not be available depending on your region of residence.
- Before using the cord connected power source, read instruction and cautionary markings on them.

Symbols

The followings show the symbols which may be used for the equipment. Be sure that you understand their meaning before use.

	Take particular care and attention.
	Read instruction manual.
	Keep hands away from rotating parts.
	Long hair may cause entanglement accident.
	Keep bystanders away.
	Wear eye and ear protection.
	Do not expose to moisture.



Only for EU countries
 Due to the presence of hazardous components in the equipment, waste electrical and electronic equipment, accumulators and batteries may have a negative impact on the environment and human health. Do not dispose of electrical and electronic appliances or batteries with household waste!

In accordance with the European Directive on waste electrical and electronic equipment and on accumulators and batteries and waste accumulators and batteries, as well as their adaptation to national law, waste electrical equipment, batteries and accumulators should be stored separately and delivered to a separate collection point for municipal waste, operating in accordance with the regulations on environmental protection.

This is indicated by the symbol of the crossed-out wheeled bin placed on the equipment.



Guaranteed sound power level according to EU Outdoor Noise Directive.



Sound power level according to Australia
NSW Noise Control Regulation.

Intended use

The machine is intended for blowing dust.

Noise

The typical A-weighted noise level determined according to EN50636-2-100:

Sound pressure level (L_{pA}): 86.6 dB (A)

Uncertainty (K): 1.4 dB (A)

Sound power level (L_{WA}): 93.5 dB (A)

Uncertainty (K): 2.7 dB (A)

NOTE: The declared noise emission value(s) has been measured in accordance with a standard test method and may be used for comparing one tool with another.

NOTE: The declared noise emission value(s) may also be used in a preliminary assessment of exposure.

⚠ WARNING: Wear ear protection.

⚠ WARNING: The noise emission during actual use of the power tool can differ from the declared value(s) depending on the ways in which the tool is used especially what kind of workpiece is processed.

⚠ WARNING: Be sure to identify safety measures to protect the operator that are based on an estimation of exposure in the actual conditions of use (taking account of all parts of the operating cycle such as the times when the tool is switched off and when it is running idle in addition to the trigger time).

Vibration

The vibration total value (tri-axial vector sum) determined according to EN50636-2-100:

Work mode: operation without load

Vibration emission (a_h): 2.5 m/s² or less

Uncertainty (K): 1.5 m/s²

NOTE: The declared vibration total value(s) has been measured in accordance with a standard test method and may be used for comparing one tool with another.

NOTE: The declared vibration total value(s) may also be used in a preliminary assessment of exposure.

⚠ WARNING: The vibration emission during actual use of the power tool can differ from the declared value(s) depending on the ways in which the tool is used especially what kind of workpiece is processed.

⚠ WARNING: Be sure to identify safety measures to protect the operator that are based on an estimation of exposure in the actual conditions of use (taking account of all parts of the operating cycle such as the times when the tool is switched off and when it is running idle in addition to the trigger time).

Declarations of Conformity

For European countries only

The Declarations of conformity are included in Annex A to this instruction manual.

SAFETY WARNINGS

Cordless Blower Safety Instructions

⚠ WARNING: Read all safety warnings and all instructions. Failure to follow the warnings and instructions may result in electric shock, fire and/or serious injury.

Save all warnings and instructions for future reference.

Training

1. Read the instructions carefully. Be familiar with the controls and the correct use of the blower.
2. Never allow children, persons with reduced physical, sensory or mental capabilities or lack of experience and knowledge or people unfamiliar with these instructions to use the blower. Local regulations may restrict the age of the operator.
3. Never operate the blower while people, especially children, or pets are nearby.
4. Keep in mind that the operator or user is responsible for accidents or hazards occurring to other people or their property.

Preparation

1. Always wear substantial footwear and long trousers while operating the blower.
2. Do not wear loose clothing or jewellery that can be drawn into the air inlet. Keep long hair away from the air inlets.
3. Always wear protective goggles to protect your eyes from injury when using power tools. The goggles must comply with ANSI Z87.1 in the USA, EN 166 in Europe, or AS/NZS 1336 in Australia/New Zealand. In Australia/New Zealand, it is legally required to wear a face shield to protect your face, too.



It is an employer's responsibility to enforce the use of appropriate safety protective equipments by the tool operators and by other persons in the immediate working area.

4. To prevent dust irritation the wearing of a face mask is recommended.
5. While operating the machine, always wear non-slip and protective footwear. Non-skid, closed-toed safety boots and shoes will reduce the risk of injury.
6. Use personal protective equipment. Always wear eye protection. Protective equipment such as a dust mask, non-skid safety shoes, hard hat or hearing protection used for appropriate conditions will reduce personal injuries.

Operation

1. Switch off the blower and remove the battery cartridge and make sure that all moving parts have come to a complete stop
 - whenever you leave the blower.
 - before clearing blockages.
 - before checking, cleaning or working on the blower.
 - if the blower starts to vibrate abnormally.
2. Operate the blower only in daylight or in good artificial light.
3. Do not overreach and keep proper balance and footing at all times.
4. Always be sure of your footing on slopes.
5. Walk, never run.
6. Keep all cooling air inlets clear of debris.
7. Never blow debris in the direction of bystanders.
8. Operate the blower in a recommended position and on a firm surface.
9. Do not operate the blower at high places.
10. Never point the nozzle at anyone in the vicinity when using the blower.
11. Never block suction inlet and/or blower outlet.
 - Be careful not to block suction inlet or blower outlet with dust or dirt when operating in dusty area.
 - Do not use nozzles other than the nozzles provided by Makita.
 - Do not use the blower to inflate balls, rubber boat or the similar.
12. Do not operate the blower near open window, etc.

13. Operating the blower only at reasonable hours is recommended - not early in the morning or late at night when people might be disturbed.
14. Using rakes and brooms to loosen debris before blowing is recommended.
15. If the blower strikes any foreign objects or should start making any unusual noise or vibration, immediately switch off the blower to stop it. Remove the battery cartridge from the blower and inspect the blower for damage before restarting and operating the blower. If the blower is damaged, ask Makita Authorized Service Centers for repair.
16. Do not insert fingers or other objects into suction inlet or blower outlet.
17. Prevent unintentional starting. Ensure the switch is in the off-position before inserting battery cartridge, picking up or carrying the blower. Carrying the blower with your finger on the switch or energizing the blower that has the switch on invites accidents.
18. Never blow dangerous materials, such as nails, fragments of glass, or blades.
19. Do not operate the blower near flammable materials.
20. Avoid operating the blower for a long time in low temperature environment.

Maintenance and storage

1. Keep all nuts, bolts and screws tight to be sure the blower is in safe working condition.
2. If the parts are worn or damaged, replace them with parts provided by Makita.
3. Store the blower in a dry place out of the reach of children.
4. When you stop the blower for inspection, servicing, storage, or changing accessory, switch off the blower and make sure that all moving parts come to a complete stop, and remove the battery cartridge. Cool down the blower before making any work on the blower. Maintain the blower with care and keep it clean.
5. Always cool down the blower before storing.
6. Do not expose the blower to rain. Store the blower indoors.
7. When you lift the blower, be sure to bend your knees and be careful not to hurt your back.

Battery tool use and care

1. Recharge only with the charger specified by the manufacturer. A charger that is suitable for one type of battery pack may create a risk of fire when used with another battery pack.
2. Use power tools only with specifically designated battery packs. Use of any other battery packs may create a risk of injury and fire.
3. When battery pack is not in use, keep it away from other metal objects, like paper clips, coins, keys, nails, screws or other small metal objects, that can make a connection from one terminal to another. Shorting the battery terminals together may cause burns or a fire.
4. Under abusive conditions, liquid may be ejected from the battery; avoid contact. If contact accidentally occurs, flush with water. If

liquid contacts eyes, additionally seek medical help. Liquid ejected from the battery may cause irritation or burns.

5. **Do not use a battery pack or tool that is damaged or modified.** Damaged or modified batteries may exhibit unpredictable behaviour resulting in fire, explosion or risk of injury.
6. **Do not expose a battery pack or tool to fire or excessive temperature.** Exposure to fire or temperature above 130 °C may cause explosion.
7. **Follow all charging instructions and do not charge the battery pack or tool outside the temperature range specified in the instructions.** Charging improperly or at temperatures outside the specified range may damage the battery and increase the risk of fire.

Electrical and battery safety

1. **Do not dispose of the battery(ies) in a fire.** The cell may explode. Check with local codes for possible special disposal instructions.
2. **Do not open or mutilate the battery(ies).** Released electrolyte is corrosive and may cause damage to the eyes or skin. It may be toxic if swallowed.
3. **Do not charge battery in rain, or in wet locations.**
4. **Do not charge the battery outdoors.**
5. **Do not handle charger, including charger plug, and charger terminals with wet hands.**

Service

1. **Have your power tool serviced by a qualified repair person using only identical replacement parts.** This will ensure that the safety of the power tool is maintained.
2. **Never service damaged battery packs.** Service of battery packs should only be performed by the manufacturer or authorized service providers.

SAVE THESE INSTRUCTIONS.

⚠WARNING: DO NOT let comfort or familiarity with product (gained from repeated use) replace strict adherence to safety rules for the subject product.

MISUSE or failure to follow the safety rules stated in this instruction manual may cause serious personal injury.

Important safety instructions for battery cartridge

1. **Before using battery cartridge, read all instructions and cautionary markings on (1) battery charger, (2) battery, and (3) product using battery.**
2. **Do not disassemble or tamper with the battery cartridge.** It may result in a fire, excessive heat, or explosion.
3. **If operating time has become excessively shorter, stop operating immediately.** It may result in a risk of overheating, possible burns and even an explosion.
4. **If electrolyte gets into your eyes, rinse them out with clear water and seek medical attention**

right away. It may result in loss of your eyesight.

5. **Do not short the battery cartridge:**
 - (1) **Do not touch the terminals with any conductive material.**
 - (2) **Avoid storing battery cartridge in a container with other metal objects such as nails, coins, etc.**
 - (3) **Do not expose battery cartridge to water or rain.**

A battery short can cause a large current flow, overheating, possible burns and even a breakdown.
6. **Do not store and use the tool and battery cartridge in locations where the temperature may reach or exceed 50 °C (122 °F).**
7. **Do not incinerate the battery cartridge even if it is severely damaged or is completely worn out. The battery cartridge can explode in a fire.**
8. **Do not nail, cut, crush, throw, drop the battery cartridge, or hit against a hard object to the battery cartridge.** Such conduct may result in a fire, excessive heat, or explosion.
9. **Do not use a damaged battery.**
10. **The contained lithium-ion batteries are subject to the Dangerous Goods Legislation requirements.**

For commercial transports e.g. by third parties, forwarding agents, special requirement on packaging and labeling must be observed.
For preparation of the item being shipped, consulting an expert for hazardous material is required. Please also observe possibly more detailed national regulations.
Tape or mask off open contacts and pack up the battery in such a manner that it cannot move around in the packaging.
11. **When disposing the battery cartridge, remove it from the tool and dispose of it in a safe place. Follow your local regulations relating to disposal of battery.**
12. **Use the batteries only with the products specified by Makita.** Installing the batteries to non-compliant products may result in a fire, excessive heat, explosion, or leak of electrolyte.
13. **If the tool is not used for a long period of time, the battery must be removed from the tool.**
14. **During and after use, the battery cartridge may take on heat which can cause burns or low temperature burns. Pay attention to the handling of hot battery cartridges.**
15. **Do not touch the terminal of the tool immediately after use as it may get hot enough to cause burns.**
16. **Do not allow chips, dust, or soil stuck into the terminals, holes, and grooves of the battery cartridge.** It may cause heating, catching fire, burst and malfunction of the tool or battery cartridge, resulting in burns or personal injury.
17. **Unless the tool supports the use near high-voltage electrical power lines, do not use the battery cartridge near high-voltage electrical power lines.** It may result in a malfunction or breakdown of the tool or battery cartridge.

18. Keep the battery away from children.

SAVE THESE INSTRUCTIONS.

⚠ CAUTION: Only use genuine Makita batteries. Use of non-genuine Makita batteries, or batteries that have been altered, may result in the battery bursting causing fires, personal injury and damage. It will also void the Makita warranty for the Makita tool and charger.

Tips for maintaining maximum battery life

1. Charge the battery cartridge before completely discharged. Always stop tool operation and charge the battery cartridge when you notice less tool power.
2. Never recharge a fully charged battery cartridge. Overcharging shortens the battery service life.
3. Charge the battery cartridge with room temperature at 10 °C - 40 °C (50 °F - 104 °F). Let a hot battery cartridge cool down before charging it.
4. When not using the battery cartridge, remove it from the tool or the charger.
5. Charge the battery cartridge if you do not use it for a long period (more than six months).

ASSEMBLY

⚠ CAUTION: Always be sure that the machine is switched off and the battery cartridge is removed before carrying out any work on the machine.

Installing the front nozzle

1. Loosen 2 screws with the hex wrench, and then pull the screws all the way.
▶ **Fig.1:** 1. Screw
2. Make sure that the Makita logo on the front nozzle is facing the direction shown in the figure, and then attach the front nozzle to the machine.
▶ **Fig.2:** 1. Front nozzle
3. Tighten the screws with the hex wrench.
▶ **Fig.3:** 1. Screw

Installing the flat nozzle or extension nozzle

Optional accessory

1. Attach the adapter pipe to the front nozzle, and then turn it clockwise to lock it into place.
▶ **Fig.4:** 1. Adapter pipe 2. Front nozzle
2. Attach the flat nozzle or extension nozzle to the adapter pipe, and then turn it to lock it into place.
▶ **Fig.5:** 1. Flat nozzle 2. Extension nozzle 3. Adapter pipe

Installing the gutter nozzle

Optional accessory

The gutter nozzle can be installed on the blower. The adapter pipe designed exclusively for this model is required to install the gutter nozzle. For more details, refer to the instruction manual provided with the gutter nozzle.

Installing the water blowing nozzle

Optional accessory

The water blowing nozzle can be installed on the blower. For more details, refer to the instruction manual provided with the water blowing nozzle.

Attaching the shoulder strap

Optional accessory

⚠ CAUTION: Be sure to attach the hooks of the shoulder strap to the machine securely. If the hooks are attached incompletely, they may come off and cause an injury.

⚠ CAUTION: Be sure to use the shoulder strap dedicated to this machine. Using other shoulder strap may cause an injury.

⚠ CAUTION: When you use the machine in combination of the backpack-type power supply such as portable power pack, do not use the shoulder strap included in the machine package.

If you put on the shoulder strap included in the machine package and the shoulder harness of the backpack-type power supply at the same time, removing the machine or backpack-type power supply is difficult in case of an emergency, and it may cause an accident or injury.

Attach the hooks of the shoulder strap to the machine as shown in the figure.

▶ **Fig.6:** 1. Hook

You can also attach the shoulder strap to the machine as shown in the figure by attaching one end of the shoulder strap to the buckle of the shoulder strap.

▶ **Fig.7:** 1. Buckle

FUNCTIONAL DESCRIPTION

⚠ CAUTION: Always be sure that the machine is switched off and the battery cartridge is removed before adjusting or checking function on the machine.

Installing or removing battery cartridge

⚠ CAUTION: Always switch off the machine before installing or removing of the battery cartridge.

⚠ CAUTION: Hold the machine and the battery cartridge firmly when installing or removing battery cartridge. Failure to hold the machine and the battery cartridge firmly may cause them to slip off your hands and result in damage to the machine and battery cartridge and a personal injury.

⚠ CAUTION: Always install the battery cartridge fully until the red indicator cannot be seen. If not, it may accidentally fall out of the machine, causing injury to you or someone around you.

⚠ CAUTION: Do not install the battery cartridge forcibly. If the cartridge does not slide in easily, it is not being inserted correctly.

► **Fig.8:** 1. Red indicator 2. Button 3. Battery cartridge

To remove the battery cartridge, slide it from the machine while sliding the button on the front of the cartridge.

To install the battery cartridge, align the tongue on the battery cartridge with the groove in the housing and slip it into place. Insert it all the way until it locks in place with a little click. If you can see the red indicator on the upper side of the button, it is not locked completely.

Indicating the remaining battery capacity

Only for battery cartridges with the indicator

Press the check button on the battery cartridge to indicate the remaining battery capacity. The indicator lamps light up for a few seconds.

► **Fig.9:** 1. Indicator lamps 2. Check button

Indicator lamps			Remaining capacity
Lighted	Off	Blinking	
■	□	▧	75% to 100%
■ ■ ■ ■			
■ ■ ■	□		50% to 75%
■ ■	□ □		25% to 50%
■	□ □ □		0% to 25%
▧	□ □ □		Charge the battery.
■ ■	□ □		The battery may have malfunctioned.
□ □	■ ■		

NOTE: Depending on the conditions of use and the ambient temperature, the indication may differ slightly from the actual capacity.

NOTE: The first (far left) indicator lamp will blink when the battery protection system works.

Machine/battery protection system

The machine is equipped with a machine/battery protection system. This system automatically cuts off power to the motor to extend machine and battery life. The machine will automatically stop during operation if the machine or battery is placed under one of the following conditions:

Overload protection

When the machine or battery is operated in a manner that causes it to draw an abnormally high current, the machine automatically stops without any indication. In this situation, turn the machine off and stop the application that caused the machine to become overloaded. Then turn the machine on to restart.

Overheat protection

When the machine or battery is overheated, the machine stops automatically. In this case, let the machine and battery cool before turning the machine on again.

Overdischarge protection

When the battery capacity is not enough, the machine stops automatically. In this case, remove the battery from the machine and charge the battery.

Switch action

⚠ WARNING: Before installing the battery cartridge into the machine, always check to see that the switch trigger actuates properly and returns to the "OFF" position when released.

► **Fig.10:** 1. Switch trigger

To start the machine, simply pull the switch trigger. The speed increases by increasing pressure on the switch trigger. Release the switch trigger to stop.

Cruise control function

The cruise control function allows the operator to maintain a constant speed without pulling the trigger. To increase the speed, turn the control lever forward. To decrease the speed, turn the control lever backward.

► **Fig.11:** 1. Control lever

Accidental re-start preventive function

Even if you install the battery cartridge while pulling the switch trigger, the machine does not start. To start the machine, first release the switch trigger and return the control lever fully, and then pull the switch trigger.

OPERATION

⚠ CAUTION: Do not place the machine on the ground while it is switched on. Sand or dust may enter from suction inlet and cause a malfunction or personal injury.

Hold the machine firmly with a hand and perform the blowing operation by moving it around slowly. When blowing around building, big stone or vehicle, direct the nozzle away from them. When performing an operation in a corner, start from the corner and then move to wide area.

► Fig.12

MAINTENANCE

⚠ CAUTION: Always be sure that the machine is switched off and the battery cartridge is removed before attempting to perform inspection or maintenance.

To maintain product SAFETY and RELIABILITY, repairs, any other maintenance or adjustment should be performed by Makita Authorized or Factory Service Centers, always using Makita replacement parts.

Cleaning the machine

Clean the machine by wiping off dust with a dry cloth or one dipped in soapy water and wrung out.

► Fig.13

NOTICE: Never use gasoline, benzine, thinner, alcohol or the like. Discoloration, deformation or cracks may result.

Remove dust or dirt from the suction inlet at the rear of the machine.

► Fig.14: 1. Suction inlet

Storage

The hook hole on the bottom of the machine is convenient for hanging the machine from a nail or screw on the wall. Store the machine in a place out of the reach of children and not exposed to moisture or rain.

► Fig.15: 1. Hole

TROUBLESHOOTING

Before asking for repairs, conduct your own inspection first. If you find a problem that is not explained in the manual, do not attempt to dismantle the machine. Instead, ask Makita Authorized Service Centers, always using Makita replacement parts for repairs.

State of abnormality	Probable cause (malfunction)	Remedy
Motor does not run.	Battery cartridge is not installed.	Install the battery cartridge.
	Battery problem (under voltage)	Recharge the battery. If recharging is not effective, replace battery.
	The drive system does not work correctly.	Ask your local authorized service center for repair.
Motor stops running after a little use.	Battery's charge level is low.	Recharge the battery. If recharging is not effective, replace battery.
	Overheating.	Stop using the machine to allow it to cool down.
The machine does not reach the maximum speed.	Battery is installed improperly.	Install the battery cartridge as described in this manual.
	Battery power is dropping.	Recharge the battery. If recharging is not effective, replace battery.
	The drive system does not work correctly.	Ask your local authorized service center for repair.
Abnormal vibration: ⇒ stop the machine immediately!	The drive system does not work correctly.	Ask your local authorized service center for repair.
Motor cannot stop: ⇒ Remove the battery immediately!	Electric or electronic malfunction.	Remove the battery and ask your local authorized service center for repair.

OPTIONAL ACCESSORIES

⚠ CAUTION: These accessories or attachments are recommended for use with your Makita product specified in this manual. The use of any other accessories or attachments might present a risk of injury to persons. Only use accessory or attachment for its stated purpose.

If you need any assistance for more details regarding these accessories, ask your local Makita Service Center.

- Adapter pipe
- Extension nozzle
- Flat nozzle
- Gutter nozzle
- Water blowing nozzle
- Shoulder strap
- Makita genuine battery and charger

NOTE: Some items in the list may be included in the product package as standard accessories. They may differ from country to country.

SPECIFIKATIONER

Modell:		DUB184
Kapaciteter	Luftvolym	0 - 13,0 m ³ /min
	Lufthastighet (genomsnitt)	0 - 43,2 m/s
	Lufthastighet (max)	0 - 52,1 m/s
Total längd (med frammunstycke)		825 mm
Märkspänning		18 V likström
Nettovikt		2,5 - 3,0 kg

- På grund av vårt pågående program för forskning och utveckling kan dessa specifikationer ändras utan föregående meddelande.
- Specifikationer kan variera mellan olika länder.
- Vikten kan variera beroende på tillbehören, inklusive batterikassett. Den lättaste och den tyngsta kombinationen enligt EPTA-procedur 01/2014 visas i tabellen.

Tillgänglig batterikassett och laddare

Batterikassett	BL1815N / BL1820B / BL1830B / BL1840B / BL1850B / BL1860B
Laddare	DC18RC / DC18RD / DC18RE / DC18SD / DC18SE / DC18SF / DC18SH / DC18WC

- Vissa av batterikassetterna och laddarna på listan ovan kanske inte finns tillgängliga i din region.

⚠ VARNING: Använd endast batterikassetter och laddare från listan ovan. Användning av andra batterikassetter och laddare kan orsaka personskada och/eller brand.

Rekommenderad sladdansluten strömkälla

Bärbart strömpaket	PDC01
--------------------	-------

- De(n) sladdanslutna strömkällan/strömkällorna på listan ovan kanske inte finns tillgängliga i din region.
- Innan du använder den sladdanslutna strömkällan ska du läsa instruktionen och varningsmärkena på den.

Symboler

Följande visar symbolerna som kan användas för utrustningen. Se till att du förstår innebörden innan användning.

	Var extra försiktig och uppmärksam.
	Läs igenom bruksanvisningen.
	Håll händerna på behörigt avstånd från roterande delar.
	Långt hår kan fastna och orsaka en olycka.
	Håll omgivande personer på avstånd.
	Bär ögon- och öronskydd.
	Utsätt inte för fukt.



Gäller endast inom EU
P.g.a. förekomsten av farliga komponenter i utrustningen kan avfall innehållande elektrisk och elektronisk utrustning, ackumulatörer och batterier ha negativ inverkan på miljön och människors hälsa. Kasserar inte elektriska och elektroniska apparater eller batterier ihop med hushållsavfall!
I enlighet med EU-direktiven om avfall som görs av eller innehåller elektrisk och elektronisk utrustning och om batterier och ackumulatörer och förbrukade batterier och ackumulatörer och förbrukade batterier och ackumulatörer, och dess införlivande i nationell lagstiftning, bör förbrukad elektrisk och elektronisk utrustning, batterier och ackumulatörer förvaras separat och transporteras till en särskild uppsamlingsplats för kommunalt avfall, som drivs i enlighet med regelverket för miljöskydd. Detta anges av symbolen med den överkryssade soptunnan på hjul som sitter på utrustningen.



Garanterad ljudeffektnivå enligt EU-direktivet för utomhusbuller.



Ljudeffektnivå enligt Australia NSW Noise Control Regulation (Bullerreglering)

Avsedd användning

Maskinen är avsedd för dammblåsning.

Buller

Den normala bullernivån för A-belastning är bestämd enligt EN50636-2-100:

Ljudtrycksnivå (L_{pA}) : 86,6 dB (A)

Måttolerans (K): 1,4 dB (A)

Ljudeffektnivå (L_{WA}) : 93,5 dB (A)

Måttolerans (K): 2,7 dB (A)

OBS: Det deklarerade bullervärdet har uppmätts i enlighet med standardtestmetoden och kan användas för jämförandet av en maskin med en annan.

OBS: Det deklarerade bulleremissionsvärdet kan också användas i en preliminär bedömning av exponering för vibration.

⚠ VARNING: Använd hörselskydd.

⚠ VARNING: Bulleremissionen under faktisk användning av maskinen kan skilja sig från det deklarerade värdet, beroende på hur maskinen används och särskilt vilken typ av arbetsstycke som behandlas.

⚠ VARNING: Var noga med att identifiera säkerhetsåtgärder för att skydda användaren, vilka är grundade på en uppskattning av graden av exponering för vibrationer under de faktiska användningsförhållandena, (ta, förutom avtryckartiden, med alla delar av användarcykeln i beräkningen, som till exempel tiden då maskinen är avstängd och när den går på tomgång).

Vibration

Det totala vibrationsvärdet (treaxlad vektorsumma) bestämt enligt EN50636-2-100:

Arbetsläge: drift utan last

Vibrationsemission (a_h) : 2,5 m/s² eller lägre

Måttolerans (K): 1,5 m/s²

OBS: Det deklarerade totala vibrationsvärdet har uppmätts i enlighet med standardtestmetoden och kan användas för jämförandet av en maskin med en annan.

OBS: Det deklarerade totala vibrationsvärdet kan också användas i en preliminär bedömning av exponering för vibration.

⚠ VARNING: Vibrationsemissionen under faktisk användning av maskinen kan skilja sig från det deklarerade värdet, beroende på hur maskinen används och särskilt vilken typ av arbetsstycke som behandlas.

⚠ VARNING: Var noga med att identifiera säkerhetsåtgärder för att skydda användaren, vilka är grundade på en uppskattning av graden av exponering för vibrationer under de faktiska användningsförhållandena, (ta, förutom avtryckartiden, med alla delar av användarcykeln i beräkningen, som till exempel tiden då maskinen är avstängd och när den går på tomgång).

Försäkran om överensstämmelse

Gäller endast inom EU

Försäkran om överensstämmelse ingår i bilaga A till denna bruksanvisning.

SÄKERHETSVARNINGAR

Säkerhetsinstruktioner för batteridrivna lövblås

⚠ VARNING: Läs igenom alla säkerhetsvarningar och anvisningar. Underlåtenhet att följa varningar och instruktioner kan leda till elstöt, brand och/eller allvarliga personskador.

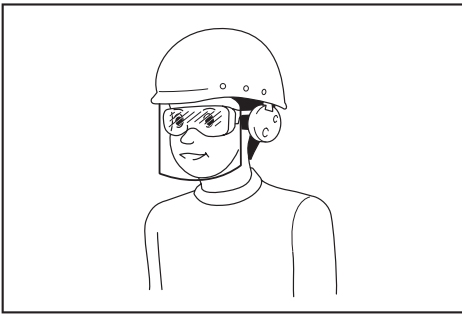
Spara alla varningar och instruktioner för framtida referens.

Utbildning

1. Läs anvisningarna noggrant. Var förtrogen med styrreglagen och korrekt användning av lövblåsen.
2. Låt aldrig barn eller personer med nedsatt fysisk, sensorisk eller mental förmåga, eller personer som saknar kunskap och erfarenhet av maskinen eller som ej är förtrogna med dessa anvisningar, använda lövblåsen. Lokala bestämmelser anger eventuellt en åldersgräns för användaren.
3. Använd aldrig lövblåsen när personer (speciellt barn) eller djur finns i närheten.
4. Glöm inte att användaren är ansvarig för olyckor eller eventuell fara gentemot andra personer och deras egendom.

Föberedelse

1. Bär alltid lämpliga skor och långbyxor vid arbete med lövblåsen.
2. Bär inte löst sittande kläder eller smycken som kan sugas in i luftintaget. Håll långt hår borta från luftintagen.
3. Bär alltid skyddsglasögon för att skydda dina ögon från skada när du använder e-verktyg. Skyddsglasögonen måste uppfylla ANSI Z87.1 i USA, EN 166 i Europa, eller AS/NZS 1336 i Australien/Nya Zeeland. I Australien/Nya Zeeland måste man enligt lag även bära ansiktsskydd för att skydda ansiktet.



Det är arbetsgivarens ansvar att se till att användare och övriga personer i det omedelbara arbetsområdet använder lämplig skyddsutrustning.

4. Det rekommenderas att bära ansiktsmask för att förhindra dammirritation.
5. Bär alltid halkfria skydds skor när du använder maskinen. Halkfria skyddsstövlar och -skor minskar risken för skada.
6. Använd personlig säkerhetsutrustning. Använd alltid skyddsglasögon. Användning av skyddsutrustning, som till exempel dammask, halkfria skor, skyddshjälm och hörselskydd, under lämpliga förhållanden minskar risken för personskadorna.

Användning

1. Stäng av lövblåsen och ta ut batterikassetten och se till att alla rörliga delar har slutat rotera
 - när du lämnar lövblåsen.
 - innan du tar bort något som fastnat.
 - innan kontroller, rengöring eller arbete utförs på lövblåsen.
 - om lövblåsen får ovanliga vibrationer.
2. Använd endast lövblåsen i dagsljus eller i god belysning.
3. Sträck dig inte för långt och håll alltid god balans och bra fotfäste.
4. Se alltid till att ha balans på slutningar.
5. Gå, spring aldrig.
6. Håll alla kylluftinlopp fria från skräp.
7. Blås aldrig skräp i riktning mot kringstående.
8. Använd lövblåsen i rekommenderad position och på en stabil yta.
9. Använd inte lövblåsen på högt belägna ställen.
10. Rikta aldrig munstycket mot någon i omgivningen när lövblåsen används.
11. Blockera aldrig lövblåsens insug och/eller utblås.
 - Var noga med att inte blockera insug eller utblåset med damm eller smuts vid användning i dammiga områden.
 - Använd inga andra munstycken än de som levereras av Makita.
 - Använd inte lövblåsen för att blåsa upp bollar, gummibåtar eller liknande.
12. Använd inte lövblåsen i närheten av öppna fönster osv.
13. Det rekommenderas att lövblåsen endast

används vid lämpliga tidpunkter – inte tidigt på morgonen eller sent på kvällen då folk kan störas.

14. Det rekommenderas att löv och skräp lossas genom att man först krattar och sopar innan lövblåsen används.
15. Om lövblåsen träffar ett föremål, eller börjar låta eller vibrera konstigt, stäng omedelbart av den. Ta ur batterikassetten från lövblåsen och kontrollera lövblåsen efter skador innan du startar om och använder lövblåsen. Om lövblåsen är skadad, kontakta ett auktoriserat Makita-servicecenter för reparation.
16. För inte in fingrar eller andra föremål i lövblåsens insug eller utblås.
17. Förhindra oavsiktlig start. Försäkra dig om att strömbrytaren står i avstängt läge innan du sätter in batterikassetten, tar upp eller bär lövblåsen. Att bära lövblåsen med fingrarna på avtryckaren, eller strömsätta den när avtryckaren är intryckt, inbjuder till olyckor.
18. Blås aldrig farliga material som spikar, glasskärvor eller sågblad.
19. Använd inte lövblåsen i närheten av lättantändligt material.
20. Undvik att långvarigt använda lövblåsen i en omgivning med låg temperatur.

Underhåll och förvaring

1. Se till att alla muttrar, bultar och skruvar är åtdragna för att alltid bibehålla lövblåsen i säkert arbetsskick.
2. Om delarna blir slitna eller skadade, ska de ersättas med delar som tillhandahålls av Makita.
3. Förvara lövblåsen på en säker plats utom räckhåll för barn.
4. När du stoppar lövblåsen för inspektion, service, förvaring eller byte av tillbehör, ska du stänga av lövblåsen och se till att alla rörliga delar stannar helt, och ta bort batterikassetten. Låt lövblåsen svalna innan något arbete utförs. Underhåll lövblåsen med omsorg och håll den ren.
5. Låt alltid lövblåsen svalna innan förvaring.
6. Utsätt inte lövblåsen för regn. Förvara lövblåsen inomhus.
7. När du lyfter lövblåsen, se då till att böja knäna och var noga med att inte skada ryggen.

Användning och underhåll av batteri

1. Ladda endast med den batteriladdare som angetts av tillverkaren. En laddare som passar en viss typ av batterier kan skapa risk för brand när den används tillsammans med annat batteri.
2. Använd endast maskiner tillsammans med tillhörande batterier. Om andra batterier används kan risken för personskada och brand öka.
3. När batteriet inte används bör det hållas borta från andra metallföremål som till exempel gem, mynt, nycklar, spik, skruv eller andra små metallföremål som kan skapa anslutning från en terminal till en annan. Kortslutning av batteripolerna kan orsaka brännskador eller brand.
4. Under hårda förhållanden kan det komma

vätska ur batteriet. Undvik kontakt. Spola med vatten om kontakt ändå råkar uppstå. Om vätskan kommer i kontakt med ögonen bör läkare uppsökas. Vätska från batteriet kan orsaka irritation på huden eller ge brännskador.

5. **Använd inte ett batteripaket eller maskin som är skadat eller ändrat.** Skadade eller ändrade batterier kan uppföra sig opålitligt, vilket kan leda till brand, explosion eller skaderisk.
6. **Utsätt inte batteripaket eller maskiner för brand eller höga temperaturer.** Exponering för brand eller temperaturer över 130 °C kan leda till explosion.
7. **Följ alla laddningsinstruktioner och ladda inte batteripaketet eller maskinen utanför det temperaturintervall som anges i instruktionerna.** Felaktig laddning, eller vid temperaturer utanför det angivna intervallet, kan skada batteriet och öka risken för brand.

El- och batterisäkerhet

1. **Släng inte batteriet/batterierna i öppen eld.** Cellen kan explodera. Kontrollera de lokala reglerna för att se eventuell särskild avfallshantering.
2. **Öppna inte eller förstör batteriet/batterierna.** Elektrolyt som kommer ut är frätande och kan ge ögon- eller hudskador. Det kan vara giftigt vid förtäring.
3. **Ladda inte batteriet i regn eller i fuktiga eller våta utrymmen.**
4. **Ladda inte batteriet utomhus.**
5. **Hantera inte laddaren, däribland laddarstickproppen, och laddarens kopplingar med våta händer.**

Service

1. **Lämna maskinen till en auktoriserad verkstad för service och underhåll med originalreservdelar.** Detta garanterar fortsatt säker användning av maskinen.
2. **Utför aldrig service av skadade batteripaket.** Service av skadade batteripaket får endast utföras av tillverkaren eller auktoriserade serviceleverantörer.

SPARA DESSA ANVISNINGAR.

⚠ VARNING: GLÖM INTE att också fortsättningsvis strikt följa säkerhetsanvisningarna för maskinen även efter att du blivit van att använda den.

Vid **FELAKTIG HANTERING** av maskinen eller om inte säkerhetsanvisningarna i denna bruksanvisning följs kan följden bli allvarliga personskador.

Viktiga säkerhetsanvisningar för batterikassetten

1. **Innan batterikassetten används ska alla instruktioner och varningsmärken på (1) batteriladdaren, (2) batteriet och (3) produkten läsas.**
2. **Montera inte isär eller mixtra med batterikassetten.** Det kan leda till brand, överdriven värme eller explosion.
3. **Om drifttiden blivit avsevärt kortare ska användningen avbrytas omedelbart.** Det kan uppstå överhettning, brännskador och t o m en explosion.
4. **Om du får elektrolyt i ögonen ska de sköljas med rent vatten och läkare uppsökas omedelbart.** Det finns risk för att synen förloras.
5. **Kortslut inte batterikassetten.**
 - (1) **Rör inte vid polerna med något strömförande material.**
 - (2) **Undvik att förvara batterikassetten tillsammans med andra metallobjekt som t.ex. spikar, mynt o.s.v.**
 - (3) **Skydda batteriet mot vatten och regn.** En batterikortslutning kan orsaka ett stort strömflöde, överhettning, brand och maskin haveri.
6. **Förvara och använd inte verktyget och batterikassetten på platser där temperaturen kan nå eller överstiga 50 °C.**
7. **Bränn inte upp batterikassetten även om den är svårt skadad eller helt utsliten.** Batterikassetten kan explodera i öppen eld.
8. **Spika inte i, krossa, kasta, tappa eller slå batterikassetten mot hårda föremål.** Dylika händelser kan leda till brand, överdriven värme eller explosion.
9. **Använd inte ett skadat batteri.**
10. **De medföljande litiumjonbatterierna är föremål för kraven i gällande lagstiftning för farligt gods.**

För kommersiella transporter (av t.ex. tredje parter som speditiönsfirmor) måste de särskilda transportkrav som anges på emballaget och etiketter iakttagas.

För att förbereda den produkt som ska avsändas krävs att du konsulterar en expert på riskmaterial. Var också uppmärksam på att det i ditt land kan finnas ytterligare föreskrifter att följa.

Tejpa över eller maskera blottade kontakter och packa batteriet på sådant sätt att det inte kan röra sig fritt i förpackningen.
11. **När batterikassetten ska kasseras måste den tas bort från maskinen och kasseras på ett säkert sätt.** Följ lokala föreskrifter beträffande avfallshantering av batteriet.
12. **Använd endast batterierna med de produkter som specificerats av Makita.** Att använda batterierna med ej godkända produkter kan leda till brand, överdriven värme, explosion eller utläckande elektrolyt.
13. **Om maskinen inte används under en lång tid måste batteriet tas bort från maskinen.**
14. **Under och efter användning kan batterikassetten bli het vilket kan orsaka brännskador eller lättare brännskador.** Var uppmärksam på hur du hanterar varma batterikassetter.
15. **Vidrör inte verktygets kontakter direkt efter användning eftersom de kan bli heta och orsaka brännskador.**
16. **Låt inte flisor, damm eller smuts fastna i kontakterna, i hål eller spår i batterikassetten.** Det kan leda till att verktyget eller batterikassetten värms upp, fattar eld, går sönder eller inte fungerar som de ska, vilket kan orsaka brännskador

eller personskador.

17. **Såvida inte verktyget stöder arbeten i närheten av högspänningsledningar får batterikassetten inte användas i närheten av en högspänningsledning.** Det kan leda till att verktyget eller batterikassetten går sönder eller inte fungerar korrekt.
18. **Förvara batteriet utom räckhåll för barn.**

SPARA DESSA ANVISNINGAR.

⚠ FÖRSIKTIGT: Använda endast äkta Makita-batterier. Användning av oäkta Makita-batterier eller batterier som har manipulerats kan leda till person- och utrustningsskador eller till att batteriet fattar eld. Det upphäver också Makitas garanti för verktyget och laddaren.

Tips för att uppnå batteriets maximala livslängd

1. **Ladda batterikassetten innan den är helt urladdad. Stanna alltid maskinen och ladda batterikassetten när du märker att maskinen blir svagare.**
2. **Ladda aldrig en fulladdad batterikassett. Överladdning förkortar batteriets livslängd.**
3. **Ladda batterikassetten vid en rumstemperatur på 10 °C - 40 °C. Låt en varm batterikassett svalna innan den laddas.**
4. **När batterikassetten inte används ska den tas bort från verktyget eller laddaren.**
5. **Ladda batterikassetten om du inte har använt den på länge (mer än sex månader).**

MONTERING

⚠ FÖRSIKTIGT: Se alltid till att maskinen är avstängd och batterikassetten borttagen innan du underhåller maskinen.

Installation av frammunstycket

1. Lossa 2 skruvar med insexnyckeln och dra sedan skruvarna hela vägen.
▶ **Fig.1:** 1. Skruv
2. Se till att Makita-logotypen på frammunstycket är i den riktning som visas på bilden, och fäst sedan frammunstycket vid maskinen.
▶ **Fig.2:** 1. Frammunstycke
3. Dra åt skruvarna med insexnyckeln.
▶ **Fig.3:** 1. Skruv

Installation av det platta munstycket eller förlängningsmunstycket

Extra tillbehör

1. Sätt fast adapterröret på frammunstycket och vrid det sedan medurs så det låses på plats.
▶ **Fig.4:** 1. Adapterrör 2. Frammunstycke
2. Sätt fast det platta munstycket eller

förlängningsmunstycket på adapterröret, och vrid det sedan så det låses på plats.

- ▶ **Fig.5:** 1. Platt munstycke 2. Förlängningsmunstycke 3. Adapterrör

Installation av rännmunstycket

Extra tillbehör

Rännmunstycket kan installeras på lövblåsen. För att installera rännmunstycket behövs det adapterrör som är designat exklusivt för denna modell.

För mer information, se bruksanvisningen som ingår till rännmunstycket.

Montera vattenblåsmunstycket

Extra tillbehör

Vattenblåsmunstycket kan monteras på lövblåsen.

För mer information, se bruksanvisningen som medföljer vattenblåsmunstycket.

Fastsättning av axelrem

Extra tillbehör

⚠ FÖRSIKTIGT: Se till att fästa axelremmens krokor säkert på maskinen. Om inte krokarna är ordentligt fastsatta kan de lossa och orsaka skada.

⚠ FÖRSIKTIGT: Se till att använda den axelrem som är avsedd för denna maskin. Att använda andra axelremmar kan leda till skada.

⚠ FÖRSIKTIGT: När du använder maskinen i kombination med en strömförsörjning av rygg-säckstyp, t.ex. bärbart strömpaket, ska du inte använda axelremmen som ingår i maskinpaketet.

Om du tar på dig axelremmen inkluderad i maskinpaketet och axelbanden till strömförsörjningen av rygg-säckstyp samtidigt, blir det svårt att ta bort maskinen eller strömförsörjningen av rygg-säckstyp i händelse av nödfall, och detta kan orsaka olycka eller skada.

Fäst axelremmens krokor på maskinen enligt bilden.

- ▶ **Fig.6:** 1. Krok

Du kan också fästa axelremmen på maskinen enligt bilden genom att sätta fast ena änden av axelremmen på spännet på axelremmen.

- ▶ **Fig.7:** 1. Spänne

FUNKTIONSBE- SKRIVNING

⚠ FÖRSIKTIGT: Se alltid till att maskinen är avstängd och batterikassetten borttagen innan du justerar maskinen eller kontrollerar dess funktioner.

Montera eller demontera batterikassetten

⚠ FÖRSIKTIGT: Stäng alltid av maskinen innan du monterar eller tar bort batterikassetten.

⚠ FÖRSIKTIGT: Håll stadigt i maskinen och batterikassetten när du installerar eller tar bort batterikassetten. I annat fall kan det leda till att maskinen och batterikassetten glider ur händerna på dig och blir skadade och orsakar personskada.

⚠ FÖRSIKTIGT: För alltid in batterikassetten helt tills den röda indikatorn inte längre syns. I annat fall kan den plötsligt lossna från maskinen och skada dig eller någon annan.

⚠ FÖRSIKTIGT: Montera inte batterikassetten med våld. Om kassetten inte lätt glider på plats är den felinsatt.

► **Fig. 8:** 1. Röd indikator 2. Knapp 3. Batterikasset

Ta bort batterikassetten genom att skjuta ner knappen på kassetens framsida samtidigt som du drar av den från maskinen.

Sätt in batterikassetten genom att rikta in tungan på batterikassetten mot spåret i höljet och skjuta den på plats. Tryck in kassetten hela vägen tills den låser fast med ett klick. Om du kan se den röda indikatorn på knappens ovsida är den inte låst ordentligt.

Indikerar kvarvarande batterikapacitet

Endast för batterikassetter med indikator

Tryck på kontrollknappen på batterikassetten för att se kvarvarande batterikapacitet. Indikatorlamporna lyser i ett par sekunder.

► **Fig. 9:** 1. Indikatorlampor 2. Kontrollknapp

Indikatorlampor			Kvarvarande kapacitet
Upplyst	Av	Blinkar	
■	□	◐	75% till 100%
■ ■ ■ ■			
■ ■ ■ □			50% till 75%
■ ■ □ □			25% till 50%
■ □ □ □			0% till 25%
◐ □ □ □			Ladda batteriet.
■ ■ □ □			Batteriet kan ha skadats.
□ □ ■ ■			

OBS: Beroende på användningsförhållanden och den omgivande temperaturen kan indikationen skilja sig lätt från den faktiska batterikapaciteten.

OBS: Den första (längst till vänster) indikatorlampan kommer att blinka när batteriskyddssystemet fungerar.

Skyddssystem för maskinen/batteriet

Maskinen är utrustad med ett batteriskyddssystem. Detta system bryter automatiskt strömmen till motorn för att förlänga maskinens och batteriets livslängd. Maskinen stannar automatiskt under användningen om maskinen eller batteriet hamnar i en av följande situationer:

Överbelastningsskydd

Om maskinen eller batteriet används på ett sätt som gör att den drar onormalt mycket ström kan den stoppas automatiskt utan någon varning. När detta sker stänger du av maskinen och upphör med arbetet som gjorde att den överbelastades. Starta därefter upp maskinen igen.

Överhettningsskydd

När maskinen eller batteriet överhettas stannar maskinen automatiskt. I sådant fall ska du låta maskinen och batteriet svalna innan maskinen sätts på igen.

Överurladdningsskydd

När batterikapaciteten är otillräcklig stannar maskinen automatiskt. Ta i så fall ut batteriet ur maskinen och ladda det.

Avtryckarens funktion

⚠ WARNING: Innan du monterar batterikassetten i maskinen ska du alltid kontrollera att avtryckaren fungerar och återgår till läget "OFF" när du släpper den.

► **Fig. 10:** 1. Avtryckare

Det är bara att trycka in avtryckaren när du vill starta maskinen. Hastigheten ökar genom att du trycker hårdare på avtryckaren. Släpp avtryckaren för att stoppa maskinen.

Farthållarfunktion

Genom farthållarfunktionen kan användaren hålla en konstant hastighet utan att trycka på avtryckaren. Öka hastigheten genom att vrida kontrollspaken framåt. Minska hastigheten genom att vrida kontrollspaken bakåt.

► **Fig. 11:** 1. Kontrollspak

Funktion för att förhindra oavsiktlig omstart

Maskinen startar inte även om batterikassetten installeras samtidigt som avtryckaren trycks in. Släpp först avtryckaren och återställ kontrollspaken helt och tryck sedan på avtryckaren igen för att starta maskinen.

ANVÄNDNING

⚠ FÖRSIKTIGT: Placera inte maskinen på marken när den är påslagen. Sand eller damm kan tränga in genom insuget och orsaka funktionsfel eller personskador.

Håll maskinen stadigt med en hand och utför blåsningen genom att flytta runt den sakta. Vid blåsning runt en byggnad, en stor sten eller ett fordon, ska munstycket riktas bort från dem. Vid arbete i hörn ska du börja i hörnet och flytta ut mot bredare område.

► Fig.12

UNDERHÅLL

⚠ FÖRSIKTIGT: Se alltid till att maskinen är avstängd och batterikassetten borttagen innan du försöker utföra kontroll eller underhåll.

För att upprätthålla produktens SÄKERHET och

TILLFÖRLITLIGHET bör allt underhålls- och justeringsarbete utföras av ett auktoriserat Makita servicecenter och med reservdelar från Makita.

Rengöring av maskinen

Rengör maskinen genom att torka av damm med en torr trasa, eller en urvriden trasa fuktad med såpvatten.

► Fig.13

OBSERVERA: Använd inte bensin, förtunningsmedel, alkohol eller liknande. Missfärgning, deformation eller sprickor kan uppstå.

Ta bort damm eller smuts från sugöppningen på maskinens baksida.

► Fig.14: 1. Sugöppning

Förvaring

Krokhålet på maskinens undersida är praktiskt att hänga maskinen i, från en spik eller skruv i väggen. Förvara maskinen utom räckhåll för barn och där den inte är utsatt för fukt eller regn.

► Fig.15: 1. Hål

FELSÖKNING

Innan du ber om reparation ska du först utföra en egen kontroll. Om du hittar ett problem som inte finns förklarat i bruksanvisningen ska du inte försöka att ta isär maskinen. Fråga istället ett auktoriserat servicecenter för Makita, och använd alltid reservdelar från Makita för reparationer.

Feltillstånd	Trolig orsak (felfunktion)	Åtgärd
Motorn går inte.	Batterikassetten har inte satts i.	Sätt i batterikassetten.
	Batteriproblem (underspänning)	Ladda upp batteriet. Om det inte hjälper att ladda batteriet byter du ut det.
	Drivsystemet fungerar inte som det ska.	Lämna in till ditt lokala auktoriserade servicecenter för reparation.
Motorn stannar efter en kort stunds användning.	Batterinivån är låg.	Ladda upp batteriet. Om det inte hjälper att ladda batteriet byter du ut det.
	Överhettning.	Sluta använda maskinen så att den kan få svalna.
Maskinen når inte det maximala varvtalet.	Batteriet är felaktigt isatt.	Sätt i batterikassetten enligt anvisningarna i denna bruksanvisning.
	Batterinivån sjunker.	Ladda upp batteriet. Om det inte hjälper att ladda batteriet byter du ut det.
	Drivsystemet fungerar inte som det ska.	Lämna in till ditt lokala auktoriserade servicecenter för reparation.
Onormal vibration: ⇒ Stoppa maskinen omedelbart!	Drivsystemet fungerar inte som det ska.	Lämna in till ditt lokala auktoriserade servicecenter för reparation.
Motorn kan inte stanna: ⇒ Ta omedelbart ur batteriet!	Elektriska eller elektroniska fel.	Ta ur batteriet och lämna in till ditt lokala auktoriserade servicecenter för reparation.

VALFRIA TILLBEHÖR

⚠ FÖRSIKTIGT: Följande tillbehör eller tillsatser rekommenderas för användning med den Makita-produkt som denna bruksanvisning avser.

Om andra tillbehör eller tillsatser används kan det uppstå risk för personskador. Använd endast tillbehören eller tillsatserna för de syften de är avsedda för.

Kontakta ditt lokala Makita servicecenter om du behöver ytterligare information om dessa tillbehör.

- Adapterrör
- Förlängningsmunstycke
- Platt munstycke
- Rännmunstycke
- Vattenblåsmunstycke
- Axelrem
- Makitas originalbatteri och -laddare

OBS: Några av tillbehören i listan kan vara inkluderade i produktpaketet som standardtillbehör. De kan variera mellan olika länder.

TEKNISKE DATA

Modell:		DUB184
Kapasitet	Luftvolum	0 - 13,0 m ³ /min
	Lufthastighet (gjennomsnitt)	0 - 43,2 m/s
	Lufthastighet (maks.)	0 - 52,1 m/s
Total lengde (med frontmunstykke)		825 mm
Nominell spenning		DC 18 V
Nettovekt		2,5 - 3,0 kg

- På grunn av vårt kontinuerlige forsknings- og utviklingsprogram kan spesifikasjonene som oppgis i dette dokumentet endres uten varsel.
- Spesifikasjonene kan variere fra land til land.
- Vekten kan variere avhengig av tilbehøret/tilbehørene, inkludert batteriet. Den letteste og tyngste kombinasjonen, i henhold til EPTA-prosedyre 01/2014, vises i tabellen.

Passende batteri og lader

Batteriinnsetts	BL1815N / BL1820B / BL1830B / BL1840B / BL1850B / BL1860B
Lader	DC18RC / DC18RD / DC18RE / DC18SD / DC18SE / DC18SF / DC18SH / DC18WC

- Noen av batteriene og laderne som er opplistet ovenfor er kanskje ikke tilgjengelige, avhengig av hvor du bor.

⚠ ADVARSEL: Bruk kun de batteriene og laderne som er opplistet ovenfor. Bruk av andre batterier og ladere kan føre til personskader og/eller brann.

Anbefalt ledning koblet til strømkilde

Bærbar lader	PDC01
--------------	-------

- De(n) ledningstilkoblede strømkilde(n)e som er oppgitt ovenfor er kanskje ikke tilgjengelige, avhengig av hvor du bor.
- Før du bruker de ledningstilkoblede strømkildene, må du lese instruksjons- og forsiktighetsskilt på dem.

Symboler

Nedenfor ser du symbolene som kan brukes for dette utstyret. Forviss deg om at du forstår hva de betyr, før du begynner å bruke maskinen.

	Vær spesielt forsiktig og oppmerksom.
	Les bruksanvisningen.
	Hold hendene unna roterende deler.
	Langt hår kan medføre ulykke.
	Pass på at ingen personer befinner seg i nærheten.
	Bruk alltid vernebriller og hørselsvern.
	Må ikke utsettes for fuktighet.



Kun for EU-land

På grunn av forekomst av farlige komponenter i utstyret, kan avfall fra elektrisk og elektronisk utstyr, akkumulatører og batterier ha en negativ innvirkning på miljøet og menneskers helse.

Ikke kast elektriske og elektroniske apparater eller batterier sammen med husholdningsavfall!

I samsvar med det europeiske direktivet om avfall fra elektrisk og elektronisk utstyr og om akkumulatører og batterier samt akkumulatører og batterier som skal kastes, samt deres tilpasning til nasjonal lovgivning, skal brukt elektrisk utstyr samt brukte batterier og akkumulatører samles inn separat og leveres til et eget innsamlingssted for kommunalt avfall, som driver virksomhet i samsvar med miljøvernforordningene.

Dette er angitt av symbolet med den overkryssede avfallsbeholderen som er plassert på utstyret.



Garantert lydeffektnivå i henhold til EU-direktivet om støy fra utstyr til utendørs bruk.



Riktig bruk

Denne maskinen er laget for å blåse støv.

Støy

Typisk A-vektet lydtryknivå er bestemt i henhold til EN50636-2-100:

Lydtryknivå (L_{pA}): 86,6 dB (A)

Usikkerhet (K): 1,4 dB (A)

Lydeffektnivå (L_{WA}): 93,5 dB (A)

Usikkerhet (K): 2,7 dB (A)

MERK: Den/de oppgitte verdien(e) for genererte vibrasjoner har blitt målt i henhold til standard testmetoder, og kan bli brukt til å sammenligne ett verktøy med et annet.

MERK: Den/de angitte verdien(e) for de genererte vibrasjonene kan også brukes til en foreløpig vurdering av eksponeringen.

⚠ ADVARSEL: Bruk hørselsvern.

⚠ ADVARSEL: De genererte vibrasjonene ved faktisk bruk av elektroverktøyet kan avvike fra den/de angitte vibrasjonsverdien(e), avhengig av hvordan verktøyet brukes.

⚠ ADVARSEL: Sørg for å identifisere vernetiltak for å beskytte operatøren, som er basert på et estimat av eksponeringen under de faktiske bruksforholdene (idet det tas hensyn til alle deler av driftssyklusen, dvs. hvor lenge verktøyet er slått av, hvor lenge det går på tomgang og hvor lenge startbryteren faktisk holdes trykket).

Vibrasjoner

Den totale vibrasjonsverdien (triaksial vektorsum) bestemt i henhold EN50636-2-100:

Arbeidsmodus: drift uten belastning

Genererte vibrasjoner (a_h): 2,5 m/s² eller mindre

Usikkerhet (K): 1,5 m/s²

MERK: Den/de oppgitte verdien(e) for totalt genererte vibrasjoner har blitt målt i henhold til standard testmetoder, og kan bli brukt til å sammenligne ett verktøy med et annet.

MERK: Den/de angitte verdien(e) for totalt genererte vibrasjoner kan også brukes til en foreløpig vurdering av eksponeringen.

⚠ ADVARSEL: De genererte vibrasjonene ved faktisk bruk av elektroverktøyet kan avvike fra den/de angitte vibrasjonsverdien(e), avhengig av hvordan verktøyet brukes og spesielt i forhold til arbeidsstykket som blir behandlet.

⚠ ADVARSEL: Sørg for å identifisere vernetiltak for å beskytte operatøren, som er basert på et estimat av eksponeringen under de faktiske bruksforholdene (idet det tas hensyn til alle deler av driftssyklusen, dvs. hvor lenge verktøyet er slått av, hvor lenge det går på tomgang og hvor lenge startbryteren faktisk holdes trykket).

Samsvarserklæringer

Gjelder kun for land i Europa

Samsvarserklæringene er lagt til som vedlegg A i denne bruksanvisningen.

SIKKERHETSADVARSEL

Sikkerhetsanvisninger for trådløs blåser

⚠ ADVARSEL: Les alle sikkerhetsadvarslene og alle instruksjonene. Hvis du ikke følger alle advarslene og instruksjonene som er oppført nedenfor, kan det føre til elektriske støt, brann og/eller alvorlige helseskader.

Oppbevar alle advarsler og instruksjoner for senere bruk.

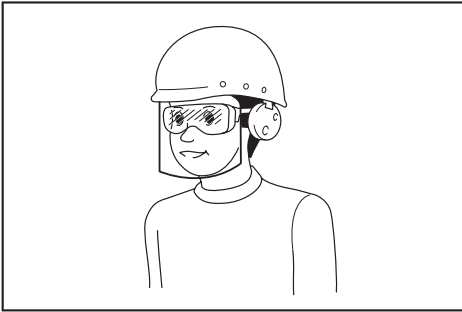
Opplæring

1. Les nøye gjennom bruksanvisningen. Gjør deg kjent med kontrollene, og sett deg inn i hvordan blåseren fungerer.
2. Du må ikke la dette utstyret brukes av barn, personer med reduserte fysiske evner, sansevner eller mentale evner, personer som mangler erfaring og kunnskap, eller personer som ikke er kjent med disse instruksjonene for bruk av blåseren. Lokale bestemmelser kan omfatte operatørens alder.
3. Aldri bruk blåseren mens uvedkommende – særlig barn eller kjæledyr – er i nærheten.
4. Vær oppmerksom på at operatøren eller brukeren er ansvarlig for ulykker eller skader som berører andre personer eller deres eiendom.

Klargjøring

1. Du må alltid ha på deg solid fottegg og lange benklær når du bruker blåseren.
2. Ikke bruk løstsittende klær eller smykker som kan bli trukket inn i luftinntaket. Hold langt hår borte fra luftinntakene.
3. Bruk alltid vernebriller for å beskytte øynene mot skade når du bruker elektroverktøy. Brillene må oppfylle kravene i ANSI Z87.1 i USA, EN 166 i Europa eller AS/NZS 1336 i Australia/New Zealand. I Australia/New

Zealand er det dessuten lovpålagt å bruke et ansiktsvern for å beskytte ansiktet.



Det er arbeidsgivers ansvar å påse at verktøyoperatørene og alle andre personer i arbeidsområdet umiddelbare nærhet bruker riktig verneutstyr.

4. Vi anbefaler bruk av en ansiktsmaske for å forhindre støv irritasjon.
5. Bruk alltid sklisikkert vernestøvler når du bruker maskinen. Sklisikre vernestøvler og -sko med lukket tå reduserer faren for skade.
6. Bruk personlig verneutstyr. Bruk alltid beskyttelsesbriller. Verneutstyr som for eksempel støvmaske, sklisikre vernesko, hjelm og hørselsvern reduserer faren for personskader når det brukes riktig.

Bruk

1. Slå av blåseren og ta ut batteriet, og kontroller at alle bevegelige deler har stoppet helt opp
 - når du forlater blåseren.
 - før du fjerner blokkeringer.
 - før du kontrollerer, rengjør eller utfører arbeid på blåseren.
 - hvis blåseren begynner å vibrere unormalt.
2. Blåseren skal kun brukes i dagslys eller i god kunstig belysning.
3. Strekk deg ikke for langt, og pass på at du alltid er i balanse og har godt fotfeste.
4. Pass på at du har godt fotfeste i skråninger.
5. Gå, ikke løp.
6. Hold alle kjøleluftinntak frie for smuss.
7. Du må aldri blåse smuss i retning av personer i nærheten.
8. Bruk blåseren i en anbefalt stilling og på fast underlag.
9. Ikke bruk blåseren på høye steder.
10. Pek aldri med munnstykket mot personer i nærheten mens blåseren er i bruk.
11. Ikke blokker sugeinngangen og/eller blåserutgangen.
 - Pass på at du ikke blokkerer sugeinngangen eller blåserutgangen med støv eller skitt når du bruker blåseren på støvete steder.
 - Ikke bruk andre munnstykker enn munnstykkene som er levert av Makita.

- Ikke bruk blåseren til å blåse opp baller, gummibåter eller lignende.

12. Ikke bruk blåseren nær et åpent vindu e.l.
13. Blåseren skal kun brukes til rimelige tider av døgnet for å unngå å forstyrre naboene – ikke tidlig om morgenen eller sent på kvelden.
14. Vi anbefaler å fjerne løst smuss ved hjelp av en rive eller kost før du tar i bruk blåseren.
15. Hvis blåseren treffer fremmedlegemer eller begynner å lage uvanlig støy eller vibrasjoner, må du straks slå av blåseren slik at den stopper. Ta batteriet ut av blåseren, og inspiser den med tanke på skade før du starter blåseren og begynner å bruke den igjen. Hvis blåseren er skadet, be Makitas godkjente servicesentre om reparasjon.
16. Ikke stikk fingre eller andre gjenstander inn i sugeinngangen eller blåserutgangen.
17. Unngå utilsiktet start. Pass på at bryteren er i av-stillingen før du setter i et batteri, tar opp blåseren eller går rundt med den. Hvis du bærer blåseren med fingeren på bryteren eller kobler strøm til blåseren med bryteren i på-stillingen, kan det lett oppstå ulykker.
18. Du må aldri blåse farlige materialer som f.eks. spikre, glassfragmenter eller skjæreblander.
19. Ikke bruk blåseren nær brennbare materialer.
20. Unngå å bruke blåseren over lengre tid ved lave temperaturer.

Vedlikehold og oppbevaring

1. Pass på at alle muttere, bolter og skruer er trukket godt til for å sikre at blåseren er i god stand.
2. Hvis deler er utslitt eller skadet, skal de erstattes med deler levert av Makita.
3. Oppbevar blåseren på et tørt sted og utilgjengelig for barn.
4. Når du stopper blåseren for inspeksjon, service, oppbevaring eller bytte av tilbehør, slå du av blåseren og kontrollerer at alle bevegelige deler stanser helt opp. Deretter tar du ut batteriet. La blåseren kjøle seg ned før du utfører arbeid på den. Vedlikehold blåseren nøye, og hold den ren.
5. Blåseren må alltid få kjøle seg ned før den settes til oppbevaring.
6. Ikke utsett blåseren for regn. Oppbevar blåseren innendørs.
7. Når du løfter blåseren, må du passe på å bøye knærne og unngå å skade ryggen.

Bruk og vedlikehold av batteridrevne maskiner

1. Batteriet må kun lades opp igjen med en lader spesifisert av produsenten. En lader som passer til én batteritype, kan være brannfarlig når den brukes med en annen batteritype.
2. Bruk elektroverktøy kun med spesifikt angitte batterier. Hvis det brukes et hvilket som helst annet batteri, kan dette utgjøre en fare for helse-skader og brann.
3. Når batteriet ikke er i bruk, må du holde verktøyet unna metallgjenstander som f.eks. binders, mynter, nøkler, spiker, skruer og andre små metallgjenstander som kan skape

forbindelse mellom de to polene. Hvis batteripolene kortsluttes, kan du få brannskår, eller det kan begynne å brenne.

4. **Hvis batteriet utsettes for hardhendt bruk, kan det lekkе væske fra batteriet. Unngå kontakt med væsken.** Hvis du kommer i kontakt med batterivæsken, må du skylle med vann. Hvis du får batterivæske i øynene, må du i tillegg oppsøke lege. Væske som kommer ut av batteriet, kan forårsake irritasjon eller forbrenninger.
5. **Ikke bruk et batteri eller verktøy som er skadet eller endret på.** Batterier som er skadet eller endret på kan oppføre seg upålitelig og medføre brann, eksplosjon eller fare for personskader.
6. **Et batteri eller verktøy må ikke utsettes for brann eller for høy temperatur.** Brann eller en temperatur over 130 °C kan forårsake eksplosjon.
7. **Følg alle ladeinstruksjoner, og ikke lad batteriet eller verktøyet utenfor temperaturområdet som er angitt i instruksjonene.** Feil lading eller ved temperaturer utenfor det angitte området, kan skadet batteriet og øke faren for brann.

Elektrisk sikkerhet og batterisikkerhet

1. **Ikke kast batteriet (batteriene) på åpen ild.** Cellen kan eksplodere. Batterier skal leveres til en forhandler av elektroutstyr eller til et kommunalt avfallsmottak.
2. **Ikke åpne eller ødelegg batteriet (batteriene).** Elektrolytt som lekker ut er korroderende, og kan forårsake skader på øyne og hud. Den kan være giftig hvis den svelges.
3. **Ikke skift batteri når det regner, eller i fuktige omgivelser.**
4. **Ikke lad batteriet utendørs.**
5. **Ikke håndter laderen, inkludert laderstøpset og laderterminalene, med våte hender.**

Service

1. **La en kvalifisert reparatør utføre service på det elektriske verktøyet ditt, og se til at vedkommende kun bruker originale reservedeler.** Dette vil opprettholde sikkerheten til det elektriske verktøyet.
2. **Aldri foreta service på skadde batterier.** Service på batterier skal kun utføres av produsenten eller godkjente serviceleverandører.

TA VARE PÅ DISSE INSTRUKSENE.

⚠ ADVARSEL: IKKE LA hensynet til hva som er "behagelig" eller det faktum at du kjenner produktet godt (etter mange gangers bruk) gjøre deg mindre oppmerksom på sikkerhetsreglene for bruken av det aktuelle produktet.

Ved MISBRUK eller hvis ikke sikkerhetsreglene i denne bruksanvisningen følges, kan det oppstå alvorlig personskade.

Viktige sikkerhetsanvisninger for batteriinnsetts

1. **Før du begynner å bruke batteriet, må du lese alle anvisninger og forsiktighetsregler på (1)**

batteriladeren, (2) batteriet og (3) det produktet batteriet skal brukes i.

2. **Ikke demonter eller tukle batteriet.** Det kan føre til brann, overoppheting eller eksplosjon.
3. **Hvis driftstiden er blitt vesentlig kortere, må du omgående slutte å bruke maskinen.** Hvis ikke kan resultatet bli overoppheting, mulige forbrenninger eller til og med en eksplosjon.
4. **Hvis du får elektrolytt i øynene, må du skylle dem med store mengder rennende vann og oppsøke lege med én gang.** Denne typen uhell kan føre til varig blindhet.
5. **Ikke kortslett batteriet:**
 - (1) **De kan være ekstremt varme og du kan brenne deg.**
 - (2) **Ikke lagre batteriet i samme beholder som andre metallgjenstander, som for eksempel spiker, mynter osv.**
 - (3) **Ikke la batteriet komme i kontakt med vann eller regn.**

En kortslutning av batteriet kan føre til et kraftig strømstøt, overoppheting, mulige forbrenninger og til og med til at batteriet går i stykker.

6. **Ikke oppbevar og bruk verktøyet og batteriet på steder hvor temperaturen kan komme opp i eller overskride 50 °C.**
7. **Ikke sett fyr på batteriet, ikke engang om det er sterkt skadet eller helt utslitt.** Batteriet kan eksplodere hvis det begynner å brenne.
8. **Du må ikke spikre, skjære, klemme, kaste eller miste batteriet, og heller ikke slå en hard gjenstand mot batteriet.** En slik oppførsel kan føre til brann, overoppheting eller eksplosjon.
9. **Ikke bruk batterier som er skadet.**
10. **Lithium-ion-batteriene som medfølger er gjensstand for krav om spesialavfall.** For kommersiell transport, f.eks. av tredjeparter eller speditører, må spesielle krav om pakking og merking følges. For varen blir sendt, må du forhøre deg med en ekspert på farlig materiale. Ta også hensyn til muligheten for mer detaljerte nasjonale bestemmelser. Bruk teip eller maskeringsteip for å skjule åpne kontakter og pakk inn batteriet på en slik måte at den ikke kan bevege seg rundt i emballasjen.
11. **Når du kasserer batteriinnsettsen, må du ta den ut av verktøyet og avhende den på et sikkert sted.** Følg lokale bestemmelser for avhending av batterier.
12. **Bruk batteriene kun med produkter spesifisert av Makita.** Montere batteriene i produkter som ikke er konforme kan føre til brann, overheting eller elektrolyttlekkasje.
13. **Hvis verktøyet ikke skal brukes over en lengre periode, må batteriet tas ut av verktøyet.**
14. **Under og etter bruk kan batteriet bli varmt og før til brannskader.** Vær forsiktig med håndteringen av varme batterier.
15. **Ikke berører terminalen på verktøyet rett etter bruk, da den kan bli varm og forårsake brannskader.**
16. **Ikke la spon, støv eller jord sette seg fast i**

terminalene, hullene og sporene i batteriet. Det kan føre til at batteriet eller verktøyet blir overopphetet, begynner å brenne, sprekker eller ikke fungerer som det skal, og forårsaker brannskader eller personskaide.

17. **Med mindre verktøyet støtter bruk nær en høyspent strømlinje, skal ikke batteriet brukes nær en høyspent strømlinje.** Det kan føre til en funksjonsfeil eller at verktøyet eller batteriet slutter å fungere.
18. **Oppbevar batteriet utilgjengelig for barn.**

TA VARE PÅ DISSE INSTRUKSENE.

⚠️FORSIKTIG: Bruk kun originale Makita-batterier. Bruk av batterier som har endret seg, eller som ikke er originale Makita-batterier, kan føre til at batteriet sprekker og forårsaker brann, personskader og andre skader. Det vil også ugyldiggjøre garantien for Makita-verktøyet og -laderen.

Tips for å opprettholde maksimal batterilevetid

1. **Lad batteriinnsetsen før den er helt utladet. Stopp alltid driften av verktøyet og lad batteriinnsetsen når du merker at effekten reduseres.**
2. **Lad aldri en batteriinnsets som er fulladet. Overopplading forkorter batteriets levetid.**
3. **Lad batteriet i romtemperatur ved 10 °C - 40 °C. Et varmt batteri må kjøles ned før lading.**
4. **Når batteriet ikke er bruk, skal det tas ut av verktøyet eller laderen.**
5. **Lad batteriet hvis det ikke har vært brukt på en lang stund (over seks måneder).**

MONTERING

⚠️FORSIKTIG: Forviss deg alltid om at maskinen er slått av og batteriet tatt ut før du utfører noe arbeid på maskinen.

Montere frontmunnstykket

1. Løsne 2 skruer med sekskantnøkkelen, og trekk deretter skruene helt ut.
▶ **Fig.1:** 1. Skruer
2. Kontroller at Makita-logoen på frontmunnstykket vender i retningen som vises i figuren, og deretter fester du frontmunnstykket til maskinen.
▶ **Fig.2:** 1. Frontmunnstykke
3. Stram skruene med sekskantnøkkelen.
▶ **Fig.3:** 1. Skruer

Montere det flate munnstykket eller forlengelsesmunnstykket

Valgfritt tilbehør

1. Fest adapterrøret til frontmunnstykket, og drei det deretter med klokken for å låse det på plass.

▶ **Fig.4:** 1. Adapterrør 2. Frontmunnstykke

2. Fest det flate munnstykket eller forlengelsesmunnstykket til adapterrøret, og deretter dreier du det for å låse det på plass.

▶ **Fig.5:** 1. Flatt munnstykke
2. Forlengelsesmunnstykke 3. Adapterrør

Montere takrennedysen

Valgfritt tilbehør

Takrennedysen kan monteres på blåseren. Adapterrøret som er utformet spesielt for denne modellen er nødvendige for å montere takrennedysen. Flere opplysninger finnes i brukerveiledning som følger med takrennedysen.

Montere vannblåsemunnstykket

Valgfritt tilbehør

Vannblåsemunnstykket kan monteres på blåseren. Du finner mer informasjon i brukerveiledning som følger med vannblåsemunnstykket.

Feste skulderstroppen

Valgfritt tilbehør

⚠️FORSIKTIG: Pass på å feste krokene til skulderstroppen sikkert til maskinen. Hvis krokene ikke er skikkelig festet, kan de løsne og føre til personskaide.

⚠️FORSIKTIG: Pass på å bruke skulderstroppene som hører til dette verktøyet. Bruk av andre skulderstropper kan forårsake en personskaide.

⚠️FORSIKTIG: Når du bruker maskinen i kombinasjon med strømforsyningen av ryggsekktype, f.eks. bærbar lader, må du ikke bruke skulderstroppen som følger med i maskinpakken.

Hvis du tar på deg skulderstroppen som følger med i maskinpakken og skulderselen til strømforsyningen av ryggsekktype samtidig, er det vanskelig å ta av maskinen eller strømforsyningen av ryggsekktype i et nødstilfelle, og det kan føre til en ulykke eller personskaide.

Fest krokene til skulderstroppen på maskinen slik figuren viser.

▶ **Fig.6:** 1. Krok

Du kan også feste skulderstroppen til maskinen som vist i figuren ved å feste én ende av skulderstroppen til spennen på skulderstroppen.

▶ **Fig.7:** 1. Spenne

FUNKSJONSBE- SKRIVELSE

⚠️FORSIKTIG: Forviss deg alltid om at maskinen er slått av og batteriet er tatt ut før du justerer maskinen eller kontrollerer de mekaniske funksjonene.

Sette inn eller ta ut batteri

⚠️FORSIKTIG: Stå alltid av maskinen før du setter inn eller fjerner batteriet.

⚠️FORSIKTIG: Hold maskinen og batteriet i et fast grep når du monterer eller fjerner batteriet. Hvis du ikke maskinen verktøyet og batteriet godt fast, kan du miste grepet, og dette kan føre til skader på maskinen og batteriet samt personskade.

⚠️FORSIKTIG: Batteriet må alltid settes helt inn, så langt at den røde indikatoren ikke lenger er synlig. Hvis dette ikke gjøres, kan batteriet falle ut av maskinen og skade deg eller andre som oppholder seg i nærheten.

⚠️FORSIKTIG: Ikke bruk makt når du setter i batteriet. Hvis batteriet ikke blir lett inn, er det fordi det ikke settes inn på riktig måte.

► Fig.8: 1. Rød indikator 2. Knapp 3. Batteriinnsetts

Når du skal ta ut batteriet, må du skyve det fra maskinens mens du skyver knappen foran på batteriet.

Når du skal sette inn batteriet, må du plassere tungen på batteriet på linje med sporet i huset og skyve batteriet på plass. Skyv det helt inn til det går i inngrep med et lite klikk. Hvis du kan se den røde indikatoren på oversiden av knappen, er det ikke fullstendig låst.

Indikere gjenværende batterikapasitet

Kun for batterier med indikatoren

Trykk på sjekk-knappen på batteriet for vise gjenværende batterikapasitet. Indikatorlampene lyser i et par sekunder.

► Fig.9: 1. Indikatorlamper 2. Kontrollknapp

Indikatorlamper			Gjenværende batterinivå
Tent	Av	Blinker	
			75 % til 100 %
			50 % til 75 %
			25 % til 50 %
			0 % til 25 %
			Lad batteriet.

Indikatorlamper			Gjenværende batterinivå
Tent	Av	Blinker	
			Batteriet kan ha en feil.

MERK: Det angitte nivået kan avvike noe fra den faktiske kapasiteten alt etter bruksforholdene og den omgivende temperaturen.

MERK: Den første (helt til venstre) indikatorlampen vil blinke når batterivernsystemet fungerer.

Vernesystem for maskin/batteri

Maskinen er utstyrt med et vernesystem for maskin/batteri. Dette systemet slår automatisk av strømmen til motoren for å forlenge maskinens og batteriets levetid. Maskinen stopper automatisk under drift hvis maskinen eller batteriet utsettes for en av følgende tilstander:

Overlastsikring

Når maskinen eller batteriet brukes på en måte som gjør at den bruker unormalt mye strøm, vil maskinen stanse automatisk uten noen form for indikasjon. I denne situasjonen må du skru av maskinen og stanse bruken som forårsaket at maskinen ble overopphetet. Slå deretter maskinen på for å starte den igjen.

Overopphetingsvern

Når maskinen eller batteriet blir overopphetet, stanser maskinen automatisk. I dette tilfellet lar du maskinen og batteriet avkjøles før du starter maskinen på nytt.

Overutladningsvern

Når batterikapasiteten blir utilstrekkelig, stopper maskinen automatisk. Da tar du ut batteriet fra maskinen og lader det.

Bryterfunksjon

⚠️ADVARSEL: Før du setter batteriet inn i maskinen, må du alltid kontrollere om startbryteren aktiverer maskinen på riktig måte og går tilbake til "AV"-stilling når den slippes.

► Fig.10: 1. Startbryter

Dra i startbryteren for å starte maskinen. Turtallet økes når du drar hardere i startbryteren. Slipp startbryteren for å stanse maskinen.

Cruisekontroll-funksjon

Cruisekontroll-funksjonen gjør det mulig opprettholde et konstant turtall uten å dra i startbryteren. Drei kontrollspaken forover for å øke turtallet. Drei kontrollspaken bakover for å redusere turtallet.

► Fig.11: 1. Kontrollspak

Funksjon som forhindrer utilsiktet start

Selv om du monterer batteriet mens du trekker i startbryteren, starter ikke maskinen. For å starte maskinen må du først frigjøre startbryteren og dreie kontrollspaken helt tilbake, og så trekke i startbryteren.

BRUK

⚠️ FORSIKTIG: Ikke plasser maskinen på bakken mens den er skrudd på. Sand eller støv kan komme inn gjennom sugeinngangen og forårsake en funksjonsfeil eller personskade.

Hold maskinen godt med én hånd, og beveg den sakte. Når blåseren brukes rundt en bygning, en stor stein eller et kjøretøy, må munnstykket vendes bort fra disse. Ved bruk i et hjørne, starter du fra hjørnet og beveger deretter blåseren til et større område.

► Fig.12

VEDLIKEHOLD

⚠️ FORSIKTIG: Forviss deg alltid om at maskinen er slått av og batteriet tatt ut før du foretar inspeksjon eller vedlikehold.

FEILSØKING

Inspiser utstyret selv før du bestiller reparasjon. Ikke prøv å demontere maskinen hvis du finner et problem som ikke er forklart i brukerveiledningen. I stedet bør du ta kontakt med et av Makitas autoriserte servicesentre, som alltid bruker reservedeler fra Makita til reparasjoner.

Unormal tilstand	Sannsynlig årsak (føll)	Løsning
Motoren går ikke.	Batteriet er ikke satt inn.	Installer batteriet.
	Batteriproblem (med spenning)	Lad batteriet. Hvis ladingen ikke virker, må batteriet skiftes ut.
	Drivsystemet virker ikke slik det skal.	Kontakt ditt nærmeste autoriserte servicesentre hvis det oppstår behov for reparasjon.
Motoren slutter å gå etter kort tids bruk.	Batteriets ladenivå er lavt.	Lad batteriet. Hvis ladingen ikke virker, må batteriet skiftes ut.
	Overoppheting.	Slutt å bruke maskinen slik at den kan kjøle seg ned.
Maskinen når ikke maksimalt turtall.	Batteriet er ikke riktig satt inn.	Sett inn batteriet som beskrevet i denne håndboken.
	Batterieffekten minsker.	Lad batteriet. Hvis ladingen ikke virker, må batteriet skiftes ut.
	Drivsystemet virker ikke slik det skal.	Kontakt ditt nærmeste autoriserte servicesentre hvis det oppstår behov for reparasjon.
Unormale vibrasjoner: ⇒ stans maskinen umiddelbart!	Drivsystemet virker ikke slik det skal.	Kontakt ditt nærmeste autoriserte servicesentre hvis det oppstår behov for reparasjon.
Det er umulig å stoppe motoren: ⇒ Fjern batteriet umiddelbart!	Elektrisk eller elektronisk funksjonsfeil.	Fjern batteriet og kontakt ditt nærmeste autoriserte servicesentre for reparasjon.

For å opprettholde produktets SIKKERHET og PÅLITELIGHET, må reparasjoner, vedlikehold og justeringer utføres av autoriserte Makita servicesentre eller fabrikk servicesentre, og det må alltid brukes reservedeler fra Makita.

Rengjøre maskinen

Rengjør maskinen ved å tørke bort støv med en tørr klut eller en klut som er dyppet i såpevann og vridd opp.

► Fig.13

OBS: Aldri bruk gasolin, bensin, tynner alkohol eller lignende. Det kan føre til misfarging, deformering eller sprekkdannelse.

Fjern støv eller skitt fra sugeinngangen bak på maskinen.

► Fig.14: 1. Sugeinngang

Lagring

Krokkullet på bunnen av maskinen er praktisk hvis du vil henge maskinen på en spiker eller skruer på veggen. Oppbevar maskinen på et sted som er utilgjengelig for barn og der den ikke er utsatt for fuktighet eller regn.

► Fig.15: 1. Hull

VALGFRITT TILBEHØR

⚠FORSIKTIG: Det anbefales at du bruker dette tilbehøret eller verktøyet sammen med Makita-produktet som er spesifisert i denne håndboken.

Bruk av annet tilbehør eller verktøy kan forårsake personskader. Tilbehør og verktøy må kun brukes til det formålet det er beregnet på.

Ta kontakt med ditt lokale Makita-servicesenter hvis du trenger mer informasjon om dette tilbehøret.

- Adapterrør
- Forlengelsesmunnstykke
- Flatt munnstykke
- Takrennedyse
- Vannblåsemunnstykke
- Skulderstropp
- Makita originalbatteri og lader

MERK: Enkelte artikler på listen kan være inkludert som standardtilbehør i produktpakken. Artiklene kan variere fra land til land.

TEKNISET TIEDOT

Malli:		DUB184
Kapasiteetti	Ilmantuotto	0–13,0 m ³ /min
	Puhallusnopeus (keskiarvo)	0–43,2 m/s
	Puhallusnopeus (maksimi)	0–52,1 m/s
Kokonaispituus (etusuuttimella)		825 mm
Nimellisjännite		DC 18 V
Nettopaino		2,5–3,0 kg

- Jatkuvasta tutkimus- ja kehitystyöstämme johtuen esitetyt tekniset tiedot saattavat muuttua ilman erillistä ilmoitusta.
- Tekniset tiedot voivat vaihdella maittain.
- Paino voi olla erilainen lisävarusteista sekä akusta johtuen. EPTA-menettelytavan 01/2014 mukaisesti, taulukossa on kuvattu kevyin ja painavin laiteyhdistelmä.

Käytettävä akkupaketti ja laturi

Akkupaketti	BL1815N / BL1820B / BL1830B / BL1840B / BL1850B / BL1860B
Laturi	DC18RC / DC18RD / DC18RE / DC18SD / DC18SE / DC18SF / DC18SH / DC18WC

- Tiettyjä yläpuolella kuvattuja akkuja ja latureita ei ehkä ole saatavana asuinalueestasi johtuen.

VAROITUS: Käytä vain edellä eriteltyjä akkupaketteja ja latureita. Muiden akkupakettien ja laturien käyttäminen voi aiheuttaa loukkaantumisen ja/tai tulipalon.







Suosittelu johdollinen virtalähde

Kannettava tehoyksikkö	PDC01
------------------------	-------

- Edellä luetellut johdolliset virtalähteet eivät ehkä ole saatavana asuinalueellasi.
- Lue johdollisen virtalähteen käyttöohjeet ja tutustu siinä oleviin varoitusmerkkintöihin ennen sen käyttämistä.

Symbolit

Laitteessa on mahdollisesti käytetty seuraavia symboleja. Opettele niiden merkitys ennen käyttöä.

	Noudata erityistä varovaisuutta ja kiinnitä huomiota.
	Lue käyttöohje.
	Pidä kädet kaukana pyörivistä osista.
	Pitkät hiukset voivat aiheuttaa takertumisonnettomuuden.
	Pidä sivulliset kaukana työalueelta.
	Käytä suojalaseja ja kuulosuojaimia.
	Älä altista kosteudelle.



Koskee vain EU-maita
Käytetyillä sähkö- ja elektroniikkalaitteilla, paristoilla ja akuilla voi olla negatiivisia ympäristö- ja terveysvaikutuksia niissä käytettyjen haitallisten osien takia.

Älä hävitä sähkö- ja elektroniikkalaitteita tai akkuja kotitalousjätteen mukana!
Vanhoja sähkö- ja elektroniikkalaitteita, paristoja ja akkuja koskevan EU-direktiivin ja sen perusteella laadittujen kansallisten lakien mukaan käytetyt sähkö- ja elektroniikkalaitteet, paristot ja akut on kierrätettävä toimittamalla ne erilliseen, ympäristönsuojelusäädösten mukaisesti toimivaan kierrätyspisteeseen.

Tämä on ilmaistu laitteessa olevalla yliveitetyn roska-astian symbolilla.



EU:n ulkona käytettävien laitteiden melupäästöjä koskevan direktiivin mukainen taattu äänitehotaso.



Australian Uuden Etelä-Walesin osavaltion melutasolainsäädännön mukainen äänitehotaso

Käyttötarkoitus

Kone on tarkoitettu pölyn puhallukseen.

Melutaso

Tyypillinen A-painotettu melutaso määräytyy standardin EN50636-2-100 mukaan:

Äänenpainetaso (L_{pA}): 86,6 dB (A)

Virhemarginaali (K): 1,4 dB (A)

Äänen voiman taso (L_{WA}): 93,5 dB (A)

Virhemarginaali (K): 2,7 dB (A)

HUOMAA: Ilmoitetut melutasoarvot on mitattu standarditestausmenetelmän mukaisesti ja niiden avulla voidaan vertailla työkaluja keskenään.

HUOMAA: Ilmoitettuja melutasoarvoja voidaan käyttää myös altistumisen alustavaan arviointiin.

VAROITUS: Käytä kuulosuojaimia.

VAROITUS: Sähkötyökalun käytön aikana mitattu melutasoarvo voi poiketa ilmoitetuista arvoista laitteen käyttötavan ja erityisesti käsiteltävän työkappaleen mukaan.

VAROITUS: Selvitä käyttäjän suojaamiseksi tarvittavat varoimet todellisissa käyttöolosuhteissa tapahtuvan arvioidun altistumisen mukaisesti (ottaen huomioon käyttöjakso kokonaisuudessaan, myös jaksot, joiden aikana laite on sammutettuna tai käy tyhjäkäynnillä).

Tärinä

Kokonaistärinä (kolmen akselin vektorien summa) määräytyy standardin EN50636-2-100 mukaan:

Työtila: käyttö ilman kuormitusta

Tärinäpäästö (a_n): 2,5 m/s² tai alaisempi

Virhemarginaali (K): 1,5 m/s²

HUOMAA: Ilmoitetut kokonaistärinäarvot on mitattu standarditestausmenetelmän mukaisesti ja niiden avulla voidaan vertailla työkaluja keskenään.

HUOMAA: Ilmoitettuja kokonaistärinäarvoja voidaan käyttää myös altistumisen alustavaan arviointiin.

VAROITUS: Sähkötyökalun käytön aikana mitattu todellinen tärinäpäästöarvo voi poiketa ilmoitetuista arvoista laitteen käyttötavan ja erityisesti käsiteltävän työkappaleen mukaan.

VAROITUS: Selvitä käyttäjän suojaamiseksi tarvittavat varoimet todellisissa käyttöolosuhteissa tapahtuvan arvioidun altistumisen mukaisesti (ottaen huomioon käyttöjakso kokonaisuudessaan, myös jaksot, joiden aikana laite on sammutettuna tai käy tyhjäkäynnillä).

Vaativuuden mukaisuusvaatimukset

Koskee vain Euroopan maita

Vaativuuden mukaisuusvaatimukset on liitetty tähän käyttöoppaaseen liitteeksi A.

TURVAVAROITUKSET

Akkukäyttöisen puhaltimen turvallisuusohjeet

VAROITUS: Lue huolellisesti kaikki turvallisuusvaroitukset ja käyttöohjeet. Jos varoitusten ja ohjeiden noudattaminen laiminlyödään, seurauksena voi olla sähköisku, tulipalo ja/tai vakava vammautuminen.

Säilytä varoitukset ja ohjeet tulevaa käyttöä varten.

Koulutus

1. Lue ohjeet huolellisesti. Perehdy puhaltimen säätimiin ja asianmukaiseen käyttöön.
2. Älä koskaan anna lasten, henkilöiden, joiden fyysiset, sensoriset tai henkiset kyvyt ovat rajoittuneet tai joilla ei ole kokemusta tai tietoa puhaltimen käytöstä, tai henkilöiden, jotka eivät ole perehtyneet näihin käyttöohjeisiin, käyttää puhallinta. Paikallisissa määräyksissä saatetaan asettaa käyttöle vähimmäiskäyttö.
3. Älä koskaan käytä puhallinta, jos lähistöllä on muita sivullisia henkilöitä, erityisesti lapsia tai lemmikkieläimiä.
4. Muista, että käyttäjä vastaa tapaturmista tai vahingoista, jotka hän aiheuttaa muille ihmisille tai heidän omaisuudelleen.

Valmistelu

1. Käytä aina lujia jalkineita ja pitkiä housuja puhaltimen käytön aikana.
2. Älä käytä löysiä vaatteita tai koruja, jotka voivat imeytyä ilmanottoaukkoon. Pidä pitkät hiukset etäällä ilmanottoaukoista.
3. Käytä aina suojalaseja silmiesi suojaamiseksi tapaturmia vastaan sähkökäyttöisten laitteiden käytön aikana. Suojalasien täytyy noudattaa ANSI Z87.1 Yhdysvalloissa, EN 166 Euroopassa tai AS/NZS 1336 Australiassa / Uudessa Seelannissa olevia vaatimuksia. Australiassa / Uudessa Seelannissa on lainmukaisesti pakollista käyttää kasvosuojaimia myös kasvojen suojaamiseksi.



Työnantajan velvollisuuksiin kuuluu varmistaa, että laitteen käyttäjät ja työpaikan välittömässä läheisyydessä olevat muut

sivulliset henkilöt käyttävät asianmukaisia henkilönsuojaimia.

4. Pölyärsytyksen välttämiseksi on suositeltavaa käyttää kasvosuojusta.
5. Käytä laitetta käyttäessäsi aina luistamattomia turvajalkineita. Luistamattomat turvakärjellä varustetut turvasaappaat ja -kengät vähentävät tapaturmavaaraa.
6. Käytä henkilönsuojaimia. Käytä aina suoja-laseja. Suojavarusteiden, esimerkiksi hengityssuo-jaimen, pitävien turvakengien, suojakypärän tai kuulosuojaimien, asianmukainen käyttö vähentää loukkaantumisia.

Käyttö

1. **Sammuta puhallin ja irrota akku. Varmista, että kaikki liikkuvat osat ovat täysin pysähtyneet**
 - aina poistuessasi puhaltimen luota
 - ennen tukosten selvittämistä
 - ennen puhaltimen tarkastamista, puhdis-tamista tai kunnossapitoa
 - jos puhallin alkaa tärinästä epänormaalisti.
2. Käytä puhallinta vain päivänvalossa tai kirk-kaassa keinovalossa.
3. Säilytä aina tasapainosi, äläkä kurkottele liian pitkälle.
4. Varmista aina tukeva jalansija rinteessä työskennellessäsi.
5. Kävele, älä koskaan juokse.
6. Älä päästä roskaa jäähdytysilma-aukkoihin.
7. Älä koskaan puhalla roskaa ihmisiä päin.
8. Käytä puhallinta suositellussa käyttöasen-nossa kiinteän ja tasaisen pinnan päällä.
9. Älä käytä puhallinta korkeissa paikoissa.
10. Älä koskaan suuntaa suutinta ketään lähellä olevaa kohti, kun käytät puhallinta.
11. Älä tuki imuaukkoa ja/tai puhaltimen ulostuloa.
 - Varo, etteivät pöly tai lika tuki imuaukkoa tai puhaltimen ulostuloa välillisillä alueilla työskennellessäsi.
 - Älä käytä muita kuin Makitan toimittamia suuttimia.
 - Älä käytä puhallinta pallojen, kumiveneen tai vastaavan täyttämiseen.
12. Älä käytä puhallinta avoimen ikkunan tai vas-taavan läheisyydessä.
13. Puhallinta suositellaan käytettäväksi vain silloin, kun sen käytöstä ei aiheudu kohtuu-tonta häiriötä – ei aikaisin aamulla tai myöhään illalla.
14. Irto roskat on suositeltavaa irrottaa haravalla tai harjalla ennen puhaltimen käyttöä.
15. Sammuuta puhallin välittömästi, jos puhalti-meen kohdistuu ulkopuolisia iskuja tai siinä on epätavallista melua tai tärinää. Irrota akkupaketti puhaltimesta ja tarkista puhallin vaurioiden varalta ennen sen uudelleen käynnistämistä ja käyttöä. Jos puhallin on vaurioitunut, korjauta se valtuutetussa Makita-huoltoliikkeessä.
16. Älä työnnä sormia tai mitään esineitä imuauk-koon tai puhaltimen ulostuloon.
17. Estä tahaton käynnistyminen. Varmista, että

kytkin on asetettu off-asentoon, ennen akku-paketin asentamista tai puhaltimen nosta-mista tai kantamista. Puhaltimen kantaminen sormi kytkimellä tai sen liittämisen virran-syöttöön kytkimen ollessa päällä kasvattaa tapaturmariskejä.

18. Älä koskaan puhalla vaarallisia esineitä, kuten nauloja, lasinsirpaleita tai teriä.
19. Älä käytä puhallinta tulenarkojen materiaalien lähellä.
20. Vältä puhaltimen pitkäaikaista käyttämistä alhaisissa lämpötiloissa.

Kunnossapito ja säilytys

1. Varmista puhaltimen käyttöturvallisuus tarkas-tamalla, että kaikki mutterit, pultit ja ruuvit ovat kireällä.
2. Jos jokin osa on kulunut tai vaurioitunut, vaihda se Makitan varaosaan.
3. Säilytä puhallinta kuivassa paikassa lasten ulottumattomissa.
4. Kun pysäytät puhaltimen tarkistusta, huoltoa, varastointia tai lisävarusteen vaihtamista varten, kytkä puhaltimen virta pois päältä, varmista, että kaikki liikkuvat osat pysähtyvät täysin, ja irrota sitten akkupaketti. Anna puhaltimen jäähtyä ennen sen käsittelemistä. Pidä puhaltimesta hyvin huolta ja pidä se puhtaana.
5. Anna puhaltimen jäähtyä aina ennen sen aset-tamista säilytykseen.
6. Älä altista puhallinta sateelle. Varastoi puhallin sisätiloihin.
7. Kun nostat puhallinta, nosta jaloillasi ja varo vahingoittamasta selkääsi.

Akkukäyttöisen työkalun käyttö ja hoito

1. Lataa akkua vain valmistajan määrittämällä laturilla. Tietylle akkupaketille sopiva laturi voi aiheuttaa tulipalovaaran, jos sitä käytetään muun-tyyppisen akkupaketin yhteydessä.
2. Käytä sähkötyökaluja vain määritysten mukaisten akkujen kanssa. Muuntyyppisten akkujen käyttäminen voi aiheuttaa loukkaantumis-tai tulipalovaaran.
3. Kun akku ei ole käytössä, säilytä se erillään metallisineistä, kuten paperiliittimistä, koloista, avaimista, nauloista, ruuveista ja muista pienistä metallisineistä, jotka voivat yhdistää akun navat. Akun napojen oikosulkemi-nen voi aiheuttaa palovamman tai tulipalon.
4. Akusta voi vuotaa nestettä, jos sitä käsitellään väärin. Vältä kosketusta. Jos nestettä pääsee iholle vahingossa, huuhtele iho vedellä. Jos nestettä pääsee silmiin, hakeudu lääkärin hoitoon. Ulos purkautunut akkuneste voi ärsyttää ihoa tai aiheuttaa palovammoja.
5. Älä käytä viallista tai muunneltua akkua tai työkalua. Vialliset tai muunnellut akut voivat toimia odottamattomasti aiheuttamalla tulipalo-, räjähdys- tai tapaturmavaaran.
6. Älä altista akkua tai työkalua tullelle tai äärim-mäisille lämpötiloille. Altistus tullelle tai yli 130 °C lämpötiloille voi aiheuttaa räjähdyksen.
7. Noudata kaikkia latausohjeita, äläkä lataa akkua tai työkalua ohjeissa määritettyjen läm-pötilarajojen ulkopuolella. Väärin tai ohjeissa

määritettyjen lämpötilarajojen ulkopuolella suoritettu lataus voi aiheuttaa akkuvaurion ja kasvattaa tapaturmavaaraa.

Sähköturvallisuus ja akku

1. **Älä hävitä akkuja polttamalla.** Akkukenko voi räjähtää. Tarkista, onko paikallisissa määräyksissä erityisiä laitetta koskevia hävitysohjeita.
2. **Älä avaa tai riko akkuja.** Akusta mahdollisesti vuotava elektrolyytti on syövyttävää ja saattaa vaurioittaa ihoa tai silmiä. Se saattaa olla myrkyllistä nieltynä.
3. **Älä lataa akkua sateessa tai kosteissa olosuhteissa.**
4. **Älä lataa akkua ulkona.**
5. **Älä käsittele laturia tai sen liittinosa ja latausliittimiä märin käsin.**

Huolto

1. **Anna pätevän korjaajan huoltaa sähkötyökaluksi käyttäen vain identtisiä varaosia.** Näin varmistetaan, että sähkötyökulun turvallisuus säilyy.
2. **Älä koskaan huolla viallisia akkuja.** Akkujen huolto on suoritettava ainoastaan valmistajan tai valtuutetun huoltoliikkeen toimesta.

SÄILYTÄ NÄMÄ OHJEET.

VAROITUS: ÄLÄ anna työkalun helppokäytöisyyden (toistuvan käytön aikaansaama) johtaa sinua väärään turvallisuuden tunteeseen niin, että laiminlyöt työkalun turvaohjeiden noudattamisen. **VÄÄRINKÄYTTÖ** tai tässä käyttöohjeessa ilmoitettujen turvamääräysten laiminlyönti voi aiheuttaa vakavia henkilövahinkoja.

Akkupakettia koskevia tärkeitä turvaohjeita

1. Ennen akun käyttöönottoa tutustu kaikkiin laturissa (1), akussa (2) ja akkukäyttöisessä tuotteessa (3) oleviin varoitusteksteihin.
2. **Älä pura tai peukaloi imuria akkupakettia.** Se voi johtaa tulipaloon, ylikuumentumiseen tai räjähdykseen.
3. **Jos akun toiminta-aika lyhenee merkittävästi, lopeta akun käyttö.** Seurauksena voi olla ylikuumentuminen, palovammoja tai jopa räjähdys.
4. **Jos akkuestettä pääsee silmiin, huuhtele puhtaalla vedellä ja hakeudu välittömästi lääkäriin hoitoon.** Akkuneste voi aiheuttaa näön menetyksen.
5. **Älä oikosulje akkua.**
 - (1) **Älä koske akun napoihin millään sähköä johtavalla materiaalilla.**
 - (2) **Vältä akun oikosulkemista äläkä säilytä akkua yhdessä muiden metalliesineiden, kuten nauhojen, kolikoiden ja niin edelleen kanssa.**
 - (3) **Älä aseta akkua alttiiksi vedelle tai sateelle.****Oikosulku voi aiheuttaa virtapiikin, ylikuumentumista, palovammoja tai laitteen**

rikkoontumisen.

6. **Älä säilytä ja käytä työkalua ja akkupakettia paikassa, jossa lämpötila voi nousta 50 °C:een (122 °F) tai korkeammaksi.**
7. **Älä hävitä akkua polttamalla, vaikka se olisi pahoin vaurioitunut tai täysin loppuun kulunut.** Avotuli voi aiheuttaa akun räjähtämisen.
8. **Älä naukaa, leikkaa, purista, heitä tai pudota akkupakettia tai iske sitä kovia esineitä vasten.** Tällaiset toimet voivat johtaa tulipaloon, ylikuumentumiseen tai räjähdykseen.
9. **Älä käytä viallissa akkua.**
10. **Sisältyviä litium-ioni-akkuja koskevat vaarallisten aineiden lainsäädännön vaatimukset.** Esimerkiksi kolmansien osapuolten huolintaliikkeiden tulee kaupallisissa kuljetuksissa noudattaa pakkaamista ja merkintöjä koskevia erityisvaatimuksia. Lähetetävän tuotteen valmistelu edellyttää vaarallisten aineiden asiantuntijan neuvontaa. Huomioi myös mahdollisesti yksityiskohtaisemmat kansalliset määräykset
Akun avoimet liittimet tulee suojata teipillä tai suojuksella ja pakkaaminen tulee tehdä niin, ettei akku voi liikkua pakkauksessa.
11. **Kun akkupaketti on hävitettävä, poista se laitteesta ja hävitä se turvallisesti.** Hävitä akku paikallisten määräysten mukaisesti.
12. **Käytä akkuja vain Makitan ilmoittamien tuotteiden kanssa.** Akkujen asentaminen yhteensopimattomiin tuotteisiin voi aiheuttaa tulipalon, liiallisen ylikuumentumisen, räjähdyksen tai akkunestevuotoja.
13. **Jos laitetta ei käytetä pitkään aikaan, akku on poistettava laitteesta.**
14. **Akkupaketin lämpötila voi käytön aikana ja sen jälkeen nousta niin kuumaksi, että se voi aiheuttaa palovammoja tai lieviä palovammoja.** Käsittele kuumia akkupaketteja huolellisesti.
15. **Älä kosketa työkalun liittintä välittömästi käytön jälkeen, sillä se voi olla riittävän kuuma aiheuttamaan palovammoja.**
16. **Älä päästä lastuja, pölyä tai maata akkupaketin liittimiin, aukkoihin ja uriin.** Se voi johtaa työkalun tai akkupaketin lämpenemiseen, syttymiseen, purkautumiseen tai toimintahäiriöön, mikä voi aiheuttaa palovammoja tai vammoja.
17. **Ellei työkalu tue käyttöä korkeajännitelinjojen lähellä, älä käytä akkupakettia korkeajännitelinjojen lähellä.** Se voi johtaa työkalun tai akkupaketin toimintahäiriöön tai rikkoutumiseen.
18. **Pidä akku poissa lasten ulottuvilta.**

SÄILYTÄ NÄMÄ OHJEET.

HUOMIO: Käytä vain alkuperäisiä Makita-akkuja. Muiden kuin aitojen Makita-akkujen, tai mahdollisesti muutettujen akkujen käyttö voi johtaa akun murtumiseen ja aiheuttaa tulipaloja, henkilö- ja omaisuusvahinkoja. Se mitätöi myös Makita-tökalun ja -laturin Makita-takuun.

Vihjeitä akun käyttöön pidentämiseksi

1. Lataa akku ennen kuin se purkautuu täysin. Lopeta aina työkalun käyttö ja lataa akku, jos huomaat työkalun tehon vähenevän.
2. Älä koskaan lataa uudestaan täysin ladattua akkua. Yli lataaminen lyhentää akun käyttöikää.
3. Lataa akku huoneen lämpötilassa välillä 10 °C - 40 °C. Anna kuuman akun jäähtyä ennen lataamista.
4. Irrota akkupaketti työkalusta tai laturista, kun sitä ei käytetä.
5. Lataa akkupaketti, jos et käytä sitä pitkään aikaan (yli kuusi kuukautta).

KOKOONPANO

⚠HUOMIO: Varmista aina, että kone on sammutettu ja akku irrotettu, ennen kuin koneelle tehdään mitään toimenpiteitä.

Etusuuttimen asentaminen

1. Löysää kahta ruuvia kuusioavaimella ja vedä ne sitten kokonaan ulos.
► **Kuva1:** 1. Ruuvi
2. Varmista, että etusuuttimessa oleva Makita-logo on suunnattu kuvan mukaisesti ja liitä etusuutin sitten koneeseen.
► **Kuva2:** 1. Etusuutin
3. Kiristä ruuvit kuusioavaimella.
► **Kuva3:** 1. Ruuvi

Lattasuuttimen tai jatkosuuttimen asentaminen

Lisävaruste

1. Kiinnitä sovitinputki etusuuttimeen ja lukitse se paikalleen kiertämällä sitä vastapäivään.
► **Kuva4:** 1. Sovitinputki 2. Etusuutin
2. Kiinnitä lattasuutin tai jatkosuutin sovitinputkeen ja lukitse se paikalleen kiertämällä.
► **Kuva5:** 1. Lattasuutin 2. Jatkosuutin 3. Sovitinputki

Räystäässuuttimen asennus

Lisävaruste

Puhaltimeen voi asentaa räystäässuuttimen. Räystäässuuttimen asentamiseen tarvitaan erityisesti tätä mallia varten suunniteltu sovitinputki. Katso lisätietoja räystäässuuttimen mukana toimitetusta käyttöohjeesta.

Veden puhallussuuttimen asennus

Lisävaruste

Puhaltimeen voidaan asentaa veden puhallussuutin. Katso lisätietoja veden puhallussuuttimen mukana toimitetusta käyttöohjeesta.

Olkahihnan kiinnittäminen

Lisävaruste

⚠HUOMIO: Varmista, että kiinnitit olkahihnan soljet luotettavasti kiinni koneeseen. Jos soljet ovat kiinnitetty huolimattomasti, ne voivat irrota ja aiheuttaa henkilövamman.

⚠HUOMIO: Käytä vain tälle työkalulle tarkoitettua olkahihnaa. Muiden olkahihnojen käyttö voi aiheuttaa henkilövamman.

⚠HUOMIO: Kun käytät konetta reppuyyppisen virtalähteen, kuten kannettavan tehoyksikön kanssa, älä käytä koneen tuotepaketissa toimitettua olkahihnaa.

Jos käytät koneen tuotepaketissa toimitettua olkahihnaa ja reppuyyppisen virtalähteen olkaimia samanaikaisesti, se vaikeuttaa koneen tai reppuyyppisen virtalähteen irrottamista hätätilanteessa ja voi aiheuttaa onnettomuuden tai vammoja.

Kiinnitä olkahihnan soljet koneeseen kuvan osoittamalla tavalla.

► **Kuva6:** 1. Salpa

Voit kiinnittää olkahihnan koneeseen kuvan mukaisesti myös kiinnittämällä olkahihnan toisen pään olkahihnan solkeen.

► **Kuva7:** 1. Solki

TOIMINTOJEN KUVAUS

⚠HUOMIO: Varmista aina ennen säätöjä ja tarkastuksia, että kone on sammutettu ja akkupaketti irrotettu.

Akun asentaminen tai irrottaminen

⚠HUOMIO: Sammuta kone aina ennen akun kiinnittämistä tai irrottamista.

⚠HUOMIO: Pidä koneesta ja akkupaketista tiukasti kiinni, kun irrotat tai kiinnität akkupakettia. Jos kone tai akkupaketti putoaa käsistäsi, ne voivat vaurioitua tai aiheuttaa henkilövamman.

⚠HUOMIO: Työnnä akkupaketti aina pohjaan asti, niin että punainen ilmaisin ei enää näy. Jos akku ei ole kunnolla paikallaan, se voi pudota koneesta ja aiheuttaa vammoja joko sinulle tai sivullisille.

⚠HUOMIO: Älä käytä voimaa akun asennuksessa. Jos akku ei liu'u paikalleen helposti, se on väärässä asennossa.

► **Kuva8:** 1. Punainen ilmaisin 2. Painike 3. Akkupaketti

Irrota akkupaketti painamalla akun etupuolella olevaa painiketta ja liu'uttamalla akku ulos koneesta.

Akkupaketti asennetaan paikalleen sovittamalla akkupaketin kieleke rungon uraan ja työntämällä se sitten paikalleen. Työnnä akkupaketti pohjaan asti niin, että

kuulet sen napsahtavan paikoilleen. Jos painikkeen yläpuolella näkyy punainen ilmaisin, akkupaketti ei ole lukkiutunut täysin paikoilleen.

Akun jäljellä olevan varaustason ilmaisin

Vain akkupaketeille ilmaisimella

Painamalla tarkistuspainiketta saat näkyviin akun jäljellä olevan varausten. Merkkivalot palavat muutaman sekunnin ajan.

► **Kuva9:** 1. Merkkivalot 2. Tarkistuspainike

Merkkivalot			Akussa jäljellä olevan varaus
Palaa	Pois päältä	Viikkuu	
			75% - 100%
			50% - 75%
			25% - 50%
			0% - 25%
			Lataa akku.
			Akussa on saattanut olla toimintahäiriö.

HUOMAA: Ilmoitettu varaustaso voi erota hieman todellisesta varaustasosta sen mukaan, millaisissa oloissa ja missä lämpötilassa laitetta käytetään.

HUOMAA: Ensimmäinen (vasemmanpuoleisin) merkkivalo viikkuu, kun akun suojausjärjestelmä on toiminnassa.

Koneen/akun suojausjärjestelmä

Kone on varustettu koneen/akun suojausjärjestelmällä. Tämä järjestelmä pidentää koneen ja akun käyttöikää katkaisemalla automaattisesti moottorin virran. Kone pysähtyy automaattisesti kesken käytön, jos siinä tai akussa ilmenee jokin seuraavista tilanteista:

Ylikuormitussuoja

Kun konetta tai akkua käytetään tavalla, jossa virrankulutus on suuri, kone pysähtyy automaattisesti ilmoittamatta tästä. Katkaise tässä tilanteessa koneesta virta ja lopeta ylikuormitustilan aiheuttanut käyttö. Käynnistä sitten kone uudelleen kytkemällä siihen virta.

Ylikuumenemissuoja

Kun kone tai akku ylikuumentuu, kone pysähtyy automaattisesti. Anna tällöin koneen ja akun jäähtyä, ennen kuin kytket virran uudelleen päälle.

Ylipurkautumissuoja

Kun akun varaus on riittämätön, kone pysähtyy automaattisesti. Irrota tässä tapauksessa akku koneesta ja lataa akku.

Kytkimen käyttäminen

VAROITUS: Varmista ennen akun asentamista koneeseen, että liipaisinkytkin toimii oikein ja palautuu OFF-asentoon, kun se vapautetaan.

► **Kuva10:** 1. Liipaisinkytkin

Käynnistä kone liipaisinkytkintä painamalla. Mitä voimakkaammin liipaisinkytkintä painetaan, sitä voimakkaammin kone puhalttaa. Pysäytä vapauttamalla liipaisinkytkin.

Vakionopeussäädin

Vakionopeussäätimen avulla käyttäjä voi pitää koneen nopeuden samana, vaikka kytkintä ei paineta. Nopeutta voi nostaa painamalla hallintavipua eteenpäin. Nopeutta voi pienentää vetämällä hallintavipua taaksepäin.

► **Kuva11:** 1. Hallintavipu

Vahinkokäynnistyksen estotoiminto

Kone ei käynnisty, vaikka liipaisinkytkintä painettaisiin akkupaketin asennuksen aikana. Voit käynnistää koneen vapauttamalla ensin liipaisinkytkimen, palauttamalla hallintavivun perusasentoonsa ja painamalla sitten liipaisinkytkintä.

TYÖSKENTELY

HUOMIO: Älä aseta konetta maahan, kun se on kytketty päälle. Hiekkaa tai pölyä voi päästä sisään imuaukon kautta, mikä voi aiheuttaa toimintahäiriön tai henkilövamman.

Pitele konetta tukevasti kädessä ja suorita puhallus liikuttamalla sitä hitaasti ympäriinsä. Jos puhallat rakennuksen, suuren kiven tai ajoneuvon ympärillä, suuntaa suutin sivuun. Kun puhallat nurkkaa, aloita nurkasta ja jatka siten laajemmalle alueelle.

► **Kuva12**

KUNNOSSAPITO

HUOMIO: Varmista aina ennen tarkastusta tai ylläpitotoimia, että kone on sammutettu ja akkupaketti irrotettu.

Tuotteen TURVALLISUUDEN ja LUOTETTAVUUDEN takaamiseksi korjaukset, muut huoltotyöt ja säädöt on teetettävä Makitan valtuutetussa huoltopisteessä Makitan varaosia käyttäen.

Koneen puhdistus

Puhdista kone pyyhkimällä pölyt kuivalla liinalla tai kostuta liina saippuaveteen ja rutista kuivaksi.

► Kuva13

HUOMAUTUS: Älä koskaan käytä bensiiniä, ohteita, alkoholia tai tms. aineita. Muutoin pinta voi halkeilla tai sen värit ja muoto voivat muuttua. Muutoin laitteeseen voi tulla värjäytyimiä, muodon vääristymiä tai halkeamia.

Poista pöly tai lika koneen takana olevan imuaukon ympäristöstä.

► Kuva14: 1. Imuaukko

Säilytys

Koneen pohjassa on reikä, josta se on kätevä ripustaa seinään kiinnitettyyn naulaan tai ruuviin. Varastoi kone pois lasten ulottuvilta ja suojaan kosteudelta ja sateelta.

► Kuva15: 1. Reikä

VIANMÄÄRITYS

Tarkista kone ensin itse, ennen kuin viet sen korjattavaksi. Jos havaitset ongelman, johon ei löydy ratkaisua ohjeista, älä yritä purkaa konetta. Vie se sen sijaan valtuutettuun Makita-huoltoon. Käytä korjaamiseen aina alkuperäisiä Makita-varaosia.

Epänormaali tila	Todennäköinen syy (toimintahäiriö)	Korjaus
Moottori ei käy.	Akkupakettia ei ole asennettu.	Kiinnitä akku paikalleen.
	Akkuongelma (alijännite)	Lataa akku. Jos lataaminen ei toimi tehokkaasti, vaihda akku.
	Vetojärjestelmä ei toimi oikein.	Pyydä valtuutettua huoltoliikettäsi korjaamaan laite.
Moottori pysähtyy lyhyen käytön jälkeen.	Akun varaustila on alhainen.	Lataa akku. Jos lataaminen ei toimi tehokkaasti, vaihda akku.
	Ylikuumentuminen.	Lopeta koneen käyttö, jotta se saa tilaisuuden jäähtyä.
Kone ei saavuta maksiminopeutta.	Akkua ei ole asennettu oikein.	Asenna akkupaketti tämän käyttöohjeen ohjeiden mukaan.
	Akun teho laskee.	Lataa akku. Jos lataaminen ei toimi tehokkaasti, vaihda akku.
	Vetojärjestelmä ei toimi oikein.	Pyydä valtuutettua huoltoliikettäsi korjaamaan laite.
Epänormaali tärinä: ⇒ pysäytä kone välittömästi!	Vetojärjestelmä ei toimi oikein.	Pyydä valtuutettua huoltoliikettäsi korjaamaan laite.
Moottori ei pysähdy: ⇒ Poista akku välittömästi!	Sähköinen tai elektroninen toimintahäiriö.	Poista akku ja pyydä valtuutettua huoltoliikettäsi korjaamaan laite.

LISÄVARUSTEET

⚠HUOMIO: Seuraavia lisävarusteita tai -laitteita suositellaan käytettäväksi tässä ohjeessa kuvattun Makita-tuotteen kanssa. Muiden lisävarusteiden tai -laitteiden käyttö voi aiheuttaa henkilövahinkoja. Käytä lisävarusteita ja -laitteita vain niiden käyttötaroituksen mukaisesti.

Jos tarvitset apua tai yksityiskohtaisempia tietoja seuraavista lisävarusteista, ota yhteys paikalliseen Makitan huoltoon.

- Sovitinputki
- Jatkosuutin
- Lattasuutin
- Rästysasuutin
- Veden puhallussuutin
- Olkahihna
- Aito Makitan akku ja laturi

HUOMAA: Jotkin luettelossa mainitut varusteet voivat sisältyä laiteomitukseen vakiovarusteina. Ne voivat vaihdella maittain.

SPECIFIKATIONER

Model:		DUB184
Kapacitet	Luftvolumen	0 - 13,0 m ³ /min
	Luft hastighed (gennemsnit)	0 - 43,2 m/s
	Luft hastighed (maks.)	0 - 52,1 m/s
Samlet længde (med forreste mundstykke)		825 mm
Mærkespænding		18 V DC
Nettovægt		2,5 - 3,0 kg

- På grund af vores kontinuerlige forsknings- og udviklingsprogrammer kan hosstående specifikationer blive ændret uden varsel.
- Specifikationer kan variere fra land til land.
- Vægten kan være anderledes afhængigt af tilbehøret, inklusive akkuen. Den letteste og tungeste kombination i henhold til EPTA-procedure 01/2014 er vist i tabellen.

Anvendelig akku og oplader

Akku	BL1815N / BL1820B / BL1830B / BL1840B / BL1850B / BL1860B
Oplader	DC18RC / DC18RD / DC18RE / DC18SD / DC18SE / DC18SF / DC18SH / DC18WC

- Nogle af de akkuer og opladere, der er angivet ovenfor, er muligvis ikke tilgængelige, afhængigt af hvilket område du bor i.

⚠ ADVARSEL: Brug kun de akkuer og opladere, der er angivet ovenfor. Brug af andre akkuer og opladere kan medføre personskaade og/eller brand.


Anbefalet ledningstilsluttet strømforsyningskilde

Bærbar strømforsyning	PDC01
-----------------------	-------

- Den eller de ovenfor anførte ledningstilsluttede strømforsyningskilder er muligvis ikke tilgængelige, afhængigt af hvilket område du bor i.
- Inden du bruger den ledningstilsluttede strømforsyningskilde, skal du læse instruktionen og advarselmærkerne på dem.

Symboler

Følgende viser de symboler, der muligvis anvendes til udstyret. Sørg for, at du forstår deres betydning før brugen.

	Udvis særlig forsigtighed og opmærksomhed.
	Læs betjeningsvejledningen.
	Hold hænderne væk fra roterende dele.
	Langt hår kan medføre ulykker, da det kan vikles ind i maskineriet.
	Hold omkringstående personer væk.
	Bær beskyttelsesbriller og høreværn.



Udsæt ikke for fugt.



Kun for lande inden for EU
På grund af tilstedeværelsen af farlige komponenter i udstyret kan affald af elektrisk og elektronisk udstyr, akkumulatører og batterier have en negativ indvirkning på miljøet og folkesundheden. Bortskaf ikke elektriske og elektroniske apparater eller batterier sammen med husholdningsaffald!
I overensstemmelse med EF-direktiv om affaldshåndtering af elektrisk og elektronisk udstyr og om akkumulatører og batterier og affaldsakkumulatører og -batterier, og i overensstemmelse med national lovgivning, skal brugt elektrisk udstyr, batterier og akkumulatører opbevares separat og leveres til et separat indsamlingssted for kommunalt affald, der er etableret i henhold til bestemmelserne om miljøbeskyttelse. Dette er angivet ved symbolet på den krydsede skraldespand, der er placeret på udstyret.



Garanteret lydeffektniveau i henhold til EU-direktivet om maskiner til udendørs brug.



Lydeffektniveau i henhold til Australiens NSW forordning om støjemission

Tilsigtet anvendelse

Maskinen er beregnet til at blæse støv.

Støj

Det typiske A-vægtede støjniveau bestemt i overens-

stemmelse med EN50636-2-100:

Lydtryksniveau (L_{pA}): 86,6 dB (A)

Usikkerhed (K): 1,4 dB (A)

Lydeffektniveau (L_{WA}): 93,5 dB (A)

Usikkerhed (K): 2,7 dB (A)

BEMÆRK: De(n) angivne støjemissionsværdi(er) er målt i overensstemmelse med en standardtestmetode og kan anvendes til at sammenligne en maskine med en anden.

BEMÆRK: De(n) angivne støjemissionsværdi(er) kan også anvendes i en præliminær eksponeringsvurdering.

⚠ ADVARSEL: Bær høreværn.

⚠ ADVARSEL: Støjemissionen under den faktiske anvendelse af maskinen kan være forskellig fra de(n) angivne værdi(er), afhængigt af den måde hvorpå maskinen anvendes, især den type arbejdsømne der behandles.

⚠ ADVARSEL: Sørg for at identificere de sikkerhedsforskrifter til beskyttelse af operatøren, som er baseret på en vurdering af eksponering under de faktiske brugsforhold (med hensyntagen til alle dele i brugscyklussen, f.eks. de gange, hvor maskinen er slukket, og når den kører i tomgang i tilgift til afbrydertiden).

Vibration

Vibrationens totalværdi (tre-aksial vektorsum) bestemt i

overensstemmelse med EN50636-2-100:

Arbejdstilstand: brug uden belastning

Vibrationsemission (a_{h1}): 2,5 m/s² eller mindre

Usikkerhed (K): 1,5 m/s²

BEMÆRK: De(n) angivne totalværdi(er) for vibration er målt i overensstemmelse med en standardtestmetode og kan anvendes til at sammenligne en maskine med en anden.

BEMÆRK: De(n) angivne totalværdi(er) for vibration kan også anvendes i en præliminær eksponeringsvurdering.

⚠ ADVARSEL: Vibrationsemissionen under den faktiske anvendelse af maskinen kan være forskellig fra de(n) angivne værdi(er), afhængigt af den måde hvorpå maskinen anvendes, især den type arbejdsømne der behandles.

⚠ ADVARSEL: Sørg for at identificere de sikkerhedsforskrifter til beskyttelse af operatøren, som er baseret på en vurdering af eksponering under de faktiske brugsforhold (med hensyntagen til alle dele i brugscyklussen, f.eks. de gange, hvor maskinen er slukket, og når den kører i tomgang i tilgift til afbrydertiden).

Overensstemmelseserklæringer

Kun for lande i Europa

Overensstemmelseserklæringerne er inkluderet i Bilag A i denne brugsanvisning.

SIKKERHEDSADVARSLER

Sikkerhedsinstruktioner for akku blæser

⚠ ADVARSEL: Læs alle sikkerhedsadvarsler og alle sikkerhedsinstruktioner. Hvis nedenstående advarsler og instruktioner ikke overholdes, kan det medføre elektrisk stød, brand og/eller alvorlig personskade.

Gem alle advarsler og instruktioner til fremtidig reference.

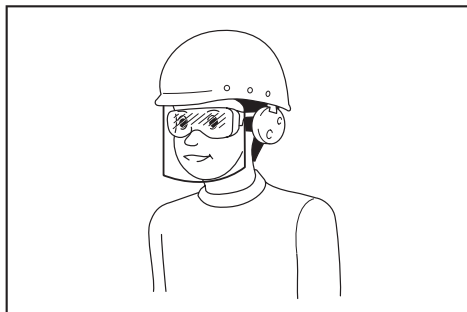
Opklæring

1. Læs instruktionerne omhyggeligt. Vær bekendt med kontrollerne og korrekt brug af blæseren.
2. Lad aldrig børn, personer med reducerede fysiske, motoriske eller mentale færdigheder eller manglende erfaring og viden eller personer, der ikke er bekendt med disse instruktioner, anvende blæseren. Lokal lovgivning begrænser muligvis operatørens alder.
3. Anvend aldrig blæseren, når der er personer, især børn, eller kæledyr i nærheden.
4. Husk, at operatøren eller brugeren er ansvarlig for ulykker eller farlige situationer, der sker på andre personer eller deres ejendom.

Forberedelse

1. Bær altid solidt fodtøj og lange bukser, når du betjener blæseren.
2. Bær ikke løst tøj eller smykker, der kan trækkes ind i luftåbningen. Hold langt hår væk fra luftåbningerne.
3. Bær altid beskyttelsesbriller for at beskytte dine øjne mod skader, når du bruger maskinen. Beskyttelsesbrillerne skal overholde ANSI Z87.1 i USA, EN 166 i Europa eller AS/NZS 1336

i Australien/New Zealand. I Australien/New Zealand er det desuden påbudt ved lov at bære ansigtsskærm for at beskytte dit ansigt.



Det er arbejdsgiverens ansvar at påbyde brugerne af maskinen samt andre personer i det umiddelbare arbejdsområde at bære passende sikkerhedsbeskyttelsesudstyr.

4. For at undgå støvgener anbefales det at bære ansigtsmaske.
5. Bær altid skridsikkert og beskyttende fodtøj ved brug af maskinen. Skridsikre lukkede sikkerhedsstøvler og -sko mindsker risikoen for personskade.
6. Bær personligt beskyttelsesudstyr. Brug altid beskyttelsesbriller. Beskyttelsesudstyr som f.eks. støvmaske, skridsikre sko, hjelm eller høreværn, der benyttes under de relevante forhold, forebygger personskade.

Betjening

1. Sluk for blæseren, og fjern akkuen, og sørg for, at alle bevægelige dele er stoppet helt
 - hver gang du lægger blæseren fra dig.
 - før du fjerner blokeringer.
 - før du efterser, rengør eller arbejder på blæseren.
 - hvis blæseren begynder at vibrere unormalt.
2. Anvend kun blæseren i dagslys eller i god kunstig belysning.
3. Stræk dig ikke for langt, og oprethold til enhver tid korrekt balance og fodfæste.
4. Sørg altid for et godt fodfæste på skråninger.
5. Gå, løb aldrig.
6. Hold alle kølingsluftåbningerne fri for affald.
7. Blæs aldrig affald i retning af omkringstående.
8. Brug blæseren i en anbefalet stilling og på en solid overflade.
9. Anvend ikke blæseren på høje steder.
10. Peg aldrig mundstykket mod personer i nærheden, når du bruger blæseren.
11. Blokér aldrig sugeåbningen og/eller blæserudgangen.
 - Pas på ikke at blokere sugeåbningen eller blæserudgangen med støv eller snavs, når du arbejder i et støvet område.
 - Brug ikke andre mundstykker end mundstykkerne fra Makita.
 - Brug ikke blæseren til at puste bolde,

gummibåde eller lignende op.

12. Brug ikke blæseren i nærheden af et åbent vindue eller lignende.
13. Det anbefales kun at bruge blæseren på rimelige tidspunkter - ikke tidligt om morgenen eller sent om aftenen, hvor det kan forstyrre folk.
14. Brug af river og koste til at løsne affald inden blæsning anbefales.
15. Hvis blæseren rammer nogen fremmedlegemer eller begynder at frembringe usædvanlig støj eller vibration, skal du med det samme slukke for blæseren for at stoppe den. Tag akkuen ud af blæseren og efterse blæseren for skader, før du starter og betjener blæseren igen. Bed et autoriseret Makita servicecenter om reparation, hvis blæseren er beskadiget.
16. Sæt ikke fingrene eller andre genstande ind i sugeåbningen eller blæserudgangen.
17. Forebyg start ved et uheld. Sørg for, at kontakten er i fra-positionen, før du indsætter akkuen, tager blæseren op eller bærer den. Hvis du bærer blæseren med fingeren på kontakten, eller hvis du sætter strøm til blæseren, mens kontakten er slået til, kan det medføre uheld.
18. Blæs aldrig farlige materialer som fx søm, glassplinter eller klinger.
19. Brug ikke blæseren i nærheden af brændbare materialer.
20. Undgå betjening af blæseren i lang tid i omgivelser med lav temperatur.

Vedligeholdelse og opbevaring

1. Hold alle møtrikker, bolte og skruer stramme for at sikre dig, at blæseren er i sikker arbejdstilstand.
2. Hvis delene er slidte eller beskadiget, skal du udskifte dem med dele fra Makita.
3. Opbevar blæseren på et tørt sted, der er utilgængeligt for børn.
4. Når du stopper blæseren af hensyn til eftersyn, servicering, opbevaring eller udskiftning af tilbehør, skal du slukke for blæseren, og sikre dig at alle dele i bevægelse er stoppet helt, og derefter fjerne akkuen. Lad blæseren køle af, før du udfører nogen form for arbejde på blæseren. Vedligehold blæseren med omhu og hold den ren.
5. Lad altid blæseren køle af, før den opbevares.
6. Udsæt ikke blæseren for regn. Opbevar blæseren inden døre.
7. Når du løfter blæseren, skal du sørge for at bøje i knæene og passe på ikke at skade ryggen.

Brug og vedligeholdelse af batteriet

1. Oplad kun med den oplader, som producenten angiver. En oplader, der passer til én type batteri, kan forårsage brand, hvis den anvendes med et andet batteri.
2. Brug kun el-værktøjer sammen med de tilhørende batteripakker. Brug af andre batteripakker kan forårsage personskade og brand.
3. Når batteripakker ikke anvendes, skal de

Vigtige sikkerhedsinstruktioner for akkuen

holdes borte fra andre metalgenstande som papirclips, mønter, nøgler, søm, skruer og andre små metalgenstande, der kan skabe forbindelse mellem terminalerne. Hvis batteriets terminaler kortsluttes, kan det forårsage brand.

4. **I tilfælde af misbrug kan der sprøjte væske ud fra batteriet. Undgå kontakt. Skyl med vand, hvis De kommer i kontakt med væsken. Søg læge, hvis De får væske i øjet.** Væske, der sprøjter ud fra batteriet, kan medføre irritation eller forbrændinger.
5. **Undlad at bruge en akku eller maskine, der er beskadiget eller ændret.** Beskadigede eller ændrede batterier kan fungere uforudsigeligt og medføre brand, eksplosion eller risiko for personskade.
6. **Undlad at udsætte en akku eller maskine for brand eller høje temperaturer.** Udsættelse for brand eller temperaturer på over 130 °C kan medføre eksplosion.
7. **Følg alle instruktioner vedrørende opladning, og undlad at oplade akkuen eller maskinen uden for det temperaturinterval, der er angivet i instruktionerne.** Opladning, der udføres forkert eller ved temperaturer uden for det angivne temperaturinterval, kan beskadige batteriet og medføre øget risiko for brand.

Elektrisk sikkerhed og batterisikkerhed

1. **Undlad at kaste batterierne i åben ild.** Cellen kan eksplodere. Tjek de lokale regler for eventuelle særlige instruktioner vedrørende bortskaffelse.
2. **Undlad at åbne eller mishandle batterierne.** Lækket elektrolyt er ætsende og kan medføre skader på øjnene eller huden. Den kan være giftig, hvis den indtages.
3. **Undlad at oplade batteriet i regnvejrr eller under våde forhold.**
4. **Oplad ikke batteriet uden døre.**
5. **Håndter ikke oplader, herunder opladerstik, og opladerterminaler med våde hænder.**

Service

1. **Få udført service på el-værktøjet hos en autoriseret mekaniker, og brug kun tilsvarende reservedele.** Derved vedligeholdes el-værktøjets sikkerhed.
2. **Udfør aldrig service på beskadigede akkuer.** Service på akkuer må kun udføres af producenten eller af autoriserede reparatører.

GEM DENNE BRUGSANVISNING.

⚠ ADVARSEL: LAD IKKE bekvemmelighed eller kendskab til produktet (opnået gennem gentagen brug) forhindre, at sikkerhedsforskrifterne for produktet nøje overholdes.

MISBRUG eller forsømmelse af at følge de i denne brugsvejledning givne sikkerhedsforskrifter kan føre til, at De kommer alvorligt til skade.

1. **Læs alle instruktioner og advarselmærkater på (1) akku-opladeren, (2) akkuen og (3) produktet, som anvender akku.**
2. **Adskil eller ændr ikke akkuen.** Det kan muligvis resultere i en brand, overdreven varme eller eksplosion.
3. **Hold straks op med anvendelsen, hvis brugstiden er blevet stærkt afkortet.** Fortsat anvendelse kan resultere i risiko for overophedning, forbrændinger og endog eksplosion.
4. **Hvis De har fået elektrolytvæske i øjnene, skal De straks skylle den ud med rent vand og derefter øjeblikkeligt søge lægehjælp. I modsat fald kan De miste synet.**
5. **Vær påpasselig med ikke at komme til at kortslutte akkuen:**
 - (1) Rør ikke ved terminalerne med noget ledende materiale.
 - (2) Undgå at opbevare akkuen i en beholder sammen med andre genstande af metal, for eksempel søm, mønter og lignende.
 - (3) Udsæt ikke akkuen for vand eller regn. Kortslutning af akkuen kan forårsage en kraftig øgning af strømmen, overophedning, mulige forbrændinger og endog værktøjstop.
6. **Opbevar og brug ikke maskinen og akkuen på steder, hvor temperaturen muligvis kan nå eller overstige 50 °C.**
7. **Lad være med at brænde akkuen, selv ikke i tilfælde, hvor den har lidt alvorlig skade eller er fuldstændig udtjent. Akkuen kan eksplodere, hvis man forsøger at brænde den.**
8. **Slå ikke søm i, skær ikke i, knus, kast, tab ikke akkuen og stød ikke akkuen mod en hård genstand.** Sådan adfærd kan muligvis resultere i en brand, overdreven varme eller eksplosion.
9. **Anvend ikke en beskadiget akku.**
10. **De indbyggede litium-ion-batterier er underlagt lovkrav vedrørende farligt gods.** Ved kommerciel transport, f.eks. af tredjeparts transportselskaber, skal særlige krav til forpakning og mærkning overholdes. Ved forberedelse af udstyret til forsendelse skal du kontakte en ekspert i farligt gods. Overhold også eventuel mere detaljeret national lovgivning. Tape eller tildæk åbne kontakter, og pak batteriet på en måde, så det ikke kan flytte sig rundt i pakningen.
11. **Når akkuen bortskaffes, skal du fjerne den fra maskinen og bortskaffe den på et sikkert sted. Følg de lokale love vedrørende bortskaffelsen af batterier.**
12. **Brug kun batterierne med de produkter, som Makita specificerer.** Hvis batterierne installeres i ikke-kompatible produkter, kan det medføre brand, kraftig varme, eksplosion eller udsivning af elektrolyt.
13. **Hvis maskinen ikke skal bruges i længere tid ad gangen, skal du fjerne batteriet fra maskinen.**
14. **Akkuen kan muligvis under og efter brug være**

varm, hvilket kan forårsage forbrændinger eller lavtemperaturforbrændinger. Vær påpasselig med håndtering af varme akkuer.

15. Rør ikke terminalen på maskinen straks efter brug, da den bliver varm nok til at forårsage forbrændinger.
16. Sørg for, at spåner, støv eller jord ikke sætter sig fast i akkuens terminaler, huller og riller. Det kan forårsage opvarmning, antændelse, sprængning og funktionsfejl i maskinen eller akkuen, hvilket kan medføre forbrændinger eller personskade.
17. Medmindre maskinen understøtter brugen i nærheden af elektriske højspændingsledninger, skal du ikke anvende akkuen i nærheden af elektriske højspændingsledninger. Det kan muligvis medføre funktionsfejl på eller nedbrud af maskinen eller akkuen.
18. Opbevar batteriet utilgængeligt for børn.

GEM DENNE BRUGSANVISNING.

⚠FORSIGTIG: Brug kun originale batterier fra Makita. Brug af uoriginale Makita-batterier, eller batterier som er blevet ændret, kan muligvis medføre brud på batteriet, hvilket kan forårsage brand, personskade eller beskadigelse. Det ugyldiggør også Makita-garantien for Makita-maskinen og opladeren.

Tips til opnåelse af maksimal akku-levetid

1. Oplad akkuen, inden den er helt afladet. Stop altid værktøjet, og oplad akkuen, hvis De bemærker, at værktøjeffekten er aftagende.
2. Genoplad aldrig en fuldt opladet akku. Overopladning vil afkorte akkuens levetid.
3. Oplad akkuen ved stuetemperatur ved 10 °C - 40 °C. Lad altid en varm akku få tid til at køle af, inden den oplades.
4. Når du ikke anvender akkuen, skal du fjerne den fra maskinen eller opladeren.
5. Oplad akkuen, hvis De ikke skal bruge den i længere tid (mere end seks måneder).

SAMLING

⚠FORSIGTIG: Sørg altid for, at maskinen er slukket, og at akkuen er taget ud, før du udfører nogen form for arbejde på maskinen.

Montering af det forreste mundstykke

1. Løsn 2 skruer med unbrakonøglen og træk derefter skruerne hele vejen.

► Fig.1: 1. Skruer

2. Sørg for at Makita-logoet på det forreste mundstykke vender i retningen vist på figuren og monter derefter det forreste mundstykke til maskinen.

► Fig.2: 1. Forreste mundstykke

3. Stram skruerne med unbrakonøglen.

► Fig.3: 1. Skruer

Montering af det flade mundstykke eller forlængermundstykket

Ekstraudstyr

1. Fastgør adapterrøret til det forreste mundstykke og drej det derefter med uret for at låse det på plads.

► Fig.4: 1. Adapterrør 2. Forreste mundstykke

2. Fastgør det flade mundstykke eller forlængermundstykket til adapterrøret og drej det derefter for at låse det på plads.

► Fig.5: 1. Fladt mundstykke
2. Forlængermundstykke 3. Adapterrør

Montering af mundstykket til tagreder

Ekstraudstyr

Mundstykket til tagreder kan monteres på blæseren. Adapterrøret, som er designet udelukkende til denne model, er nødvendigt for at kunne montere mundstykket til tagreder.

For yderligere oplysninger henvises til den brugsanvisning, som følger med mundstykket til tagreder.

Montering af mundstykket til vandblæsning

Ekstraudstyr

Mundstykket til vandblæsning kan monteres på blæseren.

For yderligere oplysninger henvises til brugsanvisningen, der følger med mundstykket til vandblæsning.

Montering af skulderselen

Ekstraudstyr

⚠FORSIGTIG: Sørg for at montere krogene på skulderselen forsvarligt på maskinen. Hvis krogene er ufuldstændigt monteret, kan de gå løs og forårsage en personskade.

⚠FORSIGTIG: Sørg for at bruge den dedikerede skuldersæle til denne maskine. Brug af anden skuldersæle kan medføre personskade.

⚠FORSIGTIG: Når du anvender maskinen kombineret med en strømforsyning af rygsæktypen som fx en bærbar strømforsyning, skal du ikke anvende skulderselen, som er inkluderet i pakken med maskinen.

Hvis du anvender skulderselen inkluderet i pakken med maskinen og skulderselen til strømforsyningen af rygsæktypen på samme tid, er det svært at fjerne maskinen eller strømforsyningen af rygsæktypen i et nødstilfælde, og det kan muligvis forårsage en ulykke eller tilskadekomst.

Monter krogene på skulderselen på maskinen som vist i figuren.

► Fig.6: 1. Krog

Du kan også montere skulderselen på maskinen som vist på figuren ved at fastgøre én ende af skulderselen til spændet på skulderselen.

► Fig.7: 1. Spænde

FUNKTIONSBESKRIVELSE

⚠FORSIGTIG: Sørg altid for, at maskinen er slukket, og at akkuen er fjernet, før du justerer eller kontrollerer funktionen på maskinen.

Isætning eller fjernelse af akkuen

⚠FORSIGTIG: Sluk altid for maskinen, før du monterer eller fjerner akkuen.

⚠FORSIGTIG: Hold maskinen og akkuen fast, når du monterer eller fjerner akkuen. Hvis du ikke holder maskinen og akkuen fast, kan de glide ud af dine hænder og resultere i skader på maskinen, akkuen og en personskada.

⚠FORSIGTIG: Installer altid akkuen helt, indtil den røde indikator ikke kan ses. Ellers kan den falde ud af maskinen ved et uheld og forårsage personskada på dig eller personer i nærheden.

⚠FORSIGTIG: Brug ikke magt ved montering af akkuen. Hvis akkuen ikke glider på plads uden problemer, betyder det, at den ikke sættes i på korrekt vis.

► Fig.8: 1. Rød indikator 2. Knap 3. Akku

Akkuen fjernes ved, at den trækkes ud af maskinen, idet der skydes på knappen på forsiden af akkuen.

Akkuen monteres ved, at De sætter tungen på akkuen ud for noten i kabinettet og lader den glide på plads. Sæt den hele vejen ind, så den låses på plads med et lille klik. Hvis den røde indikator på oversiden af knappen er synlig, betyder det, at den ikke er tilstrækkeligt låst.

Indikation af den resterende batteriladning

Kun til akkuer med indikatoren

Tryk på kontrolknappen på akkuen for at få vist den resterende batteriladning. Indikatorlampe lyser i nogle sekunder.

► Fig.9: 1. Indikatorlamper 2. Kontrolknap

Indikatorlamper			Resterende ladning
Tændt	Slukket	Blinker	
■	□	◐	75% til 100%
■	■	■	50% til 75%

Indikatorlamper			Resterende ladning
Tændt	Slukket	Blinker	
■	■	□	25% til 50%
■	□	□	0% til 25%
◐	□	□	Genoplad batteriet.
■	■	□	Der er muligvis fejl i batteriet.
□	□	■	

BEMÆRK: Afhængigt af brugsforholdene og den omgivende temperatur kan indikationen afvige en smule fra den faktiske ladning.

BEMÆRK: Den første indikatorlampe (længst mod venstre) vil blinke, når batteribeskyttelsessystemet aktiveres.

Beskyttelsessystem til maskinen/batteriet

Maskinen er udstyret med et beskyttelsessystem til maskinen/batteriet. Dette system afbryder automatisk strømmen til motoren for at forlænge maskinens og batteriets levetid. Maskinen stopper automatisk under brugen, hvis maskinen eller batteriet udsættes for et af følgende forhold:

Overbelastningsbeskyttelse

Hvis maskinen eller batteriet bruges på en måde, der får den/det til at trække en unormalt høj strøm, stopper maskinen automatisk uden indikation. Sluk i så fald for maskinen, og stop den anvendelse, der medførte, at maskinen blev overbelastet. Tænd derefter for maskinen for at starte den igen.

Beskyttelse mod overophedning

Hvis maskinen eller batteriet bliver overophedet, stopper maskinen automatisk. Lad i så fald maskinen og batteriet køle af, før der tændes for maskinen igen.

Beskyttelse mod overafledning

Hvis batteriladningen ikke er tilstrækkelig, stopper maskinen automatisk. Fjern i så fald batteriet fra maskinen, og lad batteriet op.

Afbryderbetjening

⚠ADVARSEL: Før akkuen sættes i maskinen, skal du altid kontrollere, at afbryderknappen fungerer korrekt og vender tilbage til "FRA"-stillingen, når du slipper den.

► Fig.10: 1. Afbryderknap

For at starte maskinen skal du blot trykke på afbryderknappen. Maskinens hastighed øges ved at øge trykket på afbryderknappen. Slip afbryderknappen for

at stoppe.

Fartpilotfunktion

Fartpilotfunktionen gør det muligt for operatøren at bevare en konstant hastighed uden at trykke på afbryderen. Drej kontrolarm fremad for at øge hastigheden. Drej kontrolarmen bagud for at sænke hastigheden.

► Fig.11: 1. Kontrolarm

Funktion til forhindring af utilsigtet genstart

Maskinen starter ikke, selvom du installerer akkuen, mens du trykker på afbryderknappen. For at starte maskinen skal du først slippe afbryderknappen og sætte kontrolarmen helt tilbage og derefter trykke på afbryderknappen.

ANVENDELSE

⚠FORSIGTIG: Placer ikke maskinen på jorden mens den er tændt. Sand eller støv kan muligvis komme ind i sugeåbningen og medføre en funktionsfejl eller personskade.

Hold godt fast i maskinen med én hånd og udfør blæseringen ved at bevæge den langsomt rundt. Når der blæses omkring en bygning, stor sten eller et køretøj, skal du rette mundstykket væk fra dem. Når du udfører arbejde i et hjørne, skal du starte fra hjørnet og derefter flytte til et åbent område.

► Fig.12

FEJLFINDING

Inden du beder om reparation, skal du først udføre din egen inspektion. Hvis du opdager et problem, som ikke er forklaret i brugsanvisningen, må du ikke forsøge at skille maskinen ad. Henvend dig i stedet til et autoriseret Makita servicecenter, og brug altid Makita-reservedele til reparationer.

Unormal tilstand	Sandsynlig årsag (fejl)	Afhjælpning
Motoren kører ikke.	Akkuen er ikke indsat.	Indsæt akkuen.
	Problem med batteriet (for lav spænding)	Genoplad batteriet. Udskift batteriet, hvis genopladning ikke er effektiv.
	Drevsystemet fungerer ikke korrekt.	Kontakt det lokale autoriserede servicecenter for reparation.
Motoren holder op med at køre efter kort tids brug.	Batteriets opladningsniveau er for lavt.	Genoplad batteriet. Udskift batteriet, hvis genopladning ikke er effektiv.
	Overophedning.	Hold op med at bruge maskinen, så den kan køle af.
Maskinen når ikke den maksimale hastighed.	Batteriet er indsat forkert.	Indsæt akkuen som beskrevet i denne brugervejledning.
	Batteriladningen falder.	Genoplad batteriet. Udskift batteriet, hvis genopladning ikke er effektiv.
	Drevsystemet fungerer ikke korrekt.	Kontakt det lokale autoriserede servicecenter for reparation.
Unormal vibration: ⇒ Stop maskinen med det samme!	Drevsystemet fungerer ikke korrekt.	Kontakt det lokale autoriserede servicecenter for reparation.
Motor kan ikke stoppe: ⇒ Fjern batteriet med det samme!	Elektrisk eller elektronisk fejlfunktion.	Fjern batteriet, og kontakt det lokale autoriserede servicecenter for reparation.

VEDLIGEHOLDELSE

⚠FORSIGTIG: Sørg altid for, at maskinen er slukket, og at akkuen er fjernet, før du forsøger at udføre eftersyn eller vedligeholdelse.

For at opretholde produktets SIKKERHED og PÅLIDELIGHED må reparation, vedligeholdelse eller justering kun udføres af et autoriseret Makita servicecenter eller fabrikkSERVICECENTER med anvendelse af Makita reservedele.

Rengøring af maskinen

Rengør maskinen ved at aftørre støv med en tør klud eller en klud, der er dyppet i sæbevand og vredet.

► Fig.13

BEMÆRKNING: Anvend aldrig benzin, rensebenzin, fortynder, alkohol og lignende. Det kan medføre misfarvning, deformation eller revner.

Fjern støv eller snavs fra sugeåbningen bag på maskinen.

► Fig.14: 1. Sugeåbning

Opbevaring

Kroghullet i bunden af maskinen er praktisk til at hænge maskinen på et søm eller en skrue i væggen. Opbevar maskinen på et sted uden for børns rækkevidde, og som ikke er udsat for fugt eller regn.

► Fig.15: 1. Hul

EKSTRAUDSTYR

⚠️ FORSIGTIG: Det følgende tilbehør og ekstraudstyr anbefales til brug med dit Makita-produkt, der er beskrevet i denne brugsanvisning. Brugen af andet tilbehør eller ekstraudstyr kan medføre risiko for personskade. Brug kun ekstraudstyr eller tilbehør til det formål, det er beregnet til.

Hvis De behøver hjælp ved valg af tilbehør eller ønsker yderligere informationer, bedes De kontakte Deres lokale Makita servicecenter.

- Adapterrør
- Forlænger mundstykke
- Fladt mundstykke
- Mundstykke til tagrender
- Mundstykke til vandblæsning
- Skuldersele
- Original Makita-akku og oplader

BEMÆRK: Nogle ting på denne liste kan være inkluderet i produktpakken som standardtilbehør. De kan være forskellige fra land til land.

SPECIFIKĀCIJAS

Modelis:		DUB184
Parametri	Gaisa plūsma	0–13,0 m ³ /min
	Gaisa plūsmas ātrums (vidējais)	0–43,2 m/s
	Gaisa plūsmas ātrums (maksimālais)	0–52,1 m/s
Kopējais garums (ar priekšējo uzgali)		825 mm
Nominālais spriegums		Līdzstrāva 18 V
Neto svars		2,5–3,0 kg

- Nepārtrauktās izpētes un izstrādes programmas dēļ šeit uzrādītās specifikācijas var tikt mainītas bez brīdinājuma.
- Atkarībā no valsts specifikācijas var atšķirties.
- Svars var būt atšķirīgs atkarībā no papildierīces(-ēm), tostarp akumulatora kasetnes. Tabulā ir attēlota vieglākā un smagākā kombinācija atbilstoši EPTA procedūrai 01/2014.

Piemērotā akumulatora kasetne un lādētājs

Akumulatora kasetne	BL1815N / BL1820B / BL1830B / BL1840B / BL1850B / BL1860B
Lādētājs	DC18RC / DC18RD / DC18RE / DC18SD / DC18SE / DC18SF / DC18SH / DC18WC

- Daži no iepriekš norādītajiem lādētājiem un akumulatora kasetnēm var nebūt pieejami atkarībā no jūsu mītnes reģiona.

⚠ BRĪDINĀJUMS: Izmantojiet vienīgi iepriekš norādītās akumulatora kasetnes un lādētājus. Cita tipa akumulatora kasetņu un lādētāju izmantošana var radīt traumu un/vai aizdegšanās risku.

Ieteicamais ar vadu savienojamais barošanas avots

Pārnēsājams barošanas bloks	PDC01
-----------------------------	-------

- Iepriekš norādītais(-ie) ar vadu savienojamais(-ie) barošanas avots(-i) var nebūt pieejams(-i) atkarībā no jūsu mītnes reģiona.
- Pirms izmantojat ar vadu savienojamo barošanas avotu, izlasiet instrukcijas un uz tā redzamos brīdinājumus.

Simboli

Tālāk ir attēloti simboli, kas var attiekties uz darbarīka lietošanu. Pirms darbarīka izmantošanas pārliecinieties, vai pareizi izprotat to nozīmi.

	Esiet īpaši rūpīgs un uzmanīgs.
	Izlasiet lietošanas rokasgrāmatu.
	Netuviniet rokas rotējošām daļām.
	Gari mati var iekļerties.
	Neļaujiet nevienam atrasties darba vietas tuvumā.
	Izmantojiet acu un ausu aizsargus.



Nepakļaujiet mitruma iedarbībai.



Tikai ES valstīm

Tā kā šajā aprīkojumā ir bīstamas sastāvdaļas, elektrisko un elektronisko iekārtu, akumulatoru un bateriju atkritumi var negatīvi ietekmēt apkārtējo vidi un cilvēka veselību.

Elektroierīces, elektroniskās ierīces un akumulatorus nedrīkst izmest kopā ar mājsaimniecības atkritumiem! Saskaņā ar Eiropas direktīvu par elektrisko un elektronisko iekārtu atkritumiem, akumulatoriem un baterijām, kā arī akumulatoru un bateriju atkritumiem un šīs direktīvas pielāgošanu valsts tiesību aktiem elektrisko un elektronisko iekārtu, bateriju un akumulatoru atkritumi ir jāglabā atsevišķi un jānogādā uz sadzīves atkritumu dalītās savākšanas vietu, ievērojot attiecīgos vides aizsardzības noteikumus. Par to liecina uz iekārtas redzams simbols ar pārsvītrotu atkritumu konteineru uz rītiem.



Garantētais skaņas jaudas līmenis saskaņā ar ES Direktīvu par troksni ārpus telpām.



Skaņas jaudas līmenis saskaņā ar Austrālijas NSW trokšņu kontroles noteikumiem

Paredzētā lietošana

Šis darbarīks ir paredzēts putekļu pūšanai.

Trokšņa līmenis

Tipiskais A svērtais trokšņa līmenis noteikts saskaņā ar EN50636-2-100:

Skaņas spiediena līmenis (L_{pA}): 86,6 dB (A)

Mainīgums (K): 1,4 dB (A)

Skaņas jaudas līmenis (L_{WA}): 93,5 dB (A)

Mainīgums (K): 2,7 dB (A)

PIEZĪME: Paziņotā trokšņa emisijas vērtība noteikta atbilstoši standarta pārbaudes metodei, un to var izmantot, lai salīdzinātu vienu darbarīku ar citu.

PIEZĪME: Paziņoto trokšņa emisijas vērtību arī var izmantot iedarbības sākotnējā novērtējumā.

▲BRĪDINĀJUMS: Lietojiet ausu aizsargus.

▲BRĪDINĀJUMS: Trokšņa emisija patiesos darba apstākļos var atšķirties no paziņotās vērtības atkarībā no darbarīka izmantošanas veida un jo īpaši atkarībā no apstrādājamā materiāla veida.

▲BRĪDINĀJUMS: Lai aizsargātu lietotāju, nosakiet drošības pasākumus, kas pamatoti ar iedarbību reālos darba apstākļos (ņemot vērā visus ekspluatācijas cikla posmus, piemēram, laiku, kamēr darbarīks ir izslēgts un kad darbojas tukšgaitā, kā arī palaides laiku).

Vibrācija

Vibrācijas kopējā vērtība (trīsasu vektora summa) noteikta atbilstoši EN50636-2-100:

Darba režīms: darbība bez slodzes

Vibrācijas izmēte (a_h): 2,5 m/s² vai mazāk

Mainīgums (K): 1,5 m/s²

PIEZĪME: Paziņotā kopējā vibrācijas vērtība noteikta atbilstoši standarta pārbaudes metodei, un to var izmantot, lai salīdzinātu vienu darbarīku ar citu.

PIEZĪME: Paziņoto kopējo vibrācijas vērtību arī var izmantot iedarbības sākotnējā novērtējumā.

▲BRĪDINĀJUMS: Vibrācijas emisija patiesos darba apstākļos var atšķirties no paziņotās vērtības atkarībā no darbarīka izmantošanas veida un jo īpaši atkarībā no apstrādājamā materiāla veida.

▲BRĪDINĀJUMS: Lai aizsargātu lietotāju, nosakiet drošības pasākumus, kas pamatoti ar iedarbību reālos darba apstākļos (ņemot vērā visus ekspluatācijas cikla posmus, piemēram, laiku, kamēr darbarīks ir izslēgts un kad darbojas tukšgaitā, kā arī palaides laiku).

Atbilstības deklarācijas

Tikai Eiropas valstīm

Atbilstības deklarācijas šajā lietošanas rokasgrāmatā ir iekļautas kā A pielikums.

DROŠĪBAS BRĪDINĀJUMI

Bezvadu pūtēja drošības norādījumi

▲BRĪDINĀJUMS: Izlasiet visus drošības brīdinājumus un visus norādījumus. Brīdinājumu un norādījumu neievērošanas gadījumā var rasties elektriskās strāvas trieciens, ugunsgrēks un/vai nopietnas traumas.

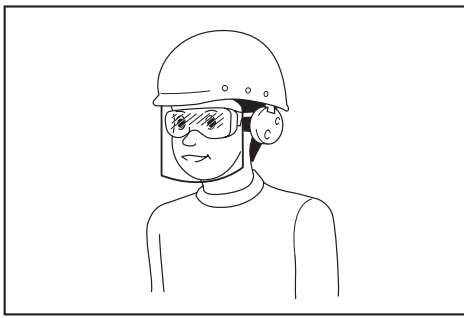
Glabāriet visus brīdinājumus un norādījumus, lai varētu tajos ieskatīties turpmāk.

Apmācība

1. Uzmanīgi izlasiet norādījumus. Izprotiet darbarīka vadības funkcijas un uzziniet, kā pareizi lietot pūtēju.
2. Šo pūtēju nedrīkst izmantot bērni, personas ar samazinātām fiziskām, uztveres vai garīgām spējām, personas, kam trūkst pieredzes un zināšanu, vai personas, kas nav izlasījušas šos norādījumus. Vietējie likumi var noteikt lietotāja vecuma ierobežojumu.
3. Neizmantojiet pūtēju, ja tuvumā ir cilvēki, jo īpaši bērni, vai mājdzīvnieki.
4. Ņemiet vērā, ka par negadījumiem vai apdraudējumu, kas radīts citiem cilvēkiem vai to īpašumam, ir atbildīgs operators vai lietotājs.

Sagatavošanās

1. Lietojot pūtēju, vienmēr uzvelciet piemērotus apavus un garās bikses.
2. Nenēsājiēt brīvi krītošu apģērbu vai rotaslietas, kuras var iesūkt gaisa ieplūdes atverē. Raugieties, lai gari mati nenonāktu gaisa ieplūdes atveru tuvumā.
3. Kad izmantojat mehāniskos darbarīkus, vienmēr valkājiet aizsargbrilles, lai pasargātu acis. Aizsargbrillēm jāatbilst šādiem standartiem: ANSI Z87.1 ASV, EN 166 Eiropā un AS/NZS 1336 Austrālijā/Jaunzēlandē. Austrālijā/Jaunzēlandē ar likumu noteikts, ka darba laikā jāizmanto arī sejsargs.



Darba devējam ir jānodrošina tas, lai darbarīka operatori un citas tiešajā darba vietā esošās personas izmantotu vajadzīgo aizsargaprīkojumu.

4. Lai novērstu putekļu radītu kairinājumu, ieteicams izmantot sejas masku.
5. Strādājot ar ierīci, vienmēr valkājiet neslīdošus aizsargapavus. Pret slīdēšanu nodrošināti aizsargzābaki un aizsargkurpes ar slēgtu purngalu samazinās traumu risku.
6. Izmantojiet individuālos aizsardzības līdzekļus. Vienmēr lietojiet aizsargbrilles. Attiecīgos apstākļos lietojot aizsarglīdzekļus, piemēram, putekļu masku, aizsargapavus ar neslīdošu zoli, aizsargķiveri un ausu aizsargus, mazināsies traumu risks.

Ekspluatācija

1. Tālāk norādītajās situācijās izslēdziet pūtēju, izņemiet akumulatora kasetni un pārliecinieties, vai visas kustīgās daļas ir pilnībā apstājušās.
 - Kad atstājat pūtēju neuzraudzītu.
 - Pirms nosprostojumu tīrīšanas.
 - Pirms pārbaudes, tīrīšanas vai jebkādiem citiem ar pūtēju saistītiem darbiem.
 - Ja pūtējs sāk neparasti vibrēt.
2. Strādājiet ar pūtēju tikai dienas gaismā vai labā mākslīgajā apgaismojumā.
3. Nenoliecieties pārāk tālu un vienmēr saglabājiet līdzsvaru un stabilu pamatu zem kājām.
4. Strādājot nogāzē, raugieties, lai jums būtu stabils kāju atbalsts.
5. Pārvietojieties staigājot, nekad neskrīniet.
6. Raugieties, lai dzesēšanas gaisa ieplūdes atveres nebūtu bloķētas.
7. Aizliegts pūst grūžus blakusstāvētāju virzienā.
8. Izmantojiet pūtēju ieteiktajā pozīcijā un uz drošas virsmas.
9. Neizmantojiet pūtēju augstās vietās.
10. Strādājot ar pūtēju, nekad nevērsiet uzgali pret tuvumā esošiem cilvēkiem.
11. Nenobloķējiet iesūkšanas atveri un/vai pūšanas atveri.
 - Strādājot puteklainā vidē, raugieties, lai putekļi vai netīrumi nenobloķētu iesūkšanas vai pūšanas atveri.
 - Izmantojiet tikai Makita apstiprinātos uzgaļus.
 - Neizmantojiet pūtēju, lai piepūstu

bumbas, gumijas laivas vai līdzīgus priekšmetus.

12. Nestrādājiet ar pūtēju atvērtu logu un līdzīgu vietu tuvumā.
13. Strādājiet ar pūtēju tikai saprātīgā dienas laikā – nedarbiniet to agri no rīta vai vēlu naktī, jo tas var traucēt citiem cilvēkiem.
14. Pirms pūšanas ieteicams ar grābekļiem un slotām uzirdināt netīrumus.
15. Ja pūtējs saņem triecienu no kāda objekta vai ir dzirdama neparasta skaņa, vai jūtama neparasta vibrācija, nekavējoties izslēdziet pūtēju. Pirms atsākat pūtēja lietošanu, izņemiet akumulatora kasetni no pūtēja un pārbaudiet, vai pūtējs nav bojāts. Ja pūtējs ir bojāts, nogādājiet to Makita pilnvarotā servisa centrā, lai veiktu remontu.
16. Neievietojiet pirkstus vai priekšmetus iesūkšanas vai pūšanas atverē.
17. Nepieļaujiet nejašu iedarbināšanu. Pirms ievietojat akumulatora kasetni pūtējā un paceļat vai pārnēsājat pūtēju, pārbaudiet, vai slēdzis ir izslēgšanas pozīcijā. Pūtēja nešana ar pirkstu uz slēdža vai jaudas nodrošināšana, kad pūtēja slēdzis ir ieslēgšanas pozīcijā, palielina negadījumu rašanās risku.
18. Aizliegts pūst bīstamus priekšmetus, piemēram, naglas, stikla lauskas vai asmeņus.
19. Neizmantojiet pūtēju ugunsnedrošu materiālu tuvumā.
20. Centieties ilgstoši neizmantojot pūtēju zemā temperatūrā.

Apkope un glabāšana

1. Lai garantētu drošu pūtēja ekspluatāciju, vienmēr pārbaudiet, vai cieši pieskrūvēti visi uzgriežņi, bultskrūves un skrūves.
2. Ja detaļas ir nolietojušās vai bojātas, nomainiet tās ar Makita apstiprinātām detaļām.
3. Glabājiet pūtēju sausā, bērniem nepieejamā vietā.
4. Kad pārtraucat pūtēja darbību, lai to pārbaudītu, apkoptu, novietotu glabāšanā vai nomainītu kādu tā piederumu, izslēdziet pūtēju, pārliecinieties, ka visas kustīgās detaļas ir pilnībā apstājušās, un izņemiet akumulatora kasetni. Pirms veicat jebkādas darbus ar pūtēju, ļaujiet tam atdzist. Apkopi veiciet rūpīgi un raugieties, lai pūtējs būtu tīrs.
5. Pirms novietošanas glabāšanā vienmēr ļaujiet pūtējam atdzist.
6. Sargiet pūtēju no lietus. Glabājiet pūtēju iekštelpās.
7. Kad ceļat pūtēju, ielieciniet ceļos un uzmanieties, lai nesatraumētu muguru.

Bezvada darbarīka lietošana un apkope

1. Uzlādei izmantojiet tikai ražotāja norādītos lādētājus. Vienam akumulatoru tipam paredzēta uzlādētāja izmantošana cita tipa akumulatoru uzlādei var radīt aizdegšanās bīstamību.
2. Izmantojiet mehānizētos darbarīkus tikai ar paredzētajiem akumulatoriem. Jebkura cita tipa akumulatoru izmantošana var radīt traumu un aizdegšanās bīstamību.

- Kamēr akumulators netiek izmantots, neturiet to blakus metāla priekšmetiem, piemēram, saspraudēm, monētām, atslēgām, naglām, skrūvēm un citiem nelieliem metāla priekšmetiem, kas var savienot izvadus.** Akumulatora spaiļu īssavienojums var izraisīt apdegumus vai aizdegšanos.
- Nepareizas lietošanas gadījumā no akumulatora var iztect šķidrums, nepieskarieties tam.** Ja nejauši pieskārieties šķidrumam, noskalojiet skarto vietu ar ūdeni. Ja šķidrums nokļūst acīs, papildus iepriekš minētajam, vērsieties pie ārsta. No akumulatora iztecejušais šķidrums var izraisīt kairinājumu vai apdegumus.
- Ja akumulatora bloks vai darbarīks ir bojāts vai pārveidots, nelietojiet to.** Bojāti vai pārveidoti akumulatori var darboties nepareizi, izraisot aizdegšanos, sprādzienu vai traumu.
- Akumulatora bloku un darbarīku nepakļaujiet uguns un pārmērīgi augstas temperatūras ietekmei.** Ja akumulatora bloks vai darbarīks tiek pakļauts uguns vai par 130 °C augstākas temperatūras iedarbībai, var notikt sprādziens.
- Izpildiet visus uzlādes norādījumus un neuzlādējiet akumulatora bloku ārpus norādītajos noteiktā temperatūras diapazona.** Nepareiza uzlāde vai temperatūra, kas ir ārpus noteiktā diapazona, var sabojāt akumulatoru un palielināt aizdegšanās draudus.

Elektrodrošība un akumulatora drošība

- Neatbrīvojieties no akumulatora(-iem), to(-s) dzudinot.** Var rasties eksplozija. Skatiet attiecīgos valsts noteikumus, lai uzzinātu īpašus norādījumus izmešanai atkritumos.
- Akumulatoru(-s) nedrīkst atvērt vai sabojāt.** Iztecejušais elektrolīts ir kodīgs un var nodarīt kaitējumu acīm vai ādai. Norijot tas var būt toksisks.
- Nelādējiet akumulatoru lietū vai mitrās vietās.**
- Nelādējiet akumulatoru ārpus telpām.**
- Neaiztieciet lādētāju, kā arī lādētāja spraudni vai spaiļus ar slapjām rokām.**

Apkope

- Uzticiet sava elektriskā darbarīka apkopi kvalificētam remontstrādniekam, izmantojiet tikai identiskas rezerves daļas.** Tas garantēs to, ka elektriskā darbarīka drošības pakāpe nesamazināsies.
- Nekādā gadījumā nelietojiet bojātus akumulatora blokus.** Akumulatora bloka apkopi drīkst veikt tikai to ražotājs vai pilnvaroti apkopes centri.

SAGLABĀJIET ŠOS NORĀDĪJUMUS.

▲BRĪDINĀJUMS: NEPIELĀUJIET to, ka labu iemaņu vai izstrādājuma labas pārzināšanas (darbarīku atkārtoti ekspluatējot) rezultātā vairs stingri neievērojat šī izstrādājuma drošības noteikumus.

NEPAREIZI LIETOJOT darbarīku vai neievērojot šajā instrukciju rokasgrāmatā minētos drošības noteikumus, var tikt gūtas smagas traumas.

Svarīgi drošības norādījumi par akumulatora kasetni

- Pirms akumulatora lietošanas izlasiet visus norādījumus un brīdinājumus, kuri attiecas uz (1) akumulatora lādētāju, (2) akumulatoru un (3) ierīci, kurā tiek izmantots akumulators.**
- Akumulatora kasetni nedrīkst ne pārveidot, ne izjaukt.** Citādi var tikt izraisīta aizdegšanās, pārmērīgs karstums vai sprādziens.
- Ja akumulatora darbības laiks kļuva ievērojami īsāks, nekavējoties pārtrauciet to izmantot.** Citādi, tas var izraisīt pārkarsējumu, uzliesmojumu vai pat sprādzienu.
- Ja elektrolīts nonāk acīs, izskalojiet tās ar tīru ūdens un nekavējoties griezieties pie ārsta.** Tas var izraisīt redzes zaudēšanu.
- Neradiet īssavienojumu akumulatora kasetnē:**
 - Nepieskarieties spaiļiem ar elektrību vadošiem materiāliem.**
 - Neuzglabājiet akumulatoru kasetni kopā ar citiem metāla priekšmetiem, tādiem kā naglas, monētas u. c.**
 - Nepakļaujiet akumulatora kasetni ūdens vai lietus iedarbībai.**

Akumulatora īssavienojums var radīt spēcīgu strāvas plūsmu, pārkarsānu, uzliesmojumu un pat sabojāt akumulatoru.

- Neglabājiet un neizmantojiet darbarīku un akumulatora kasetni vietās, kur temperatūra var sasniegt vai pārsniegt 50 °C (122 °F).**
- Nedeziniet akumulatora kasetni, pat ja tā ir stipri bojāta vai pilnībā nolietota.** Akumulatora kasetne ugunī var eksplodēt.
- Akumulatora kasetni nedrīkst naglot, griezt, saspīest, mest vai nomest, kā arī pa to nedrīkst sist ar cietu priekšmetu.** Šādas darbības var izraisīt aizdegšanos, pārmērīgu karstumu vai sprādzienu.
- Neizmantojiet bojātu akumulatoru.**
- Uz izmantotajiem litiņa jonu akumulatoriem attiecas likumdošanas prasības par bīstamiem izstrādājumiem.** Komerציālā transportēšanā, ko veic, piemēram, trešās puses, transporta uzņēmumi, jāievēro uz iesaiņojuma un marķējuma norādītās īpašās prasības. Lai izstrādājumu sagatavotu nosūtīšanai, jāsažinās ar bīstamo materiālu speciālistu. Ievērojiet arī citus attiecināmos valsts normatīvus. Vajējus kontaktus nosedziet ar līmlenti vai citādi pārklājiet, bet akumulatoru iesaiņojiet tā, lai sainītas nevarētu izkustēties.
- Lai utilizētu akumulatora kasetni, izņemiet to no darbarīka un likvidējiet drošā vietā.** Ievērojiet vietējos noteikumus par akumulatora likvidēšanu.
- Izmantojiet šos akumulatorus tikai ar izstrādājumiem, kurus norādījis Makita.** Ievietojot šos akumulatorus nesaderīgos izstrādājumos, var rasties ugunsgrēks, pārmērīgs karstums, tie var uzsprāgt vai no tiem var iztect elektrolīts.
- Ja darbarīks netiks lietots ilgu laiku, no tā jāizņem akumulators.**

- Lietošanas laikā vai pēc tās akumulatora kasetne var uzkrāt siltumu, kas var izraisīt apdegumus vai zemas temperatūras apdegumus. Ar karstu akumulatora kasetni apejieties rūpīgi.
- Nepieskarieties darbarīka izvadam uzreiz pēc lietošanas, jo tas var būt sakarsis un izraisīt apdegumus.
- Neļaujiet akumulatora kasetnes spailēs, atverēs un rievās uzkrāties skaidām, putekļiem vai nēftrumiem. Tas var izraisīt sasilšanu, aizdegšanos, sprādzienu un instrumenta vai akumulatora kasetnes nepareizu darbību, un lietotājs var gūt apdegumus vai ievainojumus.
- Neizmantojiet akumulatora kasetni augstsprieguma līniju tuvumā, izņemot gadījumus, kad darbarīks ir piemērots lietošanai augstsprieguma līniju tuvumā. Citādi darbarīks vai akumulatora kasetne var sākt darboties nepareizi vai tikt sabojāti.
- Glabājiet akumulatoru bērnēm nepieejamā vietā.

SAGLABĀJIET ŠOS NORĀDĪJUMUS.

⚠UZMANĪBU: Lietojiet tikai oriģinālos Makita akumulatorus. Ja lietojat neoriģinālus Makita akumulatorus vai pārveidotos akumulatorus, tie var uzsprāgt un izraisīt aizdegšanos, traumas un materiālos zaudējumus. Tīks anulēta arī Makita darbarīka un lādētāja garantija.

Ieteikumi akumulatora kalpošanas laika pagarināšanai

- Uzlādējiet akumulatora kasetni, pirms tā ir pilnībā izlādējusies. Vienmēr, kad ievērojat, ka darbarīka darba jauda zudusi, apturiet darbarīku un uzlādējiet akumulatora kasetni.
- Nekad neuzlādējiet pilnībā uzlādētu akumulatora kasetni. Pārmērīga uzlāde saīsina akumulatora kalpošanas laiku.
- Uzlādējiet akumulatora kasetni istabas temperatūrā 10 °C - 40 °C. Karstai akumulatora kasetnei pirms uzlādes ļaujiet atdzist.
- Kad akumulatora kasetne netiek izmantota, izņemiet to no darbarīka vai lādētāja.
- Uzlādējiet litija jonu akumulatora kasetni, ja to ilgstoši nelietosit (vairāk nekā sešus mēnešus).

MONTĀŽA

⚠UZMANĪBU: Pirms darbarīka regulēšanas vai apkopes vienmēr pārliecinieties, ka tas ir izslēgts un akumulatora kasetne ir izņemta.

Priekšējā uzgaļa uzstādīšana

- Atskrūvējiet 2 skrūves ar sešstūru uzgriežņu atslēgu un pilnībā tās izvelciet.
- **Att.1:** 1. Skrūve

- Pārliecinieties, ka Makita logotips uz priekšējā uzgaļa ir vērsts attēlā parādītajā virzienā, un tad piestipriniet priekšējo uzgali darbarīkam.
- **Att.2:** 1. Priekšējais uzgali

- Ar sešstūru uzgriežņu atslēgu cieši pievelciet skrūves.
- **Att.3:** 1. Skrūve

Plakanā uzgaļa vai uzgaļa pagarinājuma uzstādīšana

Papildpiezīdumi

- Pievienojiet adaptera cauruli priekšējam uzgalim un tad pagrieziet to pulksteņrādītāja kustības virzienā, lai nofiksetu.

► **Att.4:** 1. Adaptera caurule 2. Priekšējais uzgali

- Pievienojiet plakano uzgali vai uzgaļa pagarinājumu adaptera caurulei un tad pagrieziet to, lai nofiksetu.

► **Att.5:** 1. Šaurais uzgali 2. Uzgaļa pagarinājums 3. Adaptera caurule

Noteku uzgaļa uzstādīšana

Papildpiezīdumi

Pūtējam var uzstādīt noteku uzgali. Lai varētu uzstādīt noteku uzgali, ir vajadzīga tieši šim modelim izstrādāta adaptera caurule.

Papildinformāciju skatiet noteku uzgaļa komplektā iekļautajā lietošanas rokasgrāmatā.

Ūdens pūšanas uzgaļa uzstādīšana

Papildpiezīdumi

Ūdens pūšanas uzgali var uzstādīt uz pūtēja.

Lai iegūtu sīkāku informāciju, skatiet ūdens pūšanas uzgaļa lietošanas rokasgrāmatu.

Pleca siksnas pievienošana

Papildpiezīdumi

⚠UZMANĪBU: Pārbaudiet, vai pleca siksnas āķi ir stingri piestiprināti pie pūtēja. Ja āķi nav pareizi piestiprināti, tie var atvienoties un izraisīt traumas.

⚠UZMANĪBU: Lietojiet tikai šim darbarīkam paredzēto pleca siksnu. Lietojot citas pleca siksnas, var gūt traumas.

⚠UZMANĪBU: Ja izmantojat darbarīku kopā ar mugursomas tipa pārnēsājamu barošanas avotu, piemēram, pārnēsājamu barošanas bloku, neizmantojiet plecu siksnu, kas iekļauta darbarīka komplektā.

Ja valkājat plecu siksnu, kas iekļauta darbarīka komplektā, reizē ar mugursomas tipa pārnēsājama barošanas avota plecu siksnu, ārkārtas situācijā ir apgrūtināti noņemt darbarīku vai mugursomas tipa pārnēsājamo barošanas avotu un var rasties negadījums vai traumas.

Pievienojiet pleca siksnas āķus darbarīkam, kā redzams attēlā.

► **Att.6:** 1. Āķis

Pleca siksnu var arī pievienot darbarīkam, kā parādīts attēlā, piestiprinot vienu pleca siksnas galu otra plecu siksnas gala sprādzei.

► **Att.7:** 1. Sprādze

FUNKCIJU APRAKSTS

⚠UZMANĪBU: Pirms darbarīka regulēšanas vai tā darbības pārbaudīšanas vienmēr pārliecinieties, ka tas ir izslēgts un akumulatora kasetne ir atvienota.

Akumulatora kasetnes uzstādīšana un izņemšana

⚠UZMANĪBU: Pirms akumulatora kasetnes uzstādīšanas vai izņemšanas vienmēr izslēdziet ierīci.

⚠UZMANĪBU: Uzstādot vai izņemot akumulatora kasetni, cieši satveriet darbarīku un akumulatora kasetni. Ja darbarīks un akumulatora kasetne netiek turēti cieši, tie var izkrist no rokām, šādi radot akumulatora kasetnes bojājumus vai izraisot traumas.

⚠UZMANĪBU: Akumulatora kasetni vienmēr ievietojiet līdz galam, lai nav redzams sarkanas krāsas indikators. Citādi akumulators var nejauši izkrist no ierīces un radīt jums vai apkārtējiem traumas.

⚠UZMANĪBU: Neievietojiet akumulatora kasetni ar spēku. Ja kasetne neslīd ietvarā viegli, tā nav pareizi ielikta.

► **Att.8:** 1. Sarkanas krāsas indikators 2. Poga 3. Akumulatora kasetne

Lai izņemtu akumulatora kasetni, virziet to prom no ierīces, vienlaikus bīdot pogu kasetnes priekšpusē.

Lai uzstādītu akumulatora kasetni, salāgojiet mēlīti uz akumulatora kasetnes ar rievu ietvarā un iebīdi to vietā. Ievietojiet to līdz galam, līdz tā ar klikšķi nofiksējas. Ja pogas augšējā daļā redzams sarkanas krāsas indikators, tas nozīmē, ka tā nav pilnīgi fiksēta.

Atlikušās akumulatora jaudas indikators

Tikai akumulatora kasetnēm ar indikatoru

Nospiediet akumulatora kasetnes pārbaudes pogu, lai pārbaudītu akumulatora atlikušo uzlādes līmeni. Indikatori iedegsies uz dažām sekundēm.

► **Att.9:** 1. Indikatora lampas 2. Pārbaudes poga

Indikatora lampas			Atlikusī jauda
lededzies	izslēgts	Mirgo	
			No 75% līdz 100%
			No 50% līdz 75%

Indikatora lampas			Atlikusī jauda
lededzies	izslēgts	Mirgo	
			No 25% līdz 50%
			No 0% līdz 25%
			Uzlādējiet akumulatoru.
			Iespējama akumulatora kļūme.

PIEZĪME: Reālā jauda var nedaudz atšķirties no norādītās atkarībā no lietošanas apstākļiem un apkārtējās temperatūras.

PIEZĪME: Akumulatora aizsardzības sistēmas darbības laikā mirgo pirmais (kreisais malējais) indikators.

Darbarīka/akumulatora aizsardzības sistēma

Ierīce ir aprīkota ar ierīces/akumulatora aizsardzības sistēmu. Šī sistēma automātiski izslēdz motora barošanu, tādējādi pagarinot ierīces un akumulatora darbību. Lietošanas laikā darbarīks automātiski pārstās darboties, ja darbarīku vai akumulatoru pakļaus kādam no tālāk minētajiem apstākļiem.

Aizsardzība pret pārslodzi

Ja darbarīku/akumulatoru lieto tā, ka tas patērē pārmērīgi lielu strāvas daudzumu, darbarīks automātiski pārstāj darboties bez iepriekšēja brīdinājuma. Šādā gadījumā izslēdziet darbarīku un pārtrauciet darbību, kas izraisa pārslodzi. Pēc tam ieslēdziet darbarīku, lai atsāktu darbu.

Aizsardzība pret pārkaršanu

Ja darbarīks vai akumulators ir pārkaris, darbarīks automātiski pārstāj darboties. Šādā gadījumā ļaujiet darbarīkam un akumulatoram atdzist un tikai pēc tam atkal ieslēdziet darbarīku.

Aizsardzība pret akumulatora pārmērīgu izlādi

Ja atlikusī akumulatora jauda ir nepietiekama, darbarīks automātiski pārstāj darboties. Šādā gadījumā izņemiet akumulatoru no darbarīka un uzlādējiet to.

Slēdža darbība

⚠BRĪDINĀJUMS: Pirms akumulatora kasetnes uzstādīšanas vienmēr pārbaudiet, vai slēdža mēlīte darbojas pareizi un pēc atlaišanas atgriežas pozīcijā OFF (izslēgts).

► **Att.10:** 1. Slēdža mēlīte

Lai darbinātu darbarīku, vienkārši nospiediet slēdža mēlīti. Darbības ātrums palielinās, stiprāk nospiežot

slēdža mēlīti. Lai apturētu darbarīku, atlai­diet slēdža mēlīti.

Ātrumtūres funkcija

Ātrumtūres funkcija ļauj operatoram uzturēt nemainīgu motora apgriezīnu skaitu, nespiežot mēlīti. Lai palielinātu motora apgriezīnu skaitu, pagrieziet vadības sviru uz priekšu. Lai mazinātu motora apgriezīnu skaitu, pagrieziet vadības sviru atpakaļ.

► **Att.11:** 1. Vadības svira

Nejaušas atkārtotas ieslēgšanas nepieļaušanas funkcija

Ja slēdža mēlīte ir nospiesta, kad ievietojat akumulatora kasetni, darbarīks nesāks darboties. Lai iedarbinātu darbarīku, vispirms atlai­diet slēdža mēlīti, pagrieziet vadības sviru sākuma pozīcijā un tad atkal nospiediet slēdža mēlīti.

EKSPLUATĀCIJA

⚠UZMANĪBU: Ja darbarīks ir ieslēgts, nelieciet to uz zemes. Smiltis vai putekļi var iekļūt darbarīkā caur iesūkšanas atveri un izraisīt kļūdainu darbību vai traumas.

Ar vienu roku cieši turot darbarīku, sāciet pūšanu un lēnām virziet pūtēju apļveida kustībā. Ja veicat pūšanu pie mājas, liela akmens vai transportlīdzekļa, vērsiet uzmanību prom no šiem objektiem. Lietojot darbarīku stūrī, sāciet no paša stūra un pārvietojieties uz ārpusi.

► **Att.12**

APKOPE

⚠UZMANĪBU: Pirms darbarīka pārbaudes vai apkopes vienmēr pārliecinieties, ka tas ir izslēgts un akumulatora kasetne ir izņemta.

Lai saglabātu izstrādājuma DROŠU un UZTICAMU darbību, remontdarbus, apkopi un regulēšanu uzticiet veikt tikai Makita pilnvarotam vai rūpnīcas apkopes centram, un vienmēr izmantojiet tikai Makita rezerves daļas.

Darbarīka tīrīšana

Tīriet darbarīku, noslaukot putekļus ar sausu drānu vai drānu, kas samērcēta ziepjūdenī un tad izgriezta.

► **Att.13**

⚠IEVĒRĪBAI: Nekad neizmantojiet gāzoliņu, benzīnu, atšķaidītāju, spirtu vai līdzīgus šķidrumus. Tas var radīt izbalēšanu, deformāciju vai plaisas.

Notīriet putekļus un netīrumus no iesūkšanas atveres darbarīka aizmugurē.

► **Att.14:** 1. Iesūkšanas atvere

Glabāšana

Āķa caurums darbarīka apakšējā daļā ir piemērots darbarīka pakāršanai pie sienas uz naglas vai skrūves. Glabājiet darbarīku bērnēm nepieejamā un sausā vietā.

► **Att.15:** 1. Atvere

PROBLĒMU NOVĒRŠANA

Pirms vienošanās par remontu vispirms veiciet savu pārbaudi. Ja konstatējat problēmu, kas rokasgrāmatā nav aprakstīta, nemēģiniet izjaukt darbarīku. Tā vietā nododiet darbarīku Makita pilnvarotā apkopes centrā, kur vienmēr tiek izmantotas oriģinālās Makita rezerves daļas.

Neatbilstošas darbības stāvoklis	Iespējamais iemesls (kļūme)	Risinājums
Motors nedarbojas.	Nav ievietota akumulatora kasetne.	Ievietojiet akumulatora kasetni.
	Akumulatora kļūme (zems spriegums)	Uzlādējiet akumulatoru. Ja uzlāde neizdodas, nomainiet akumulatoru.
	Piedziņas sistēma nedarbojas pareizi.	Dodieties to remontēt vietējā pilnvarotā apkopes centrā.
Motors izslēdzas pēc neilgas darbināšanas.	Akumulatora uzlādes līmenis ir par zemu.	Uzlādējiet akumulatoru. Ja uzlāde neizdodas, nomainiet akumulatoru.
	Darbarīks pārkaršis.	Pārtrauciet mašīnas lietošanu, lai tas atdzistu.
Darbarīks nespēj sasniegt maksimālo darbības ātrumu.	Nepareizi ievietota akumulatora kasetne.	Uzstādiet akumulatora kasetni, kā aprakstīts šajā rokasgrāmatā.
	Samazinās akumulatora jauda.	Uzlādējiet akumulatoru. Ja uzlāde neizdodas, nomainiet akumulatoru.
	Piedziņas sistēma nedarbojas pareizi.	Dodieties to remontēt vietējā pilnvarotā apkopes centrā.
Pārmērīga vibrācija: ⇒ nekavējoties apturiet mašīnu!	Piedziņas sistēma nedarbojas pareizi.	Dodieties to remontēt vietējā pilnvarotā apkopes centrā.

Neatbilstošas darbības stāvoklis	Iespējamais iemesls (kļūme)	Risinājums
Motoru nevar apstādināt: ⇒ nekavējoties izņemiet akumulatoru!	Elektriska vai elektroniska kļūme.	Izņemiet akumulatoru un sazinieties ar vietējo pilnvaroto apkopes centru, lai vienotos par remontu.

PAPILDU PIEDERUMI

⚠UZMANĪBU: Šos piederumus vai papildierīces ir ieteicams lietot kopā ar šajā rokasgrāmatā aprakstīto Makita izstrādājumu. Izmantojot citus piederumus vai papildierīces, var izraisīt traumas. Piederumu vai palīgierīci izmantojiet tikai paredzētajam nolūkam.

Ja jums vajadzīga palīdzība vai precizāka informācija par šiem piederumiem, vērsieties savā tuvākajā Makita apkopes centrā.

- Adaptera caurule
- Uzgaļa pagarinājums
- Šaurais uzgalis
- Noteku uzgalis
- Ūdens pūšanas uzgalis
- Pleca sikсна
- Makita oriģinālais akumulators un lādētājs

PIEZĪME: Daži sarakstā norādītie izstrādājumi var būt iekļauti izstrādājuma komplektācijā kā standarta piederumi. Tie dažādās valstīs var būt atšķirīgi.

SPECIFIKACIJOS

Modelis:		DUB184
Pajėgumai	Oro srautas	0–13,0 m ³ /min
	Oro greitis (vidutinis)	0–43,2 m/s
	Oro greitis (maks.)	0–52,1 m/s
Bendrasis ilgis (su priekiniu antgaliu)		825 mm
Vardinė įtampa		Nuol. sr. 18 V
Grynavis svoris		2,5–3,0 kg

- Atliekame tęsinius tyrimus ir nuolatos tobuliname savo gaminius, todėl čia pateikiamos specifikacijos gali būti keičiamos be įspėjimo.
- Skirtingose šalyse specifikacijos gali skirtis.
- Svoris gali priklausyti nuo priedo (-ų), įskaitant akumulatoriaus kasetę. Lengviausias ir sunkiausias deriniai pagal EPTA 2014 m. sausio mėn. procedūrą yra parodyti lentelėje.

Tinkama akumulatoriaus kasetė ir (arba) įkroviklis

Akumulatoriaus kasetė	BL1815N / BL1820B / BL1830B / BL1840B / BL1850B / BL1860B
Įkroviklis	DC18RC / DC18RD / DC18RE / DC18SD / DC18SE / DC18SF / DC18SH / DC18WC

- Atsižvelgiant į gyvenamosios vietos regioną, kai kurios pirmiau nurodytos akumulatoriaus kasetės ir įkrovikliai gali būti neprieinami.

ĮSPĖJIMAS: Naudokite tik akumulatoriaus kasetes ir įkroviklius, kurie nurodyti anksčiau. Naudojant bet kurias kitas akumulatoriaus kasetes ir įkroviklius, gali kilti sužeidimo ir gaisro pavojus.

Rekomenduojamas laidu prijungiamas maitinimo šaltinis

Nešiojamasis maitinimo šaltinis	PDC01
---------------------------------	-------

- Atsižvelgiant į gyvenamosios vietos regioną, pirmiau nurodytas (-i) laidu prijungiamas (-i) maitinimo šaltinis (-iai) gali būti neprieinamas (-i).
- Prieš naudodami laidu prijungiamą maitinimo šaltinį, perskaitykite instrukciją ir ant jų pateiktus perspėjimus.

Simboliai

Toliau yra nurodyti simboliai, kurie gali būti naudojami įrangai. Prieš naudodami įsitinkite, kad suprantate jų reikšmę.

	Būkite itin atsargūs ir dėmesingi.
	Perskaitykite instrukcijų vadovą.
	Laikykite rankas toliau nuo sukamųjų dalių.
	Ilgai plaukai gali įsipainioti.
	Neleiskite pašaliniais asmenimis artintis prie įrenginio.
	Naudokite akių ir ausų apsaugines priemones.
	Saugokite nuo drėgmės.



Ni-MH
Li-ion

Taikoma tik ES šalims

Kadangi įrangoje yra pavojingų komponentų, panaudota elektrinė ir elektroninė įranga, akumulatoriai ir baterijos gali turėti neigiamo poveikio aplinkai ir žmonių sveikatai.

Nešalinkite elektros ir elektroninių prietaisų ar baterijų kartu su buitėmis atliekomis! Pagal Europos direktyvą dėl elektros ir elektroninės įrangos atliekų bei akumuliatorių ir baterijų ir panaudotų akumuliatorių ir baterijų bei jos pritaikymą nacionaliniams įstatymams, panaudota elektros ir elektroninė įranga, baterijos ir akumulatoriai turi būti surenkami atskirai ir pristatomi į atskirą buitinių atliekų surinkimo punktą, kuris veikia pagal aplinkos apsaugos taisykles. Tai rodo perbrauktas konteinerio ant ratukų simbolis, pateiktas ant įrangos.



Garantuojamas garso galios lygis pagal ES lauko triukšmo direktyvą.



Garso galios lygis pagal Australijos NSW triukšmo kontrolės reglamentą

Numatytoji naudojimo paskirtis

Šis įrenginys skirtas dulkėms išpūsti.

Triukšmas

Įprastas triukšmo A lygis, nustatytas pagal EN50636-2-100:

Garso slėgio lygis (L_{pA}): 86,6 dB (A)

Paklaida (K): 1,4 dB (A)

Garso galios lygis (L_{WA}): 93,5 dB (A)

Paklaida (K): 2,7 dB (A)

PASTABA: Paskelbta (-os) triukšmo reikšmė (-ės) nustatyta (-os) pagal standartinį testavimo metodą ir jį galima naudoti vienam įrankiui palyginti su kitu.

PASTABA: Paskelbta (-os) triukšmo reikšmė (-ės) taip pat gali būti naudojama (-os) norint preliminariai įvertinti triukšmo poveikį.

⚠️ ĮSPĖJIMAS: Dėvėkite ausų apsaugą.

⚠️ ĮSPĖJIMAS: Faktiškai naudojant elektrinį įrankį, keliamo triukšmo dydis gali skirtis nuo paskelbtos (-ų) reikšmės (-ių), priklausomai nuo būdų, kuriais yra naudojamas šis įrankis, ir ypač nuo to, kokio tipo ruošinys apdirbamas.

⚠️ ĮSPĖJIMAS: Siekdami apsaugoti operatorių, būtinai įvertinkite saugos priemones, remdamiesi vibracijos poveikio įvertinimu esant faktinėms naudojimo sąlygoms (atsižvelgdami į visas darbo ciklo dalis, pavyzdžiui, ne tik kiek laiko įrankis veikia, bet ir kiek kartų jis yra išjungiamas bei kai jis veikia be apkrovų).

Vibracija

Vibracijos bendroji vertė (triašio vektorius suma)

nustatyta pagal EN50636-2-100 standartą:

Darbo režimas: veikimas be apkrovos

Vibracijos emisija (a_{hv}): 2,5 m/s² arba mažiau

Paklaida (K): 1,5 m/s²

PASTABA: Paskelbta (-os) vibracijos bendroji (-osios) reikšmė (-ės) nustatyta (-os) pagal standartinį testavimo metodą ir jį galima naudoti vienam įrankiui palyginti su kitu.

PASTABA: Paskelbta (-os) vibracijos bendroji (-osios) reikšmė (-ės) taip pat gali būti naudojama (-os) norint preliminariai įvertinti vibracijos poveikį.

⚠️ ĮSPĖJIMAS: Faktiškai naudojant elektrinį įrankį, keliamos vibracijos dydis gali skirtis nuo paskelbtos (-ų) reikšmės (-ių), priklausomai nuo būdų, kuriais yra naudojamas šis įrankis, ir ypač nuo to, kokio tipo ruošinys apdirbamas.

⚠️ ĮSPĖJIMAS: Siekdami apsaugoti operatorių, būtinai įvertinkite saugos priemones, remdamiesi vibracijos poveikio įvertinimu esant faktinėms naudojimo sąlygoms (atsižvelgdami į visas darbo ciklo dalis, pavyzdžiui, ne tik kiek laiko įrankis veikia, bet ir kiek kartų jis yra išjungiamas bei kai jis veikia be apkrovų).

Atitikties deklaracijos

Tik Europos šalims

Atitikties deklaracijos įtrauktos į šios naudojimo instrukcijos A priedą.

SAUGOS ĮSPĖJIMAI

Saugos instrukcijos dėl akumulatorinio pūstuvo

⚠️ ĮSPĖJIMAS: Perskaitykite visus saugos įspėjimus ir visą instrukciją. Nesilaikydami toliau pateiktų įspėjimų ir instrukcijų galite patirti elektros smūgį, gaisrą ir (arba) sunkių sužeidimų.

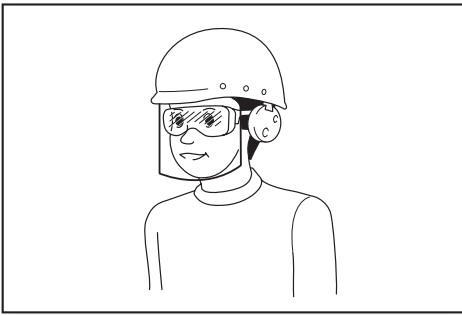
Išsaugokite visus įspėjimus ir instrukcijas, kad galėtumėte jas peržiūrėti ateityje.

Mokymas

1. Atidžiai perskaitykite šią instrukciją. Susipažinkite su valdikliais ir kaip tinkamai naudoti pūstuvą.
2. Niekada neleiskite, kad pūstuvą naudotų asmenys (įskaitant vaikus) su fizine, jutimine ar psichine negalia arba stokojantys patirties ir žinių, ar kurie nėra perskaitę šios instrukcijos, kaip naudoti pūstuvą. Pagal vietinius įstatymus operatoriaus amžius gali būti ribojamas.
3. Niekuomet nenaudokite pūstuvo, jei netoliese yra žmonių, ypač vaikų ar naminių gyvūnų.
4. Prisiminkite, kad operatorius yra atsakingas už nelaimingus atsitikimus ar pavojus, kilusius kitiems žmonėms, arba jų turtui padarytą žalą.

Pasiruošimas

1. Naudodami pūstuvą, visuomet avėkite tinkamą avalynę ir mūvėkite ilgas kelnes.
2. Nedėvėkite laisvų drabužių ar papuošalų, kuriuos galėtų įtraukti oro įtraukimo anga. Saugokitės, kad oro įtraukimo anga neįtrauktų ilgų plaukų.
3. Visada naudodami elektrinius įrankius užsidėkite apsauginius akinius, kad apsaugotumėte savo akis nuo sužalojimų. Akiniai turi atitikti ANSI Z87.1 reikalavimus JAV, EN 166 reikalavimus Europoje arba AS/NZS 1336 reikalavimus Australijoje / Naujojoje Zelandijoje. Australijoje / Naujojoje Zelandijoje taip pat teisiškai privaloma naudoti veido skydelį.



Darbdavys privalo užtikrinti, kad įrankio operatoriai ir kiti šalia jo darbo vietos esantys asmenys naudotų tinkamas apsaugos priemones.

4. Rekomenduojama dėvėti veido kaukę, kad dulkės nedirgintų odos.
5. Naudodami šią mašiną, visada avėkite neslidžią apsauginę avalynę. Neslidūs uždari batai sumažins pavojų susižaloti.
6. Naudokite asmenines saugos priemones. Visada naudokite akių apsaugos priemones. Apsauginės priemonės, pavyzdžiui, respiratorius, apsauginiai batai neslidžiais padais, šalmas ar ausų apsaugos, naudojamos atitinkamomis sąlygomis, sumažina susižeidimo pavojų.

Naudojimas

1. Išjunkite pūstuvą ir išimkite akumuliatoriaus kasetę. Įsitinkinkite, kad visos judamosios dalys visiškai sustojo.
 - bet kada baigę naudoti pūstuvą.
 - prieš pašalindami užstrigusias medžiagas.
 - prieš atlikdami pūstuvo patikrą, valymą ir prieš pradėdami darbą.
 - jeigu pūstuvą pradeda neįprastai vibruoti.
2. Pūstuvą naudokite tik dienos metu arba esant geram dirbtiniam apšvietimui.
3. Nesistenkite pasiekti toliau, nei galite, visuomet išlaikykite pusiausvyrą ir tvirtai remkitės kojomis.
4. Dirbdami nuokalnėse, visada tvirtai stovėkite ant žemės.
5. Vaikščiokite, nebėgiokite.
6. Pasirūpinkite, kad visose vėsinimo oro įtraukimo angose nebūtų šiukšlių.
7. Niekada nepūskite šiukšlių netoli stovinčių asmenų kryptimi.
8. Pūstuvą naudokite rekomenduojamoje padėtyje ir stovėdami ant tvirto paviršiaus.
9. Nenaudokite pūstuvo stovėdami aukštai.
10. Naudodami pūstuvą, joku būdu nenukreipkite antgalio į netoliese esančius žmones.
11. Jokiū būdu neuždenkite įtraukimo angos ir (arba) pūstuvo išleidimo angos.
 - Kai dirbate dulkėtoje vietoje, būkite atsargūs, kad neužkimštumėte įsiurbimo angos dulkėmis arba nešvarumais.
 - Naudokite tik „Makita“ pateiktus antgalius.

- Nenaudokite pūstuvo kamuoliams, guminiams valtimis ir kitiems panašiams daiktams pripūsti.

12. Nenaudokite pūstuvo prie atidaryto lango ir pan.
13. Pūstuvą rekomenduojama naudoti ne anksti ryte ir ne vėlai vakare, kai galite trukdyti kitiems žmonėms.
14. Prieš pradėdami pūsti, rekomenduojama grėbliu ar šluota atlaisvinti prikibusias šiukšles.
15. Pūstuvui atsitrenkus į pašalinius daiktus, iš jo pradėjus sklisti neįprastam triukšmui arba jam pradėjus vibruoti, nedelsdami išjunkite pūstuvą, kad sustotų. Išimkite akumuliatoriaus kasetę iš pūstuvo ir, prieš paleisdami jį iš naujo ir vėl naudodami, patikrinkite, ar nėra pažeistas. Jei pūstuvą yra pažeistas, dėl remonto kreipkitės į „Makita“ įgaliotuosius techninės priežiūros centrus.
16. Nekiškite pirštų ar kokių nors kitų daiktų į įtraukimo angą arba pūstuvo išleidimo angą.
17. Pasirūpinkite, kad netyčia neįjungtumėte įrankio. Prieš įkišdami akumuliatoriaus kasetę, paimdami ar nešdami pūstuvą, visuomet patikrinkite, ar išjungtas jo jungiklis. Nešant pūstuvą uždėjus pirštą ant jo jungiklio arba įjungiant pūstuvą į elektros tinklą, kai jo jungiklis yra įjungtas, gali įvykti nelaimingas atsitikimas.
18. Niekada nepūskite pavojingų medžiagų, pvz., vinių, stiklo duženų arba asmenų.
19. Nenaudokite pūstuvo būdami netoli degių medžiagų.
20. Nenaudokite pūstuvo ilgą laiką žemos temperatūros aplinkoje.

Techninė priežiūra ir saugojimas

1. Visos varžlės, varžtai ir sraigčiai turi būti tvirtai prisukti, kad būtų užtikrintos saugios pūstuvo darbo sąlygos.
2. Nusidėvėjusias arba pažeistas dalis pakeiskite „Makita“ pateiktomis dalimis.
3. Pūstuvą laikykite sausoje, vaikams nepasiekiamoje vietoje.
4. Norėdami sustabdyti pūstuvą, kad galėtumėte jį patikrinti, atlikti techninę priežiūrą, padėti sandėliuoti arba pakeisti priedą, išjunkite pūstuvą ir įsitinkinkite, kad visos judamosios dalys visiškai sustojo, ir išimkite akumuliatoriaus kasetę. Prieš atlikdami kokius nors veiksmus su pūstuvu, palaukite, kol jis atvės. Rūpestingai prižiūrėkite pūstuvą ir rūpinkitės jo švara.
5. Prieš padėdami sandėliuoti, visada palaukite, kol pūstuvą atvės.
6. Nelaikykite pūstuvo lietuje. Pūstuvą laikykite patalpoje.
7. Kai pūstuvą keliate, sulenkite kelius ir kelkite atsargiai, kad nesusižalotumėte nugaros.

Akumuliatorinio įrankio naudojimas ir priežiūra

1. Įkraukite naudodami tik gamintojo nurodytą įkroviklį. Įkroviklis, kuris tinka vienam akumuliatorių tipui įkrauti, gali kelti gaisro pavojų, jei bus naudojamas su kitų tipų akumuliatoriais.

- Elektrinius įrankius naudokite tik su specialiai jiems skirtais akumulatoriais. Naudojant bet kurį kitą akumuliatorių gali kilti sužeidimo ir gaisro pavojus.
- Kai akumulatorius nėra naudojamas, laikykite jį toliau nuo kitų metalinių daiktų, pavyzdžiui, popieriaus sąvaržėlių, monetų, raktų, vinių, varžtų ir kitų mažų metalinių daiktų, dėl kurių gali kilti trumpasis jungimas tarp kontaktų. Akumuliatorių kontaktų trumpasis jungimas gali būti nudegimų arba gaisro priežastimi.
- Netinkamai naudojant iš akumulatoriaus gali ištekėti skysčio. Venkite sąlyčio su juo. Jei sąlytis atsitiktinai įvyko, gausiai nuplaukite vandeniu. Jei skysčio pateko į akis, kreipkitės į gydytoją. Iš akumulatoriaus išbėgęs skystis gali sudirginti arba nudeginti odą.
- Nenaudokite sugadinto ar modifikuoto akumulatoriaus arba įrankio. Sugadinti arba modifikuoti akumulatoriai gali veikti neįprastai, todėl gali kilti gaisras, sprogimas arba sužalojimo rizika.
- Saugokite akumuliatorių arba įrankį nuo ugnies ar pernelyg aukštos temperatūros. Dėl ugnies ar 130 °C viršijančios temperatūros gali kilti sprogimas.
- Laikykites visų įkrovimo nurodymų ir nekraukite akumulatoriaus ar įrankio, kai temperatūra neatitinka nurodymuose pateikto temperatūros intervalo. Netinkamai įkraunant arba įkraunant esant kitam nei nustatytas temperatūros intervalui, gali būti sugadintas akumulatorius ar padidėti gaisro rizika.

Elektros ir akumulatoriaus sauga

- Nemeskite akumulatoriaus (-ių) į ugnį. Akumulatoriaus elementas gali sprogti. Pasitikrinkite, ar vietiniai įstatymai nenurodo specialaus išmetimo būdo.
- Neatidarykite ir neardykite akumulatoriaus (-ių). Ištekėjęs elektrolitas yra šdinsančioji medžiaga, kuri gali pažeisti akis ar odą. Nurytas jis gali apnuodyti.
- Nenaudokite akumulatoriaus lyjant arba drėgnose vietose.
- Nekraukite akumulatoriaus lauke.
- Neimkite įkroviklio, įskaitant įkroviklio kištuką ir gnybtus, drėgnomis rankomis.

Techninė priežiūra

- Tegu jūsų elektrinio įrankio techninę priežiūrą atlieka kvalifikuotas remonto meistras, naudodamas tik identiškas atsargines dalis. Tai užtikrina, kad elektrinis įrankis liks saugus naudoti.
- Niekada neatlikite pažeistų akumuliatorių techninės priežiūros. Akumuliatorių techninę priežiūrą turi atlikti tik gamintojas arba įgaliotieji techninės priežiūros paslaugų teikėjai.

SAUGOKITE ŠIAS INSTRUKCIJAS.

ĮSPĖJIMAS: NELEISKITE, kad patogumas ir gaminio pažinimas (įgyjamas pakartotinai naudojant) susilpnintų griežtą saugos taisyklių, taikytinų šiam gaminiui, laikymąsi.

Dėl NETINKAMO NAUDOJIMO arba saugos taisyklių, kurios pateiktos šioje instrukcijoje, nesilaikymo galima rimtai susižeisti.

Svarbios saugos instrukcijos, taikomos akumulatoriaus kasetei

- Prieš naudodami akumulatoriaus kasetę, perskaitykite visas instrukcijas ir perspėjimus ant (1) akumuliatorių įkroviklio, (2) akumuliatorių ir (3) akumuliatorių naudojančio gaminio.
- Neardykite ir negadinkite akumulatoriaus kasetės. Dėl to ji gali užsidegti, per daug įkaisti arba sprogti.
- Jei įrankio darbo laikas žymiai sutrumpėjo, nedelsdami nutraukite darbą su įrankiu. Tai gali kelti perkaitimo, nudegimų ar net sprogmio pavojų.
- Jei elektrolitas pateko į akis, plaukite jas tyru vandeniu ir nedelsdami kreipkitės į gydytoją. Gali kilti regėjimo praradimo pavojus.
- Neužtrumpinkite akumulatoriaus kasetės:
 - Nelieskite kontaktų degiomis medžiagomis.
 - Venkite laikyti akumulatoriaus kasetę kartu su kitais metaliniais daiktais, pavyzdžiui, vinimis, monetomis ir pan.
 - Saugokite akumulatoriaus kasetę nuo vandens ir lietaus.
 Trumpasis jungimas akumulatoriuje gali sukelti stiprią srovę, perkaitimą, galimus nudegimus ar net akumulatoriaus gedimą.
- Nelaikykite ir nenaudokite įrankio ir akumulatoriaus kasetės vietose, kur temperatūra gali pasiekti ar viršyti 50 °C (122 °F).
- Nedeginkite akumulatoriaus kasetės, net jei yra stipriai pažeista ar visiškai susidėvėjusi. Ugnyje akumulatoriaus kasetė gali sprogti.
- Akumulatoriaus kasetės nekalkite, nepjaustykite ir nemėtykite ir taip pat į ją netrankykite kietu daiktu. Taip elgiantis, ji gali užsidegti, per daug įkaisti arba sprogti.
- Nenaudokite pažeisto akumulatoriaus.
- Įdėtos ličio jonų akumuliatoriams taikomi Pavojingų prekių teisės akto reikalavimai. Komeracinis transportas, pvz., trečiųjų šalių, prekių vežimo atstovų, turi laikytis specialaus reikalavimo ant pakuotės ir ženklavimo. Norėdami paruošti siųstiną prekę, pasitarkite su pavojingų medžiagų specialistu. Be to, laikykites galimai išsamesnių nacionalinių reglamentų. Užklijuokite juosta arba padenkite atvirus kontaktus ir supakuokite akumuliatorių taip, kad ji pakuotėje nejudėtų.
- Kai išmetate akumulatoriaus kasetę, išimkite ją iš įrankio ir išmeskite saugioje vietoje. Vadovaukitės vietos reglamentais dėl akumuliatorių išmetimo.
- Baterijas naudokite tik su „Makita“ nurodytais

gaminiais. Baterijas įdėjus į netinkamus gaminius gali kilti gaisras, gaminys pernelyg kaisti, kilti sproginimas arba pratekėti elektrolitas.

13. Jei įrankis bus ilgą laiką nenaudojamas, akumuliatorių būtina išimti iš įrankio.
14. Darbo metu ir po akumuliatoriaus kasetė gali būti įkaitusi ir dėl to nudeginti. Imdami akumuliatoriaus kasetes, būkite atsargūs.
15. Tuojau pat po naudojimo nelieskite įrankio gnybtų, nes jie gali būti įkaitę tiek, kad nudegins.
16. Neleiskite, kad į akumuliatoriaus kasetės gnybtus, angas ir griovelius patektų drožlių, dulkių ar žemių. Jos gali sukelti kaitimą, užsidegti, sprogti ir sukelti įrankio ar akumuliatoriaus kasetės gedimą, dėl ko galima nusidenginti ar susižaloti.
17. Jeigu įrankis nėra pritaikytas naudoti šalia aukštos įtampos elektros linijų, akumuliatoriaus kasetės nenaudokite šalia aukštos įtampos elektros linijų. Dėl to gali sutrikti įrankio ar akumuliatoriaus kasetės veikimas arba jie gali sugesti.
18. Laikykite akumuliatorių vaikams nepasiekiamoje vietoje.

SAUGOKITE ŠIAS INSTRUKCIJAS.

▲ PERSPĖJIMAS: Naudokite tik originalų „Makita“ akumuliatorių. Neoriginalaus „Makita“ arba pakeisto akumuliatoriaus naudojimas gali nulėmti gaisrą, asmens sužalojimą ir pažeidimą. Tai taip pat panaikina „Makita“ suteikiamą „Makita“ įrankio ir įkroviklio garantiją.

Patarimai, ką daryti, kad akumuliatorius veiktų kuo ilgiau

1. Pakraukite akumuliatoriaus kasetę prieš jai visiškai išsikraunant. Visuomet nustokite naudoti įrankį ir pakraukite akumuliatoriaus kasetę, kai pastebite, kad įrankio galia sumažėjo.
2. Niekada nekraukite iki galo įkrautos akumuliatoriaus kasetės. Perkraunant trumpėja akumuliatoriaus eksploatacijos laikas.
3. Akumuliatoriaus kasetę kraukite esant kambario temperatūrai 10 - 40 °C. Prieš pradėdami krauti, leiskite įkaitusiai akumuliatoriaus kasetei atvėsti.
4. Kai akumuliatoriaus kasetės nenaudojate, ją išimkite iš įrankio ar įkroviklio.
5. Įkraukite akumuliatoriaus kasetę, jei jos nenaudojate ilgą laiką (ilgiau nei šešis mėnesius).

SURINKIMAS

▲ PERSPĖJIMAS: Prieš atlikdami bet kokius darbus prie įrenginio, visada patikrinkite, ar įrenginys išjungtas, o akumuliatoriaus kasetė – išimta.

Priekinio atgalio montavimas

1. Šešiabriauniu raktu atsukite 2 varžtus ir juos ištraukite.

► **Pav.1:** 1. Varžtas

2. Įsitikinkite, kad „Makita“ logotipas ant priekinio atgalio yra nukreiptas paveikslėlyje parodyta kryptimi, tada pritvirtinkite atgalį prie įrenginio.

► **Pav.2:** 1. Priekinis atgalis

3. Šešiakampi raktu priveržkite varžtus.

► **Pav.3:** 1. Varžtas

Plokščiojo arba ilginamojo atgalio montavimas

Pasirenkamasis priedas

1. Pritvirtinkite adapterio vamzdį prie priekinio atgalio ir sukite pagal laikrodžio rodyklę, kad užsifiksuotų.

► **Pav.4:** 1. Adapterio vamzdis 2. Priekinis atgalis

2. Pritvirtinkite plokščiąjį arba ilginamąjį atgalį prie adapterio vamzdžio ir sukite, kad užsifiksuotų.

► **Pav.5:** 1. Plokščiasis atgalis 2. Ilginamasis atgalis 3. Adapterio vamzdis

Tarpelių valymo atgalio montavimas

Pasirenkamasis priedas

Tarpelių valymo atgalį galima sumontuoti ant pūstuvo. Ant tarpelių valymo atgalio reikia pritvirtinti adapterio vamzdį, skirtą naudoti tik šiam modeliui. Išsamiau žr. su tarpelių valymo atgaliumi pateiktoje naudojimo instrukcijoje.

Vandens pūtimo atgalio įrengimas

Pasirenkamasis priedas

Ant pūstuvo galima įrengti vandens pūtimo atgalį. Išsamiau skaitykite su vandens pūtimo atgaliumi pateiktoje naudojimo instrukcijoje.

Perpetės diržo tvirtinimas

Pasirenkamasis priedas

▲ PERSPĖJIMAS: Perpetės diržo kablius būtina patikimai prikabininkite prie įrenginio. Nevisiškai prikabininti kabliai gali atsikabinti, todėl galite susižeisti.

▲ PERSPĖJIMAS: Būtinai naudokite šiam įrankiui skirtą perpetės diržą. Naudojant kitą perpetės diržą galima susižeisti.

▲ PERSPĖJIMAS: Kai įrenginį naudojate kartu su ant nugaros nešiojamu maitinimo šaltiniu, pavyzdžiui, nešiojamuoju maitinimo šaltiniu, nenaudokite perpetės diržo iš įrenginio pakuotės.

Jeigu tuo pačiu metu užsidėsite perpetės diržą iš įrenginio pakuotės ir ant nugaros nešiojamo maitinimo šaltinio perpetės diržą, kritiniu atveju bus sunku nuimti įrenginį arba ant nugaros nešiojamą maitinimo šaltinį ir gali įvykti nelaimingas atsitikimas arba galima susižaloti.

Kaip vaizduojama paveikslėlyje, prie įrenginio prikabin-
kite perpetės diržo kablius.

► **Pav.6:** 1. Kablys

Perpetės diržą taip pat galite pritvirtinti prie įrenginio,
kaip parodyta paveikslėlyje. Pritvirtinkite vieną perpetės
diržo galą prie perpetės diržo sagties.

► **Pav.7:** 1. Sagtis

VEIKIMO APRAŠYMAS

▲ PERSPĖJIMAS: Prieš pradėdami reguliuoti
įrenginį arba tikrinti jo veikimą, visuomet būtinai
išjunkite įrenginį ir išimkite akumuliatoriaus
kasetę.

Akumuliatoriaus kasetės uždėjimas ir nuėmimas

▲ PERSPĖJIMAS: Prieš įdėdami arba išimdami
akumuliatoriaus kasetę, visada išjunkite mašiną.

▲ PERSPĖJIMAS: Įdėdami arba išimdami
akumuliatoriaus kasetę, tvirtai laikykite įrenginį ir
akumuliatoriaus kasetę. Jeigu įrenginį ir akumulia-
toriaus kasetę laikysite netvirtai, jie gali išslysti iš jūsų
rankų, todėl įrenginys ir akumuliatoriaus kasetė gali
būti sugadinti, o naudotojas sužalotas.

▲ PERSPĖJIMAS: Akumuliatoriaus kasetę
visada įkiškite iki galo, kol nebematysite raudono
indikatoriaus. Kitaip ji gali atsitiktinai iškristi iš maši-
nos ir sužeisti jus arba aplinkinius žmones.

▲ PERSPĖJIMAS: Nekiškite akumuliatoriaus
kasetės įėga. Jeigu kasetė sunkiai lenda, ją kišate
netinkamai.

► **Pav.8:** 1. Raudonas sandariklis (indikatorius)
2. Mygtukas 3. Akumuliatoriaus kasetė

Jei norite išimti akumuliatoriaus kasetę, ištraukite ją iš
įrenginio, stumdami mygtuką, esantį kasetės priekyje.

Jei norite įdėti akumuliatoriaus kasetę, sulygiuokite lie-
žuvėlį ant akumuliatoriaus kasetės su grioveliu korpuse
ir įstumkite jį į skirtą vietą. Įdėkite iki galo, kol sprag-
telėdama užsifiksuos. Jeigu matote raudoną sandariklį
(indikatorių) viršutinėje mygtuko pusėje, ji nėra visiškai
užfiksuota.

Likusios akumuliatoriaus galios rodymas

Tik akumuliatoriaus kasetėms su indikatoriumi

Paspauskite akumuliatoriaus kasetės tikrinimo myg-
tuką, kad būtų rodoma likusi akumuliatoriaus ener-
gija. Maždaug trims sekundėms užsidegs indikatorių
lemputės.

► **Pav.9:** 1. Indikatorių lemputės 2. Tikrinimo
mygtukas

Indikatorių lemputės			Likusi galia
Šviečia	Nešviečia	Blyksi	
■ ■ ■ ■			75 - 100 %
■ ■ ■ □			50 - 75 %
■ ■ □ □			25 - 50 %
■ □ □ □			0 - 25 %
▲ □ □ □			Įkraukite akumuliatorių.
■ ■ □ □			Galimai įvyko akumuliatoriaus veikimo triktis.
□ □ ■ ■			

PASTABA: Rodmuo gali šiek tiek skirtis nuo faktinės
energijos lygio – tai priklauso nuo naudojimo sąlygų ir
aplinkos temperatūros.

PASTABA: Veikiant akumuliatoriaus apsaugos siste-
mai ims mirksėti pirmoji (toliausiai kairėje) indikato-
riaus lemputė.

Įrenginio / akumuliatoriaus apsaugos sistema

Įrenginyje įrengta įrenginio / akumuliatoriaus apsau-
gos sistema. Ši sistema automatiškai atjungia variklio
maitinimą, kad įrenginys ir akumuliatoriaus ilgiau veiktų.
Įrenginys automatiškai išsijungs darbo metu esant
vienai iš toliau nurodytų įrenginio arba akumuliatoriaus
darbo sąlygų:

Apsauga nuo perkrovos

Kai įrenginys arba akumuliatorius naudojamas taip, kad
neįprastai padidėja naudojama elektros srovė, įrenginys
automatiškai sustoja be jokių indikacijų. Tokiu atveju
išjunkite įrenginį ir nutraukite darbą, dėl kurio kilo per-
krova. Tada vėl įjunkite įrenginį.

Apsauga nuo perkaitimo

Kai įrenginys arba akumuliatorius perkaista, įrenginys
automatiškai sustoja. Tokiu atveju, prieš vėl įjungdami
įrenginį, leiskite jam ir akumuliatoriui atvėsti.

Apsauga nuo visiško išsekimo

Kai likusios akumuliatoriaus galios nepakanka, įren-
ginys automatiškai išsijungia. Tokiu atveju ištraukite
akumuliatorių iš įrenginio ir jį įkraukite.

Jungiklio veikimas

▲ ĮSPĖJIMAS: Prieš įdėdami akumuliatoriaus
kasetę į įrenginį, visuomet patikrinkite, ar gaiduko
mygtukas gerai veikia, o atleistas grįžta į išjun-
gimo padėtį „OFF“.

► **Pav.10:** 1. Gaidukas

Jei norite paleisti įrenginį, tiesiog paspauskite gaiduką. Greitis didėja stipriau spaudžiant gaiduką. Atleiskite gaiduką, jeigu norite sustabdyti įrenginį.

Pastovaus greičio valdymo funkcija

Pastovaus greičio valdymo funkcija leidžia operatoriui palaikyti pastovų greitį nespaudžiant gaiduko. Norėdami padidinti greitį, sukite valdymo svirtelę į priekį. Norėdami sumažinti greitį, sukite valdymo svirtelę atgal.

► **Pav.11:** 1. Valdymo svirtelė

Apsaugos nuo netyčinio įjungimo funkcija

Net jeigu dedant akumulatoriaus kasetę bus spaudžiamas gaidukas, įrenginys nepasileis. Jei norite įjungti įrenginį, pirmiausia atleiskite gaiduką ir grąžinkite valdymo svirtelę iki galo, tada paspauskite gaiduką.

NAUDOJIMAS

⚠ PERSPĖJIMAS: Nedėkite veikiančio įrenginio ant žemės. Smėlis ar dulkės gali patekti per įtraukimo angą ir sukelti gedimą arba jus sužaloti.

Tvirtai ranka laikykite įrenginį ir, lėtai vaikščiodami, atlikite pūtimo darbus. Pūsdami aplink pastatą, didelį akmenį arba transporto priemonę, nukreipkite antgalį nuo jų. Naudodami įrenginį kampe, pradėkite pūsti nuo kampo, tuomet pereikite į erdvesnę vietą.

► **Pav.12**

GEDIMŲ ŠALINIMAS

Prieš kreipdamiesi dėl remonto darbų, pirmiausia patikrinkite gedimus patys. Jeigu susidursite su problemomis, kurios nėra paaiškintos instrukcijoje, nemėginkite ardyti įrenginio. Geriau kreipkitės į įgaliotuosius „Makita“ techninės priežiūros centrus, kuriuose remontui visuomet naudojamos originalios „Makita“ keičiamosios dalys.

Neįprasta būklė	Tikėtina priežastis (triktis)	Ištaisomoji priemonė
Neveikia variklis.	Neįdėta akumulatoriaus kasetė.	Įdėkite akumulatoriaus kasetę.
	Akumulatoriaus problema (per mažą įtampą)	Įkraukite akumuliatorių. Jei įkrauti nepavyksta, akumuliatorių pakeiskite.
	Netinkamai veikia pavaros sistema.	Dėl remonto kreipkitės į vietinį įgaliotąjį techninės priežiūros centrą.
Po trumpo naudojimo laikotarpio variklis nustoja veikęs.	Mažas akumulatoriaus įkrovos lygis.	Įkraukite akumuliatorių. Jei įkrauti nepavyksta, akumuliatorių pakeiskite.
	Perkaitimas.	Nesinaudokite įrenginiu ir leiskite jam atvėsti.
Įrenginys nepasiekia didžiausią apsučių.	Akumulatorius netinkamai įdėtas.	Akumulatoriaus kasetę įdėkite, kaip aprašyta šioje naudojimo instrukcijoje.
	Mažėja akumulatoriaus galia.	Įkraukite akumuliatorių. Jei įkrauti nepavyksta, akumuliatorių pakeiskite.
	Netinkamai veikia pavaros sistema.	Dėl remonto kreipkitės į vietinį įgaliotąjį techninės priežiūros centrą.
Neįprasta vibracija: ⇒ nedelsdami sustabdykite įrenginį!	Netinkamai veikia pavaros sistema.	Dėl remonto kreipkitės į vietinį įgaliotąjį techninės priežiūros centrą.
Variklis nesustoja: ⇒ nedelsdami išimkite akumuliatorių!	Elektros ar elektronikos sistemos gedimas.	Išimkite akumuliatorių ir susisieki su vietiniu įgaliotuoju techninės priežiūros centru dėl remonto.

TECHNINĖ PRIEŽIŪRA

⚠ PERSPĖJIMAS: Prieš atlikdami patikrą ir priežiūros darbus, visuomet įsitinkinkite, kad įrenginys yra išjungtas ir akumulatoriaus kasetė yra nuimta.

Kad gaminys būtų SAUGUS ir PATIKIMAS, jį taisyti, apžiūrėti ar vykdyti bet kokią kitą priežiūrą ar derinimą turi įgaliotasis kompanijos „Makita“ techninės priežiūros centras; reikia naudoti tik kompanijos „Makita“ pagamintas atsargines dalis.

Įrenginio valymas

Nuvalykite nuo įrenginio dulkes sausu ar muilinu vandeniu sumirkytu ir nugręžtu skuduru.

► **Pav.13**

PASTABA: Niekada nenaudokite gazolino, benzino, tirpiklio, spirito arba panašių medžiagų. Gali atsirasti išblukimų, deformacijų arba įtrūkimų.

Nuvalykite dulkes arba nešvarumus nuo įrenginio gale esančios įsiurbimo angos.

► **Pav.14:** 1. Įsiurbimo anga

Laikymas

Įrenginio dugne esanti skylutė kabliui leidžia patogiai pakabinti įrenginį ant vinių ar varžto sienoje. Įrenginį laikykite vaikams nepasiekiamoje vietoje, apsaugotą nuo drėgmės arba lietaus.

► **Pav.15:** 1. Skylutė

PASIRENKAMI PRIEDAI

⚠ PERSPĖJIMAS: Šiuos priedus arba įtaisus rekomenduojama naudoti su šioje instrukcijoje nurodytu „Makita“ bendrovės gaminiais. Naudojant bet kokius kitus priedus arba įtaisus, gali kilti pavojus sužeisti žmones. Naudokite tik nurodytam tikslui skirtus papildomus priedus arba įtaisus.

Jeigu norite daugiau sužinoti apie tuos priedus, kreipkitės į artimiausią „Makita“ techninės priežiūros centrą.

- Adapterio vamzdis
- Ilginamasis antgalis
- Plokščiasis antgalis
- Tarpelių valymo antgalis
- Vandens pūtimo antgalis
- Perpetės diržas
- Originalus „Makita“ akumulatorius ir įkroviklis

PASTABA: Kai kurie sąraše esantys priedai gali būti pateikti gaminio pakuotėje kaip standartiniai priedai. Jie įvairiose šalyse gali skirtis.

TEHNILISED ANDMED

Mudel:	DUB184	
Võimekus	Õhuvoo maht	0 – 13,0 m ³ /min
	Õhuvoo kiirus (keskmine)	0 – 43,2 m/s
	Õhuvoo kiirus (max)	0 – 52,1 m/s
Üldpikkus (koos eesmise otsakuga)	825 mm	
Nimipinge	Alalisvool 18 V	
Netokaal	2,5–3,0 kg	

- Meie pideva uuringu- ja arendusprogrammi tõttu võidakse tehnilisi andmeid muuta ilma sellest ette teatamata.
- Tehnilised andmed võivad riigiti erineda.
- Kaal võib erineda olenevalt lisaseadistest, kaasa arvatud akukassetist. Kergeim ja raskeim kombinatsioon EPTA-protseduuri 01/2014 kohaselt on toodud tabelis.

Sobiv akukasset ja laadija

Akukasset	BL1815N / BL1820B / BL1830B / BL1840B / BL1850B / BL1860B
Laadija	DC18RC / DC18RD / DC18RE / DC18SD / DC18SE / DC18SF / DC18SH / DC18WC

- Mõned eespool loetletud akukassetid ja -laadijad ei pruugi olla teie riigis saadaval.

⚠ HOIATUS: Kasutage ainult ülalpool loetletud akukasseid ja laadijaid. Muude akukassetite ja laadijate kasutamine võib tekitada vigastusi ja/või tulekahju.

Soovitatud juhtmega ühendatav toiteallikas

Portatiivne akukomplekt	PDC01
-------------------------	-------

- Eespool loetletud juhtmega ühendatavad toiteallikad ei pruugi olla teie riigis saadaval.
- Enne juhtmega ühendatava toiteallika kasutamist lugege neil olevaid juhiseid ja ettevaatusabinõusid.

Sümbolid

Alljärgnevalt kirjeldatakse tingimärke, mida võidakse seadmetel kasutada. Enne seadme kasutamist tehke endale selgeks nende tähendus.

	Olge äärmiselt ettevaatlik ja tähelepanelik.
	Lugege juhendit.
	Hoidke käed pöörlevatest osadest eemal.
	Pikad juuksed võivad vahele jäädes õnnetusi põhjustada.
	Hoidke kõrvalised isikud eemal.
	Kandke silma- ja kõrvakaitsevahendeid.
	Ärge jätke seadet niiskuse kätte.



Ainult EL-i riikide puhul
Seadmes sisalduvate ohtlike osade tõttu võivad elektri- ja elektroonikaseadmete jäätmed, akud ja patareid avaldada negatiivset mõju keskkonnale ja inimeste tervisele.

Elektri- ja elektroonikaseadmeid ega akusid ei tohi kõrvaldada koos olmejäätmetega!

Euroopa elektri- ja elektroonikaseadmete jäätmete, akude ja patareide ning nende jäätmete direktiivi ja riiklikku õigusesse ülevõtmise kohaselt tuleb elektri- ja elektroonikaseadmete, akude ja patareide jäätmed koguda eraldi ning viia eraldiseisvasse olmejäätmete kogumispunkti, mis tegutses kooskõlas keskkonnakaitse eeskirjadega. Sellele osutab seadmele paigaldatud läbikriipsutatud ratastega prügikasti sümbol.



Garanteeritud helivõimsustase ELi välisingimustes kasutatavate seadmete müra direktiivi kohaselt.



Helivõimsustase Austraalia NSW müra-kontrolli määruse kohaselt

Kavandatud kasutus

Masin on ette nähtud tolmu puhumiseks.

Müra

Tüüpiline A-korrigeeritud müratase, määratud standardi EN50636-2-100 kohaselt:

Helirõhutase (L_{pA}): 86,6 dB (A)

Määramatus (K): 1,4 dB (A)

Helivõimsuse tase (L_{WA}): 93,5 dB (A)

Määramatus (K): 2,7 dB (A)

MÄRKUS: Deklareeritud müra väärtust (väärtuseid) on mõõdetud kooskõlas standardse katsemeetodiga ning seda võib kasutada ühe seadme võrdlemiseks teisega.

MÄRKUS: Deklareeritud müra väärtust (väärtuseid) võib kasutada ka mürataseme esmaseks hindamiseks.

⚠ HOIATUS: Kasutage kõrvakaitsmeid.

⚠ HOIATUS: Müratase võib elektritööriista tege-
likkuses kasutamise ajal erineda deklareeritud
väärtus(t)est olenevalt tööriista kasutusviisidest
ja eriti töödeldavast toorikust.

⚠ HOIATUS: Rakendage operaatori kaitsmi-
seks kindlasti piisavaid ohutusabinõusid, mis
põhinevad hinnangulisel müratasemel tegelikus
töösihtuoloonis (võttes arvesse tööperioodi kõiki
osasid, näiteks korrad, kui seade lülitatakse välja
ja seade töötab tühikäigul, lisaks tööajale).

Vibratsioon

Vibratsiooni koguväärtus (kolmeteljeliste vektorite
summa) määratud standardi EN50636-2-100 kohaselt:
Töörežiim: töötamine ilma laenguta

Vibratsiooniheide (a_h): 2,5 m/s² või vähem

Määramatus (K): 1,5 m/s²

MÄRKUS: Deklareeritud vibratsiooni koguväärtust
(-väärtuseid) on mõõdetud kooskõlas standardse kat-
semeetodiga ning seda võib kasutada ühe seadme
võrdlemiseks teisega.

MÄRKUS: Deklareeritud vibratsiooni koguväärtust
(-väärtuseid) võib kasutada ka mürataseme esma-
seks hindamiseks.

⚠ HOIATUS: Vibratsioonitase võib elektritöö-
riista tegekkuses kasutamise ajal erineda dekla-
reeritud väärtus(t)est olenevalt tööriista kasutus-
viisidest ja eriti töödeldavast toorikust.

⚠ HOIATUS: Rakendage operaatori kaitsmi-
seks kindlasti piisavaid ohutusabinõusid, mis
põhinevad hinnangulisel müratasemel tegelikus
töösihtuoloonis (võttes arvesse tööperioodi kõiki
osasid, näiteks korrad, kui seade lülitatakse välja
ja seade töötab tühikäigul, lisaks tööajale).

Vastavusdeklaratsioon

Ainult Euroopa riikide puhul

Vastavusdeklaratsioonid on selle juhendi A-lisas.

OHUTUSHOIATUSED

Juhtmeta puhuri ohutusjuhised

⚠ HOIATUS: Lugege läbi kõik ohutusohiatused
ja juhtnõõrid. Hoiatuste ja juhtnõõride mittejärgmine
võib põhjustada elektrišokki, tulekahju ja/või tõsiseid
vigastusi.

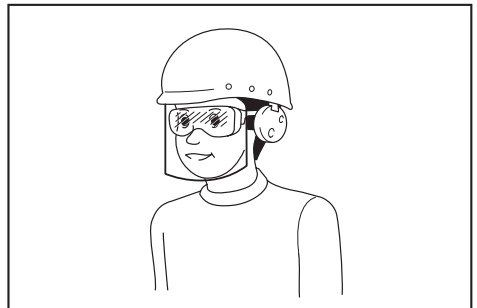
Hoidke edaspidisteks viide- teks alles kõik hoiatused ja juhtnõõrid.

Õpe

1. Lugege tähelepanelikult juhiseid. Õppige põhjalikult tundma puhuri juhtimisseadiseid ja õiget kasutamist.
2. Ärge kunagi laske puhurit kasutada lastel, piiratud füüsiliste, sensoorsete või vaimsete võimete ga inimestel või puudulike kogemuste või teadmistega isikutel või isikutel, kes ei ole tutvunud nende juhistega. Kohalikud määrused võivad seada piiranguid kasutaja vanusele.
3. Ärge kunagi kasutage puhurit siis, kui läheduses viibivad inimesed (eriti lapsed) või lemmikloomad.
4. Pidage meeles, et omanik või kasutaja vastutab teistele isikutele põhjustatud vigastuste või nende varale tekitatud kahjustuste eest.

Ettevalmistus

1. Kandke puhurit kasutades alati tugevaid jalatseid ja pikki pükse.
2. Ärge kandke kehast eemale hoidvaid rõivaid ega ethteid, sest need võidakse õhuvõtuavasse imeda. Vältige pikkade juuste sattumist õhuvõtuavade lähedusse.
3. Kandke elektritööriista kasutades oma silmade vigastuste eest kaitsmiseks alati kaitseprille. Prillid peavad vastama USA-s standardile ANSI Z87.1, Euroopas standardile EN 166 või Austraalias/Uus-Meremaal standardile AS/NZS 1336. Austraalias/Uus-Meremaal on näo kaitsmiseks seadusega nõutud ka näokaitsme kasutamine.



Tööandja kohustus on nõuda, et tööriista operaatorid ja teised tööpiirkonnas viibivad isikud kannaksid sobivat ohutusvarustust.

4. Tolmuärrituse vältimiseks on soovitatav kanda näomaski.
5. Kandke masinaga töötamise ajal alati mittelibi-sevaid ja kaitsvaid jalatseid. Libisemistavastased, suletud varbaosaga turvasaapad ja -kingad vähendavad vigastuste ohtu.
6. **Kasutage isikukaitsvahendeid. Kandke alati silmakaitsemeid.** Kaitsevahendid, näiteks olu-desse sobiv tolumumask, libisemiskindlad turvaja-latsid, kõva peakate või kõrvaklapid, vähendavad tervisekahjustusi.
17. Vältige tahtmatut käivitamist. Veenduge, et lüliti oleks enne akukasetti ühendamist, puhuri töstmist või kandmist väljalülitatud asendis. Kui hoiate puhurit kandes sõrme lüliti või ühendate puhuri vooluvõrku ajal, kui lüliti on sisselülitatud asendis, võite põhjus-tada õnnetuse.
18. Ärge kunagi puhuge ohtlike materjalide, nagu naelte, klaasikildude või terade suunas.
19. Ärge kasutage puhurit tuleohtlike materjalide lähedal.

Kasutamine

1. Lülitage puhur välja ja eemaldage akukasett. Veenduge, et kõik liikuvad osad oleks täielikult peatunud.
 - puhuri juurest lahkumise korral.
 - enne ummistuste kõrvaldamist.
 - enne kontrollimist, puhastamist või puhuri parandamist.
 - kui puhur hakkab ebanormaalselt vibreerima.
2. Töötage puhuriga ainult päevavalguses või hea tehisvalgustuse käes.
3. Ärge küünitage liiga kaugele, hoidke alati tasakaalu ja kindlat jalgealust.
4. Jälgige kallakutel alati, et teil oleks kindel jalgealune.
5. Kõndige, ärge kunagi jookske.
6. Hoidke kõik jahutusõhu avad prahist puhtad.
7. Ärge kunagi puhuge prahti kõrvalseisjate poole.
8. Hoidke puhurit töötamise ajal soovitatud asen-dis ja kindlal tasapinnal.
9. Ärge kasutage puhurit kõrgetes kohtades.
10. Puhuri kasutamisel ärge kunagi suunake otsa-kut läheduses viibijatele.
11. Ärge kunagi tõkestage imiava ja/või puhuri väljalaskeava.
 - Olge tolmu- ja saasteühendite töötamisel ettevaatlik, et tolmu või mustuse ei tõkes-taks imi- või väljalaskeava.
 - Kasutage ainult Makita pakutavaid otsakuid.
 - Ärge kasutage puhurit pallide, kummi-paatide või muude sarnaste esemete täispumpamiseks.
12. Ärge töötage puhuriga avatud akna jms lähedal.
13. Soovitatav on töötada puhuriga ainult mõistli-kul ajal – mitte varajastel hommikutundidel ega hilja õhtul, kui võite inimesi häirida.
14. Soovitatav on, et kaabiksate prahi enne puhu-mist sobivate kaabitsate ja harjadega lahti.
15. Kui puhur pörkab mõne võõrkeha vastu või hakkab tekitama ebataavalist müra või vib-ratsiooni, lülitage puhur viivitamatult välja. Eemaldage akukasett puhurist ning kont-rollige puhurit enne taaskäivitamist ja töö jätkamist kahjustuste suhtes. Kui puhur on kahjustunud, pöörduge parandamiseks Makita volitatud hoolduskeskusesse.
16. Ärge pange sõrmi ega muid esemeid imia-vasse ega puhuri väljapuhkeavasse.

20. Vältige puhuri pikaajast kasutamist madala temperatuuriga keskkonnas.

Hooldus ja hoiundamine

1. Puhuri ohutu talitluse tagamiseks hoidke kõik mutrid, poldid ja kruvid tugevasti kinni.
2. Kui osad on kulunud või kahjustunud, asen-dage need Makita pakutavate osadega.
3. Hoidke puhurit kuivas ja lastele kättesaamatus kohas.
4. Kui peatate puhuri kontrolliiks, hoolduseks, hoiule panekuks või lisatarvikute vahetami-seks, lülitage puhur välja ja veenduge, et kõik liikuvad osad oleks täielikult peatunud. Seejärel eemaldage akukasett. Enne puhuriga mis tahes töö tegemist laske sellel jahtuda. Hooldage puhurit hoolikalt ja hoidke seda puhtana.
5. Enne hoiule panekut laske sellel alati enne maha jahtuda.
6. Ärge jätke puhurit vihma kätte. Hoidke puhurit siseruumis.
7. Puhuri töstmisel kõrverdage kindlasti põlvi ja olge ettevaatlik, et mitte selga vigastada.

Akuga tööriista kasutamine ja hooldus

1. Laadige alati laadijaga, mille tootja on heaks kiitnud. Laadija, mis sobib kasutamiseks ühte tüüpi akuga, võib kaasa tuua tulekahjuohtu, kui seda kasutada koos mõnda teist tüüpi akuga.
2. Kasutage elektritööriista üksnes spetsiaalselt neile toodetud akudega. Mis tahes muude akude kasutamine võib tekitada tervisekahjustusi või tulekahjuohtu.
3. Kui akut ei kasutata, ärge hoidke seda koos muude metallesemetega, nagu kirjaklambrid, mündid, võtmed, naelad, kruvid jm väikesed metallesemad, mis võivad tekitada ühenduse klemmide vahel. Akuklemmide lühis võib põhjus-tada põletusi ja tulekahjuohtu.
4. Väärkasutamise tagajärjel võib akust valguda välja vedelikku; ärge seda puudutage. Kui olete selle vedelikuga siiski kogemata kokku puutunud, uhtke kohta veega. Kui vedelik on sattunud silma, minge arsti juurde. Akust väljavalgunud vedelik võib põhjustada ärritust ja põletusi.
5. Ärge kasutage akupaketti ega tööriista, mis on kahjustatud või muudetud. Kahjustatud või muudetud akud võivad käituda etteaimamatult, põhjustades süttimis-, plahvatus- või vigastusohu.
6. Kaitske akupaketti ja tööriista tule ja kõrge temperatuuri eest. Tule või kõrgema kui 130 °C temperatuuriga kokkupuutumine võib tuua kaasa plahvatused.

7. **Pidage kinni kõigist laadimisjuhustest ja ärge laadige akupaketti ega tööriista väljaspool juhendis märgitud temperatuurivahemikku.** Valesi või väljaspool märgitud temperatuurivahemikku laadimine võib kahjustada akupaketti ja suurendada süttimisohtu.

Elektriohutus ja aku ohutu talitus

1. **Ärge visake kasutatud aku (akusid) tulle.** Element võib plahvatada. Kasutatud akude käitlemise võimalikud erinõuded leiate kohalikest eeskirjadest.
2. **Akut (akusid) ei tohi avada ega kahjustada.** Väljalagunenud elektrolüüt on söövitava toimega ning võib kahjustada silmi ja nahka. See võib osutada allaneelamisel mürgiseks.
3. **Ärge laadige akut vihma käes ega märjas keskkonnas.**
4. **Ärge laadige akut välistingimustes.**
5. **Ärge käsitsege laadurit, sh laaduri pistikut ja laadimisterminale märgade kätega.**

Hooldus

1. **Laske elektritööriista hooldada eksperdil, kes kasutab vaid originaalvaruosi.** Siis püsib elektritööriista ohutus.
2. **Ärge hooldage kahjustatud akupakette.** Akupakette võivad hooldada ainult tootja või ametlikud teenusepakkujad.

HOIDKE JUHEND ALLES.

⚠HOIATUS: ÄRGE UNUSTAGE järgida toote ohutusnõudeid mugavuse või toote (korduskasutamisega saavutatud) hea tundmise tõttu.

VALE KASUTUS või kasutusjuhendi ohutuseeskirjade eiramine võib põhjustada tervisekahjustusi.

Akupassetiga seotud olulised ohutusjuhised

1. Enne akupasseti kasutamist lugege (1) akulaadijat, (2) akul ja (3) seadmel olevad juhtnõidid ja hoiatused läbi.
2. **Ärge võtke akupasseti lahti ega muutke seda.** See võib põhjustada tulekahju, liigset kuumust või plahvatuse.
3. **Kui tööaeg järsult lüheneb, siis lõpetage kohe kasutamine.** Edasise kasutamise tulemuseks võib olla ülekuumenemisoht, võimalikud põletused või isegi plahvatus.
4. **Kui elektrolüüti satub silma, siis loputage silma puhta veega ja pöörduge koheselt arsti poole.** Selline õnnetus võib põhjustada pimedaksjäämist.
5. **Ärge tekitage akupassetis lühist:**
 - (1) Ärge puutuge klemme elektrijuhtidega.
 - (2) Ärge hoidke akupasseti tööriistakastis koos metallsemetega, nagu naelad, mündid jne.
 - (3) Ärge tehke akupasseti märjaks ega jätke seda vihma kätte.

Aku lühis võib põhjustada tugevat elektrivoolu, ülekuumenemist, põletusi ning ka seadet tõsiselt kahjustada.

6. **Ärge hoidke ega kasutage tööriista ja akupasseti kohtades, kus temperatuur võib tõusta üle 50 °C (122 °F).**
7. **Ärge põletage akupasseti isegi siis, kui see on saanud tõsiselt vigastada või on täiesti kulu- nud.** Akupasset võib tules plahvatada.
8. **Ärge naelutage, lõigake, muljuge, visake akupasseti ega laske sel kukkuda, samuti ärge lööge selle pihta kõva esemega.** Selline tegevus võib põhjustada tulekahju, liigset kuumust või plahvatuse.
9. **Ärge kasutage kahjustatud akut.**
10. **Sisalduvatele liitium-ioonakudele võivad kohalduda ohtlike kaupade õigusaktide nõuded.** Kaubanduslikul transportimisel, näiteks kolmandate poolte või transpordiettevõtete poolt, tuleb järgida pakendil ja siltidel toodud erinõudeid. Transportimiseks ettevalmistamisel on vajalik pidada nõu ohtliku materjali eksperdiga. Samuti tuleb järgida võimalike riiklike regulatsioonide üksikasjalikumaid nõudeid. Katke teibiga või varjake avatud kontaktid ja pakendage aku selliselt, et see ei saaks pakendis liukuda.
11. **Kasutuskõlbmatuks muutunud akupasseti kõrvaldamiseks eemaldage see tööriistast ja viige selleks ette nähtud kohta.** Järgige kasutuskõlbmatuks muutunud aku kõrvaldamisel kohalikke eeskirju.
12. **Kasutage akusid ainult Makita heaks kiidetud toodetega.** Akude paigaldamine selleks mitte ettenähtud toodetele võib põhjustada süttimist, ülemäärast kuumust, plahvatamist või elektrolüüdi lekkimist.
13. **Kui tööriista ei kasutata pika ajaperioodi jooksul, tuleb aku tööriistast eemaldada.**
14. **Kasutamise ajal ja pärast kasutamist võib akupassetit kuumeneda, mis võib põhjustada põletusi või madala temperatuuri põletusi.** Olge kuuma akupasseti kandmisel ettevaatlik.
15. **Ärge puudutage tööriista klemmi kohe pärast kasutamist, sest see võib olla kuum ja põhjustada põletusi.**
16. **Hoidke akupasseti klemmid, avad ja sooned tükikestest, tolmust ja mullast puhtad.** See võib põhjustada tööriista või aku ülekuumenemist, süttimist, purunemist ja talitlushäireid, mis võib lõppeda põletuste või kehavigastustega.
17. **Kui tööriist ei kannata kasutamist kõrgepingeliinide lähedal, ärge kasutage akupassetit kõrgepingeliinide lähedal.** Muidu võib tööriist või akupasset puruneda või sellel tõrge tekkida.
18. **Hoidke akut lastele kättesaamatult.**

HOIDKE JUHEND ALLES.

⚠ETTEVAATUST: Kasutage ainult Makita originaalakusid. Mitte Makita originaalakude või muudetud akude kasutamine võib põhjustada akude süttimise, kehavigastuse ja kahjustuse. Samuti muudab see kehtetuks Makita tööriista ja laadija Makita garantii.

Vihjeid aku maksimaalse

kasutusaja tagamise kohta

1. Laadige akukassetti enne selle täielikku tühjenemist. Kui märkate, et tööriist töötab väiksema võimsusega, peatage töö ja laadige akukassetti.
2. Ärge laadige täielikult laetud akukassetti. Ülelaadimine lühendab akude kasutusiga.
3. Laadige akukassetti toatemperatuuril 10 °C - 40 °C. Enne laadimist laske kuumenenud akukassetil maha jahtuda.
4. Kui te ei kasuta parajasti akukassetti, eemaldage see tööriistast või laadurist.
5. Kui te ei kasuta akukassetti kauem kui kuus kuud, laadige see.

KOKKUPANEK

⚠ETTEVAATUST: Kandke alati hoolt selle eest, et masin oleks enne igasuguseid hooldustöid välja lülitatud ja akukassett eemaldatud.

Eesmise otsaku paigaldamine

1. Keerake 2 kruvi kuuskantvõtmega lahti ja tõmmake need täielikult välja.
▶ **Joon.1:** 1. Kruvi
2. Veenduge, et eesmisel otsakul olev Makita logo oleks keeratud joonisel näidatud suunas, seejärel ühendage otsak masinaga.
▶ **Joon.2:** 1. Eesmine otsak
3. Keerake kruvid kuuskantvõtmega kinni.
▶ **Joon.3:** 1. Kruvi

Lameda otsaku või pikendusotsaku paigaldamine

Lisatarvik

1. Kinnitage adapteri toru eesmise otsaku külge ja keerake paigale lukustamiseks pärisuunas.
▶ **Joon.4:** 1. Adapteri toru 2. Eesmine otsak
2. Kinnitage lame või pikendusotsak adapteri toru külge ja keerake paigale lukustamiseks pärisuunas.
▶ **Joon.5:** 1. Lame otsak 2. Pikendusotsak 3. Adapteri toru

Renniootsaku paigaldamine

Lisatarvik

Renniootsaku saab paigaldada puhuri külge. Renniootsaku paigaldamiseks on vajalik adapteri toru, mis on loodud spetsiaalselt selle mudeli jaoks. Täpsemat teavet saate renniootsakuga kaasas olevast kasutusjuhendist.

Veepuhumisotsaku paigaldamine

Lisatarvik

Veepuhumisotsaku saab paigaldada puhuri külge. Täpsemat teavet saate veepuhumisotsakuga kaasas

olevast kasutusjuhendist.

Ölarihma kinnitamine

Lisatarvik

⚠ETTEVAATUST: Kinnitage ölarihma konksud kindlalt masina külge. Kui konksud ei ole korralikult kinnitatud, võivad need lahti tulla ja vigastusi põhjustada.

⚠ETTEVAATUST: Kasutage kindlasti selle tööriista jaoks mõeldud ölarihma. Teiste ölarihmade kasutamine võib põhjustada vigastusi.

⚠ETTEVAATUST: Kui kasutate masinat koos seljakoti tüüpi vooluvarustusega, nagu portatiivne akukomplekt, ärge kasutage masina komplektis kaasas olevat ölarihma.

Kui kasutate samal ajal masina komplektis kaasas olevat ölarihma ja seljakoti tüüpi vooluvarustuse ölarihma, on masina või seljakoti tüüpi vooluvarustuse hädaolukorras eemaldamine raskendatud ning see võib põhjustada õnnetuse või vigastuse.

Kinnitage ölarihma konksud masina külge, nagu on joonisel näidatud.

▶ **Joon.6:** 1. Konks

Ölarihma saate joonisel näidatud viisil masina külge kinnitada ka nii, et kinnitate ölarihma ühe poole ölarihma pandla külge.

▶ **Joon.7:** 1. Pannal

FUNKSIONAALNE KIRJELDUS

⚠ETTEVAATUST: Kandke alati hoolt selle eest, et masin oleks enne reguleerimist ja kontrollimist välja lülitatud ning akukassett eemaldatud.

Akukassetti paigaldamine või eemaldamine

⚠ETTEVAATUST: Lülitage masin alati enne akukassetti paigaldamist või eemaldamist välja.

⚠ETTEVAATUST: Akukassetti paigaldamisel või eemaldamisel tuleb masinat ja akukassetti kindlalt paigal hoida. Kui masinat ja akukassetti ei hoita kindlalt paigal, võivad need käest libiseda ning kahjustada masinat ja akukassetti või põhjustada kehavigastusi.

⚠ETTEVAATUST: Paigaldage akukassett alati täies ulatuses nii, et punane näidik poleks nähtaval. Muidu võib see juhuslikult masinast välja kukkuda ja põhjustada teile või läheduses viibivatele isikutele vigastusi.

⚠ETTEVAATUST: Ärge rakendage akukassetti paigaldamisel jõudu. Kui kassett ei lähe kergesti sisse, pole see õigesti paigaldatud.

▶ **Joon.8:** 1. Punane näidik 2. Nupp 3. Akukassett

Akukasseti eemaldamiseks libistage see masina küljest lahti, vajutades kasseti esiküljel paiknevat nuppu alla.

Akukasseti paigaldamiseks joondage akukasseti keel korpuse soonega ja libistage kassett oma kohale. Paigaldage akuadapter alati nii kaugele, et see lukustuks klõpsatusega oma kohale. Kui näete nupu ülaosas punast osa, pole kassett täielikult lukustunud.

Aku jääkmahutavuse näit

Animult näidikuga akukassettidele

Akukasseti järelejäänud mahutavuse kontrollimiseks vajutage kontrollimise nuppu. Märkulambid süttivad mõneks sekundiks.

► **Joon.9:** 1. Märkulambid 2. Kontrollimise nupp

Märkulambid			Jääkmahutavus
Pöleb	Ei põle	Vilgub	
■	□	◐	75 - 100%
■	■	□	50 - 75%
■	□	□	25 - 50%
■	□	□	0 - 25%
◐	□	□	Laadige akut.
■	■	□	Akul võib olla tõrge.
□	□	■	

MÄRKUS: Näidatud mahutavus võib veidi erineda tegelikust mahutavusest olenevalt kasutustingimustest ja ümbritseva keskkonna temperatuurist.

MÄRKUS: Esimene (taga vasakul asuv) märgutuli vilgub, kui akukaitsesüsteem töötab.

Masina/aku kaitsesüsteem

Masinal on masina/aku kaitsesüsteem. Süsteem lülitab mootori automaatselt välja, et pikendada masina ja aku tööiga. Masin seiskub käitamise ajal automaatselt, kui masina või aku kohta kehtib üks järgmistest tingimustest.

Ülekoormuskaitse

Kui masina või aku kasutamise käigus hakkab see tarbima ebaharilikult palju voolu, peatub masin automaatselt ilma igasuguse signaalita. Sel juhul lülitage masin välja ja lõpetage masina ülekoormuse põhjustanud töö. Pärast seda käivitage masin uuesti.

Ülekuumenemiskaitse

Masina või aku ülekuumenemisel seiskub masin automaatselt. Laske sellisel juhul masinal ja akul enne masina uuesti sisselülitamist jahtuda.

Ülelaadimiskaitse

Kui aku jääkmahutavusest ei piisa, seiskub masin automaatselt. Sellisel juhul eemaldage aku masinast ja laadige akut.

Lüliti funktsioneerimine

⚠ HOIATUS: Kontrollige alati enne akukasseti masina külge paigaldamist, kas lüliti päästik funktsioneerib nõuetekohaselt ja liigub lahtilaskmisel tagasi väljalülitatud asendisse.

► **Joon.10:** 1. Lüliti päästik

Masina käivitamiseks tuleb lihtsalt vajutada lüliti päästikut. Kiirus kasvab, kui suurendate lüliti päästikule survet. Vabastage seiskamiseks lüliti päästik.

Kiirushoidiku funktsioon

Kiirushoidiku funktsioon võimaldab operaatoril hoida püsivat kiirust ilma päästikule vajutamata. Kiiruse suurendamiseks keerake juhthooba ettepoole. Kiiruse vähendamiseks keerake juhthooba tahapoole.

► **Joon.11:** 1. Juhthoob

Juhusliku taaskäivitamise vältimise funktsioon

Akukasseti paigaldamise ajal ei käivitu masin isegi lüliti päästiku tõmbamisel. Masina käivitamiseks vabastage lüliti päästik ning tooge juhthoob tagasi oma kohale ja tõmmake siis lüliti päästikut.

TÖÖRIISTA KASUTAMINE

⚠ ETTEVAATUST: Ärge asetage sisselülitatud puhurit maapinnale. Imiavasse võib sattuda liiva ja tolm, mis võivad põhjustada riket või kehavigastusi.

Hoidke masinat kindlalt käes ja liigutage seda töötamise ajal aeglaselt ringi. Kui puhute hoone, suure kivi või sõiduki ümbrust, siis suunake otsak neist eemale. Kui puhute nurgas, siis alustage nurga seest ja seejärel liikuge suuremale pinnale.

► **Joon.12**

HOOLDUS

⚠ ETTEVAATUST: Enne kontroll- või hooldustoimingute tegemist kandke alati hoolt selle eest, et masin oleks välja lülitatud ja akukassett eemaldatud.

Toote OHUTUSE ja TÖÖKINDLUSE tagamiseks tuleb vajalikud remonttööd ning muud hooldus- ja reguleerimistööd lasta teha Makita volitatud teeninduskeskustes või tehase teeninduskeskustes. Alati tuleb kasutada Makita varuosi.

Masina puhastamine

Masina puhastamiseks pühkige sellelt kuiva või seebi-
vette kastetud ja välja väänatud lapiga tolm.

► Joon.13

TÄHELEPANU: Ärge kunagi kasutage bensiini, vedeldit, alkoholi ega midagi muud sarnast. Selle tulemuseks võib olla luitumine, deformatsioon või pragunemine.

Eemaldage tolm või mustus masina taga asuvast imiavast.

► Joon.14: 1. Imiava

Hoiustamine

Masina all oleva auguga on mugav masinat seinale naela või kruvi otsa riputada. Hoidke masinat lastele kättesaamatus ja vihma- või niiskuskindlas kohas.

► Joon.15: 1. Auk

VEAOTSING

Enne parandustöökotta pöördumist kontrollige esmalt ise seadet. Ärge proovige masinat lahti võtta, kui leiate probleemi, mida kasutusjuhendis ei kirjeldata. Selle asemel pöörduge Makita volitatud teeninduskeskusesse, kus kasutate parandamisel alati Makita tagavaraosi.

Tõrge	Võimalik põhjus (riike)	Lahendus
Mootor ei tööta.	Akukassett ei ole paigaldatud.	Paigaldage akukassett.
	Akuga seotud probleem (alapinge)	Laadige aku. Kui laadimine ei anna tulemust, vahetage aku välja.
	Veosüsteem ei tööta korralikult.	Paluge volitatud teeninduskeskuses teha parandustööd.
Mootor seiskub pärast lühiajalist töötamist.	Aku laetustase on madal.	Laadige aku. Kui laadimine ei anna tulemust, vahetage aku välja.
	Ülekuumenemine.	Lõpetage masina kasutamine ja laske sel maha jahtuda.
Masin ei saavuta suurimat kiirust.	Aku ei ole õigesti paigaldatud.	Paigaldage akukassett juhendis kirjeldatud viisil.
	Aku võimsus langeb.	Laadige aku. Kui laadimine ei anna tulemust, vahetage aku välja.
	Veosüsteem ei tööta korralikult.	Paluge volitatud teeninduskeskuses teha parandustööd.
Ebatavaline vibratsioon: ⇒ seisake masin viivitamatult!	Veosüsteem ei tööta korralikult.	Paluge volitatud teeninduskeskuses teha parandustööd.
Mootor ei seisku: ⇒ eemaldage viivitamatult aku!	Elektri- või elektroonikarike.	Eemaldage aku ja paluge kohalikul ametiikul teeninduskeskusel tööriist remontida.

VALIKULISED TARVIKUD

⚠ETTEVAATUST: Neid tarvikuid ja lisaseadmeid on soovitatav kasutada koos Makita tootega, mille kasutamist selles kasutusjuhendis kirjeldatakse. Muude tarvikute ja lisaseadmete kasutamisega võib kaasneda vigastusohu. Kasutage tarvikuid ja lisaseadmeid ainult otstarbekohaselt.

Saate vajaduse korral kohalikust Makita teeninduskeskusest lisateavet nende tarvikute kohta.

- Adapteri toru
- Pikendusotsak
- Lame otsak
- Renniootsak
- Veepuhumisotsak
- Õlarihm
- Makita algupärane aku ja laadija

MÄRKUS: Mõned nimekirjas loetletud tarvikud võivad olla lisatud põhivarustusena toote pakendisse. Need võivad riigiti erineda.

ТЕХНИЧЕСКИЕ ХАРАКТЕРИСТИКИ

Модель:		DUB184
Параметры	Объем воздуха	0–13,0 м³/мин
	Скорость воздуха (средняя)	0–43,2 м/с
	Скорость воздуха (макс.)	0–52,1 м/с
Общая длина (с передней насадкой)		825 мм
Номинальное напряжение		18 В пост. тока
Масса нетто		2,5 – 3,0 кг

- Благодаря нашей постоянно действующей программе исследований и разработок указанные здесь технические характеристики могут быть изменены без предварительного уведомления.
- Технические характеристики могут различаться в зависимости от страны.
- Масса может отличаться в зависимости от дополнительного оборудования. Обратите внимание, что блок аккумулятора также считается дополнительным оборудованием. В таблице представлены комбинации с наибольшим и наименьшим весом в соответствии с процедурой EPTA 01/2014.

Подходящий блок аккумулятора и зарядное устройство

Блок аккумулятора	BL1815N / BL1820B / BL1830B / BL1840B / BL1850B / BL1860B
Зарядное устройство	DC18RC / DC18RD / DC18RE / DC18SD / DC18SE / DC18SF / DC18SH / DC18WC

- В зависимости от региона проживания некоторые блоки аккумуляторов и зарядные устройства, перечисленные выше, могут быть недоступны.

⚠ ОСТОРОЖНО: Используйте только перечисленные выше блоки аккумуляторов и зарядные устройства. Использование других блоков аккумуляторов и зарядных устройств может привести к травме и/или пожару.




Рекомендованный источник электропитания с проводным подключением



Портативный блок питания	PDC01
--------------------------	-------

- В некоторых регионах определенные модели перечисленных выше источников электропитания с проводным подключением могут быть недоступны.
- Перед началом использования источника электропитания с проводным подключением изучите инструкцию и предупреждающие надписи на нем.

Символы

Ниже приведены символы, которые могут использоваться для обозначения оборудования. Перед использованием убедитесь в том, что вы понимаете их значение.

	Обратите особое внимание.
	Прочитайте руководство по эксплуатации.
	Руки должны находиться на безопасном расстоянии от вращающихся деталей.
	Длинные волосы могут попасть в оборудование и запутаться в нем.
	Не допускайте посторонних лиц к месту выполнения работ.

	Надевайте защитные очки и используйте средства защиты органов слуха.
	Берегите от влаги.



Только для стран ЕС
В связи с наличием в оборудовании опасных компонентов отходы электрического и электронного оборудования, аккумуляторы и батареи могут оказывать негативное влияние на окружающую среду и здоровье человека.
Не выбрасывайте электрические и электронные устройства или батареи вместе с бытовыми отходами!
В соответствии с директивной ЕС по отходам электрического и электронного оборудования, по аккумуляторам, батареям и отходам аккумуляторов и батарей, а также в соответствии с ее адаптацией к национальному законодательству, отходы электрического оборудования, батареи и аккумуляторы следует хранить отдельно и доставлять на пункт раздельного сбора коммунальных отходов, работающий с соблюдением правил охраны окружающей среды. Это обозначено символом в виде перечеркнутого мусорного контейнера на колесах, нанесенным на оборудование.



Гарантированный уровень звуковой мощности в соответствии с Директивной ЕС по шумам вне помещений.



Уровень звуковой мощности в соответствии с Регламентом Австралии (Новый Южный Уэльс) по контролю за шумом

Назначение

Машина предназначена для сдувания малогабаритного мусора.

Шум

Типичный уровень взвешенного звукового давления (A), измеренный в соответствии с EN50636-2-100:
Уровень звукового давления (L_{pA}): 86,6 дБ (A)
Погрешность (K): 1,4 дБ (A)
Уровень звуковой мощности (L_{WA}): 93,5 дБ (A)
Погрешность (K): 2,7 дБ (A)

ПРИМЕЧАНИЕ: Заявленное значение распространения шума измерено в соответствии со стандартной методикой испытаний и может быть использовано для сравнения инструментов.

ПРИМЕЧАНИЕ: Заявленное значение распространения шума можно также использовать для предварительных оценок воздействия.

▲ОСТОРОЖНО: Используйте средства защиты слуха.

▲ОСТОРОЖНО: Распространение шума во время фактического использования электроинструмента может отличаться от заявленного значения в зависимости от способа применения инструмента и в особенности от типа обрабатываемой детали.

▲ОСТОРОЖНО: Обязательно определите меры безопасности для защиты оператора, основанные на оценке воздействия в реальных условиях использования (с учетом всех этапов рабочего цикла, таких как выключение инструмента, работа без нагрузки и включение).

Вибрация

Суммарное значение вибрации (сумма векторов по трем осям), определенное в соответствии с EN50636-2-100:
Рабочий режим: работа без нагрузки
Распространение вибрации (a_n): 2,5 m/s^2 или менее
Погрешность (K): 1,5 m/s^2

ПРИМЕЧАНИЕ: Заявленное общее значение распространения вибрации измерено в соответствии со стандартной методикой испытаний и может быть использовано для сравнения инструментов.

ПРИМЕЧАНИЕ: Заявленное общее значение распространения вибрации можно также использовать для предварительных оценок воздействия.

▲ОСТОРОЖНО: Распространение вибрации во время фактического использования электроинструмента может отличаться от заявленного значения в зависимости от способа применения инструмента и в особенности от типа обрабатываемой детали.

▲ОСТОРОЖНО: Обязательно определите меры безопасности для защиты оператора, основанные на оценке воздействия в реальных условиях использования (с учетом всех этапов рабочего цикла, таких как выключение инструмента, работа без нагрузки и включение).

Декларации о соответствии

Только для европейских стран

Декларации о соответствии включены в Приложение А к настоящему руководству по эксплуатации.

МЕРЫ БЕЗОПАСНОСТИ

Инструкции по технике безопасности при эксплуатации аккумуляторной воздуходувки

⚠ ОСТОРОЖНО: Ознакомьтесь со всеми инструкциями и рекомендациями по технике безопасности. Невыполнение инструкций и рекомендаций может привести к поражению электротоком, пожару и/или тяжелым травмам.

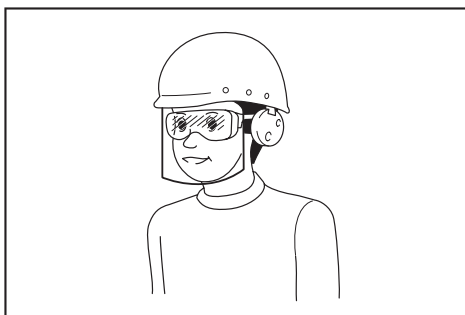
Сохраните брошюру с инструкциями и рекомендациями для дальнейшего использования.

Инструктаж

1. Внимательно прочитайте инструкции. Ознакомьтесь со всеми органами управления и правилами надлежащей эксплуатации воздуходувки.
2. Не разрешайте пользоваться воздуходувкой детям, людям с ограниченными физическими, сенсорными или умственными возможностями, людям, не имеющим соответствующего опыта или знаний для работы с этим оборудованием, а также лицам, не ознакомившимся с этим руководством. В местном законодательстве могут быть предусмотрены возрастные ограничения для операторов.
3. Запрещено эксплуатировать воздуходувку, если поблизости находятся люди (в особенности дети) или животные.
4. Помните о том, что оператор или пользователь несет ответственность за происшествя и опасные ситуации с другими людьми или их собственностью.

Подготовка

1. На время эксплуатации воздуходувки обязательно надевайте длинные брюки и прочную обувь.
2. Не носите свободную одежду или украшения, которые могут быть затянуты в отверстие для притока воздуха. Не допускайте попадания длинных волос в отверстия для притока воздуха.
3. Во время работы с электроинструментом всегда надевайте защитные очки. Очки должны соответствовать ANSI Z87.1 для США, EN 166 для Европы, или AS/NZS 1336 для Австралии и Новой Зеландии. В Австралии и Новой Зеландии оператор также обязан носить защитную маску.



Ответственность за использование средств защиты операторами и другим персоналом вблизи рабочей зоны возлагается на работодателя.

4. Для предотвращения раздражения из-за пыли рекомендуется носить лицевую маску.
5. Во время эксплуатации тачки обязательно надевайте нескользящую защитную обувь. Нескользящая защитная обувь с закрытым носком снижает риск получения травмы.
6. Используйте индивидуальные средства защиты. Всегда надевайте защитные очки. Такие средства индивидуальной защиты, как маска от пыли, защитная нескользящая обувь, каска или наушники, используемые в соответствующих условиях, позволяют снизить риск получения травмы.

Эксплуатация

1. Выключите воздуходувку, снимите блок аккумулятора и убедитесь в том, что все движущиеся части остановились, в следующих случаях:
 - если вы оставляете воздуходувку без присмотра;
 - перед устранением засоров;
 - перед проверкой, очисткой или обслуживанием воздуходувки;
 - при появлении в воздуходувке ненормальной вибрации.
2. Используйте воздуходувку только в дневное время или при достаточном искусственном освещении.
3. Не старайтесь дотянуться до чего-либо и постоянно сохраняйте устойчивое положение.
4. Во время работы на склонах занимайте устойчивое положение.
5. Передвигайтесь шагом, не бегите.
6. Не допускайте засорения отверстия для притока охлаждающего воздуха.
7. Запрещено сдувать мусор в направлении людей.
8. Работайте с воздуходувкой только в рекомендованной позе и на ровной твердой поверхности.
9. Не используйте воздуходувку на участках, расположенных на высоте.
10. Не направляйте насадку работающей воздуходувки на близко стоящих людей.

11. Не закрывайте всасывающее и (или) выпускное отверстие воздуходувки.
 - Не допускайте засорения всасывающего или выпускного отверстия воздуходувки пылью или грязью во время работы на пыльных участках.
 - Используйте только насадки, предоставленные компанией Makita.
 - Не используйте воздуходувку для надувания мячей, резиновой лодки или аналогичных предметов.
12. Не используйте воздуходувку рядом с открытым окном и т. п.
13. Использовать воздуходувку рекомендуется исключительно в подходящее время – не рано утром или поздно вечером, когда это может потревожить людей.
14. Перед сдуванием рекомендуется воспользоваться граблями и веником для разрыхления мусора.
15. В случае удара воздуходувки о посторонний предмет или при появлении нехарактерного шума или вибрации немедленно прекратите работу. Перед повторным включением и продолжением работы снимите блок аккумулятора с воздуходувки и убедитесь в отсутствии на ней повреждений. Если воздуходувка повреждена, свяжитесь с авторизованным сервисным центром Makita для выполнения ремонта.
16. Не засовывайте пальцы или другие предметы во всасывающее или выпускное отверстие воздуходувки.
17. Не допускайте случайного запуска. Прежде чем поднимать или переносить воздуходувку или вставлять в нее блок аккумулятора, убедитесь в том, что переключатель находится в выключенном положении. Если при переноске воздуходувки палец пользователя находится на выключателе или питание подается на воздуходувку с включенным выключателем, это может привести к несчастному случаю.
18. Запрещено сдувать опасные материалы, такие как гвозди, осколки стекла или острые предметы.
19. Не используйте воздуходувку вблизи горючих материалов.
20. Избегайте эксплуатации воздуходувки в течение длительного времени в условиях низкой температуры.

Техническое обслуживание и хранение

1. Все гайки, болты и винты должны быть надежно затянуты – это обеспечит безопасность и работоспособность воздуходувки.
2. Если детали изношены или повреждены, замените их деталями, предоставленными компанией Makita.
3. Храните воздуходувку в безопасном месте, недоступном для детей.
4. Перед проверкой, обслуживанием, помещением воздуходувки на хранение или заменой на ней насадки отключите воздуходувку, убедитесь в том, что все движущиеся

- части полностью остановились, и извлеките блок аккумулятора. Перед выполнением каких-либо работ на воздуходувке дайте ей остыть. Обращайтесь с воздуходувкой осторожно и держите ее в чистоте.
5. Перед помещением на хранение полностью охладите воздуходувку.
6. Не подвергайте воздуходувку воздействию дождя. Храните воздуходувку в помещении.
7. При поднимании воздуходувки сгибайте колени и будьте осторожны, чтобы не повредить спину.

Эксплуатация и обслуживание электроинструмента, работающего на аккумуляторах

1. Заряжайте аккумулятор только зарядным устройством, указанным изготовителем. Зарядное устройство, подходящее для одного типа аккумуляторов, может привести к пожару при его использовании с другим аккумуляторным блоком.
2. Используйте электроинструмент только с указанными аккумуляторными блоками. Использование других аккумуляторных блоков может привести к травме или пожару.
3. Когда аккумуляторный блок не используется, храните его отдельно от металлических предметов, таких как скрепки, монеты, ключи, гвозди, шурупы или другие небольшие металлические предметы, которые могут привести к закорачиванию контактов аккумуляторного блока между собой. Короткое замыкание между контактами аккумуляторного блока может привести к ожогам или пожару.
4. При неправильном обращении из аккумуляторного блока может потечь жидкость. Избегайте контакта с ней. В случае контакта с кожей промойте место контакта обильным количеством воды. В случае попадания в глаза обратитесь к врачу. Жидкость из аккумулятора может вызвать раздражение или ожоги.
5. Не используйте поврежденные или модифицированные инструменты и аккумуляторные блоки. Поврежденные или модифицированные аккумуляторы могут работать некорректно, что может привести к пожару, взрыву или травмированию.
6. Не подвергайте аккумуляторный блок или инструмент воздействию огня или высокой температуры. Воздействие огня или температуры выше 130 °C может привести к взрыву.
7. Следуйте всем инструкциям по зарядке и не заряжайте аккумуляторный блок или инструмент при температурных условиях, выходящих за пределы диапазона, указанного в инструкции. Зарядка ненадлежащим образом или при температурных условиях, выходящих за пределы указанного диапазона, может привести к повреждению батареи и повысить риск пожара.

Электробезопасность

1. Не бросайте аккумуляторные блоки в огонь. Они могут взорваться. Уточните местные правила утилизации аккумуляторов.

2. Не вскрывайте и не разбирайте аккумулятор. Содержащийся в них электролит очень едкий, вы можете повредить глаза или кожу. При проглатывании это вещество может вызвать отравление.
3. Не заряжайте аккумулятор под дождем или в местах с повышенной влажностью.
4. Не заряжайте аккумулятор на улице.
5. Не касайтесь зарядного устройства, а также штекера и контактов зарядного устройства влажными руками.

Сервисное обслуживание

1. Сервисное обслуживание электроинструмента должно проводиться только квалифицированным специалистом по ремонту и только с использованием идентичных запасных частей. Это позволит обеспечить безопасность электроинструмента.
2. Запрещается обслуживать поврежденные аккумуляторные блоки. Обслуживание аккумуляторных блоков должен осуществлять только производитель или авторизованные поставщики услуг.

СОХРАНИТЕ ДАННЫЕ ИНСТРУКЦИИ.

▲ОСТОРОЖНО: НЕ ДОПУСКАЙТЕ, чтобы удобство или опыт эксплуатации данного устройства (полученный от многократного использования) доминировали над строгим соблюдением правил техники безопасности при обращении с этим устройством.

НЕПРАВИЛЬНОЕ ИСПОЛЬЗОВАНИЕ инструмента или несоблюдение правил техники безопасности, указанных в данном руководстве, может привести к тяжелой травме.

Важные правила техники безопасности для работы с аккумуляторным блоком

1. Перед использованием аккумуляторного блока прочитайте все инструкции и предупреждающие надписи на (1) зарядном устройстве, (2) аккумуляторном блоке и (3) инструменте, работающем от аккумуляторного блока.
2. Не разбирайте блок аккумулятора и не меняйте его конструкцию. Это может привести к пожару, перегреву или взрыву.
3. Если время работы аккумуляторного блока значительно сократилось, немедленно прекратите работу. В противном случае, может возникнуть перегрев блока, что приведет к ожогам и даже к взрыву.
4. В случае попадания электролита в глаза промойте их обильным количеством чистой воды и немедленно обратитесь к врачу. Это может привести к потере зрения.
5. Не замыкайте контакты аккумуляторного блока между собой:
 - (1) Не прикасайтесь к контактам

какими-либо токопроводящими предметами.

- (2) Не храните аккумуляторный блок в контейнере вместе с другими металлическими предметами, такими как гвозди, монеты и т. п.
 - (3) Не допускайте попадания на аккумуляторный блок воды или дождя.
- Замыкание контактов аккумуляторного блока между собой может привести к возникновению большого тока, перегреву, возможным ожогам и даже поломке блока.
6. Не храните и не используйте инструмент и аккумуляторный блок в местах, где температура может достигать или превышать 50 °C (122 °F).
 7. Не бросайте аккумуляторный блок в огонь, даже если он сильно поврежден или полностью вышел из строя. Аккумуляторный блок может взорваться под действием огня.
 8. Запрещено вбивать гвозди в блок аккумулятора, резать, ломать, бросать, ронять блок аккумулятора или ударять его твердым предметом. Это может привести к пожару, перегреву или взрыву.
 9. Не используйте поврежденный аккумуляторный блок.
 10. **Входящие в комплект литий-ионные аккумуляторы** должны эксплуатироваться в соответствии с требованиями законодательства об опасных товарах. При коммерческой транспортировке, например, третьей стороной или экспедитором, необходимо нанести на упаковку специальные предупреждения и маркировку. В процессе подготовки устройства к отправке обязательно проконсультируйтесь со специалистом по опасным материалам. Также соблюдайте местные требования и нормы. Они могут быть строже. Закройте или закрепите разомкнутые контакты и упакуйте аккумулятор так, чтобы он не перемещался по упаковке.
 11. Для утилизации блока аккумулятора извлеките его из инструмента и утилизируйте безопасным способом. Выполняйте требования местного законодательства по утилизации аккумуляторного блока.
 12. Используйте аккумуляторы только с продукцией, указанной Makita. Установка аккумуляторов на продукцию, не соответствующую требованиям, может привести к пожару, перегреву, взрыву или утечке электролита.
 13. Если инструментом не будут пользоваться в течение длительного периода времени, извлеките аккумулятор из инструмента.
 14. Во время и после использования блок аккумулятора может нагреваться, что может стать причиной ожогов или низкотемпературных ожогов. Будьте осторожны при обращении с горячим блоком аккумулятора.
 15. Не прикасайтесь к контактам инструмента сразу после использования, поскольку они могут быть достаточно горячими, чтобы вызвать ожоги.

16. Не допускайте налипания на контакты, отверстия и пазы блока аккумулятора опилок, пыли или земли. Это может стать причиной перегрева, возгорания, взрыва или неисправности инструмента или блока аккумулятора, что может привести к ожогам или травмам.
17. Если инструмент не рассчитан на использование вблизи высоковольтных линий электропередач, не используйте блок аккумулятора вблизи высоковольтных линий электропередач. Это может привести к неисправности, поломке инструмента или блока аккумулятора.
18. Храните аккумулятор в недоступном для детей месте.

СОХРАНИТЕ ДАННЫЕ ИНСТРУКЦИИ.

▲ВНИМАНИЕ: Используйте только фирменные аккумуляторные батареи Makita. Использование аккумуляторных батарей, не произведенных Makita, или батарей, которые были подвергнуты модификациям, может привести к взрыву аккумулятора, пожару, травмам и повреждению имущества. Это также автоматически аннулирует гарантию Makita на инструмент и зарядное устройство Makita.

Советы по обеспечению максимального срока службы аккумулятора

1. Заряжайте блок аккумуляторов перед его полной разрядкой. Обязательно прекратите работу с инструментом и зарядите блок аккумуляторов, если вы заметили снижение мощности инструмента.
2. Никогда не подзаряжайте полностью заряженный блок аккумуляторов. Перезарядка сокращает срок службы аккумулятора.
3. Заряжайте блок аккумуляторов при комнатной температуре в 10 - 40 °C (50 - 104 °F). Перед зарядкой горячего блока аккумулятора дайте ему остыть.
4. Если блок аккумулятора не используется, извлеките его из инструмента или зарядного устройства.
5. Зарядите ионно-литиевый аккумуляторный блок, если вы не будете пользоваться инструментом длительное время (более шести месяцев).

СБОРКА

▲ВНИМАНИЕ: Перед выполнением каких-либо работ с машиной отключите ее и извлеките блок аккумулятора.

Установка передней насадки

1. Ослабьте 2 винта шестигранным ключом и полностью извлеките винты.
► **Рис.1:** 1. Винт
2. Убедитесь в том, что логотип Makita на передней насадке направлен в указанную на рисунке сторону, и прикрепите переднюю насадку к машине.
► **Рис.2:** 1. Передняя насадку
3. Затяните винты шестигранным ключом.
► **Рис.3:** 1. Винт

Установка плоской насадки или удлиняющей насадки

Дополнительные принадлежности

1. Прикрепите трубу переходника к передней насадке, а затем поверните ее по часовой стрелке для фиксации.
► **Рис.4:** 1. Труба переходника 2. Передняя насадку
2. Прикрепите плоскую насадку или удлиняющую насадку к трубе переходника и поверните ее для фиксации.
► **Рис.5:** 1. Плоская насадку 2. Удлиняющая насадку 3. Труба переходника

Установка насадки для очистки желобов

Дополнительные принадлежности

Насадку для очистки желобов можно установить на воздуходук. Для установки насадки для очистки желобов требуется труба переходника, разработанная специально для этой модели. Подробную информацию см. в руководстве по эксплуатации к насадке для очистки желобов.

Установка насадка для выдувания воды

Дополнительные принадлежности

На воздуходук может устанавливаться насадка для выдувания воды. Подробную информацию см. в руководстве по эксплуатации к насадке для выдувания воды.

Присоединение плечевого ремня

Дополнительные принадлежности

ВНИМАНИЕ: Убедитесь в том, что крючки плечевого ремня надежно закреплены на машине. Если крючки закреплены не полностью, они могут соскочить и нанести травму.

ВНИМАНИЕ: Используйте только плечевой ремень, специально предназначенный для этого инструмента. Использование другого плечевого ремня может привести к травме.

ВНИМАНИЕ: При использовании машины совместно с ранцевым блоком питания, например с портативным блоком питания, не используйте плечевой ремень, идущий в комплекте с машиной.

Если одновременно надеть плечевой ремень, идущий в комплекте с машиной, и плечевой ремень ранцевого блока питания, то в чрезвычайной ситуации снять машину или ранцевый блок питания будет затруднительно, что может привести к несчастному случаю или травме.

Закрепите крючки плечевого ремня на машине, как показано на рисунке.

► Рис.6: 1. Крючок

Плечевой ремень также можно прикрепить к машине, как показано на рисунке, подсоединив один конец плечевого ремня к замку плечевого ремня.

► Рис.7: 1. Замок

ОПИСАНИЕ РАБОТЫ

ВНИМАНИЕ: Перед регулировкой или проверкой функций машины отключите ее и снимите блок аккумулятора.

Установка или снятие блока аккумулятора

ВНИМАНИЕ: Перед установкой и извлечением блока аккумулятора выключайте машину.

ВНИМАНИЕ: При установке и извлечении блока аккумулятора крепко удерживайте машину и блок аккумулятора. Если не удерживать машину и блок аккумулятора крепко, они могут выскользнуть из рук, что приведет к повреждению машины и блока аккумулятора, а также травмированию оператора.

ВНИМАНИЕ: Обязательно устанавливайте блок аккумулятора до конца, чтобы красный индикатор не был виден. В противном случае блок может выпасть из машины и нанести травму вам или другим людям.

ВНИМАНИЕ: Не прилагайте чрезмерных усилий при установке аккумуляторного блока. Если блок не двигается свободно, значит он вставлен неправильно.

► Рис.8: 1. Красный индикатор 2. Кнопка 3. Блок аккумулятора

Для снятия блока аккумулятора нажмите кнопку на его лицевой стороне и извлеките блок из устройства.

Для установки блока аккумулятора совместите выступ блока аккумулятора с пазом в корпусе и задвиньте его на место. Устанавливайте блок до упора так, чтобы он зафиксировался на месте с небольшим щелчком. Если вы можете видеть красный индикатор на верхней части клавиши, блок аккумулятора не полностью зафиксирован на месте.

Индикация оставшегося заряда аккумулятора

Только для блоков аккумулятора с индикатором

Нажмите кнопку проверки на аккумуляторном блоке для проверки заряда. Индикаторы загорятся на несколько секунд.

► Рис.9: 1. Индикаторы 2. Кнопка проверки

Индикаторы			Уровень заряда
Горит	Выкл.	Мигает	
■ ■ ■ ■			от 75 до 100%
■ ■ ■ □			от 50 до 75%
■ ■ □ □			от 25 до 50%
■ □ □ □			от 0 до 25%
▣ □ □ □			Зарядите аккумуляторную батарею.
■ ■ □ □			Возможно, аккумуляторная батарея неисправна.
□ □ ■ ■			

ПРИМЕЧАНИЕ: В зависимости от условий эксплуатации и температуры окружающего воздуха индикация может незначительно отличаться от фактического значения.

ПРИМЕЧАНИЕ: Первая (дальняя левая) индикаторная лампа будет мигать во время работы защитной системы аккумулятора.

Система защиты машины / аккумулятора

На машине предусмотрена система защиты машины / аккумулятора. Эта система автоматически отключает питание двигателя для продления срока службы машины и аккумулятора. Машина автоматически отключится в указанных далее случаях, влияющих на работу самой машины или аккумулятора.

Защита от перегрузки

Если из-за способа эксплуатации машина или аккумулятор потребляет очень большое количество тока, машина автоматически остановится без включения каких-либо индикаторов. В этом случае отключите машину и прекратите работу, из-за которой произошла перегрузка. Затем включите машину для перезапуска.

Защита от перегрева

При перегреве машины или аккумулятора происходит автоматическая остановка машины. В этом случае дайте машине и аккумулятору остыть перед повторным включением.

Защита от переразрядки

При недостаточной емкости аккумулятора машина автоматически останавливается. В этом случае следует извлечь аккумулятор из машины и зарядить его.

Действие выключателя

⚠ ОСТОРОЖНО: Перед установкой блока аккумулятора в машину убедитесь в том, что триггерный переключатель работает правильно и возвращается в положение OFF (ВЫКЛ.) при отпускании.

► **Рис.10:** 1. Триггерный переключатель

Для запуска машины достаточно нажать триггерный переключатель. Для повышения частоты вращения нажмите триггерный переключатель сильнее. Для остановки машины отпустите триггерный переключатель.

Функция круиз-контроля

Функция круиз-контроля позволяет оператору поддерживать постоянную частоту вращения без использования дроссельного регулятора. Для повышения частоты вращения переведите рычаг управления вперед. Для снижения частоты вращения переведите рычаг управления назад.

► **Рис.11:** 1. Рычаг управления

Функция предотвращения случайного запуска

Машина не запустится даже во время установки блока аккумулятора при нажатом триггерном переключателе. Для запуска машины сначала отпустите триггерный переключатель и верните рычаг управления в исходное положение, после чего нажмите триггерный переключатель.

ЭКСПЛУАТАЦИЯ

⚠ ВНИМАНИЕ: Не ставьте машину на землю, когда она включена. Песок или пыль могут попасть из всасывающего отверстия и стать причиной неисправности или травмы.

Крепко удерживайте машину рукой и выполняйте сдувание медленными движениями из стороны в сторону. При сдувании мусора вокруг здания, крупных камней или транспортного средства направляйте насадку в сторону от них. При сдувании мусора в углу начинайте с угла и переходите к открытому пространству.

► **Рис.12**

ОБСЛУЖИВАНИЕ

⚠ ВНИМАНИЕ: Перед проведением осмотра или технического обслуживания машины необходимо отключить ее и извлечь блок аккумулятора.

Для обеспечения БЕЗОПАСНОСТИ и НАДЕЖНОСТИ оборудования ремонт, любое другое техобслуживание или регулировку необходимо производить в уполномоченных сервис-центрах Makita или сервис-центрах предприятия с использованием только сменных частей производства Makita.

Очистка машины

Для очистки машины вытирайте пыль сухой тряпкой или тряпкой, смоченной мыльной водой и отжатой.

► **Рис.13**

ПРИМЕЧАНИЕ: Запрещается использовать бензин, растворители, спирт и другие подобные жидкости. Это может привести к обесцвечиванию, деформации и трещинам.

Удалите пыль или грязь из всасывающего отверстия в задней части машины.

► **Рис.14:** 1. Всасывающее отверстие

Хранение

Отверстие с крючком в нижней части машины предназначено для подвешивания машины на гвоздь или шуруп в стене. Храните машину в недоступном для детей месте, не подвергайте ее воздействию влаги и дождя.

► **Рис.15:** 1. Отверстие

ПОИСК И УСТРАНЕНИЕ НЕИСПРАВНОСТЕЙ

Прежде чем обращаться по поводу ремонта, проведите осмотр самостоятельно. Если обнаружена неисправность, не указанная в руководстве, не пытайтесь разобрать инструмент. Обратитесь в один из авторизованных сервисных центров Makita, в которых для ремонта используются только оригинальные детали Makita.

Состояние неисправности	Возможная причина (неисправности)	Способ устранения
Не работает электромотор.	Не вставлен блок аккумулятора.	Установите блок аккумулятора.
	Неисправен аккумулятор (под напряжением)	Зарядите аккумулятор. Если перезарядка не помогает, замените аккумулятор.
	Привод работает неправильно.	Обратитесь в местный авторизованный центр для ремонта.
После непродолжительного использования двигатель останавливается.	Низкий уровень заряда аккумулятора.	Зарядите аккумулятор. Если перезарядка не помогает, замените аккумулятор.
	Перегрев.	Прекратите работу и дайте машине остыть.
Машина не достигает максимальной скорости работы.	Неправильно установлен аккумулятор.	Вставьте блок аккумулятора, как описано в этом руководстве.
	Заряд аккумулятора падает.	Зарядите аккумулятор. Если перезарядка не помогает, замените аккумулятор.
	Привод работает неправильно.	Обратитесь в местный авторизованный центр для ремонта.
Сильная вибрация: ⇒ немедленно выключите машину!	Привод работает неправильно.	Обратитесь в местный авторизованный центр для ремонта.
Двигатель не останавливается. ⇒ Немедленно извлеките аккумулятор!	Электрическая или электронная неисправность.	Извлеките аккумулятор и обратитесь в местный авторизованный сервисный центр для ремонта.

ДОПОЛНИТЕЛЬНЫЕ ПРИНАДЛЕЖНОСТИ

▲ВНИМАНИЕ: Эти принадлежности или насадки рекомендуются для использования с устройством Makita, указанным в этом руководстве. Использование других принадлежностей или насадок может привести к травме. Используйте принадлежность или насадку только по назначению.

Если вам необходимо содействие в получении дополнительной информации по этим принадлежностям, свяжитесь с вашим сервис-центром Makita.

- Труба переходника
- Удлиняющая насадка
- Плоская насадка
- Насадка для очистки желобов
- Насадка для выдувания воды
- Плечевой ремень
- Оригинальный аккумулятор и зарядное устройство Makita

ПРИМЕЧАНИЕ: Некоторые элементы из списка могут входить в комплект машины в качестве стандартных принадлежностей. Они могут различаться в зависимости от страны.

Makita Europe N.V.

Jan-Baptist Vinkstraat 2, 3070 Kortenberg, Belgium

Makita Corporation

3-11-8, Sumiyoshi-cho, Anjo, Aichi 446-8502 Japan

www.makita.com



885733D981
EN, SV, NO, FI, DA,
LV, LT, ET, RU
20240528