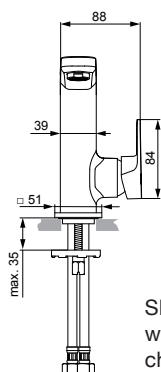
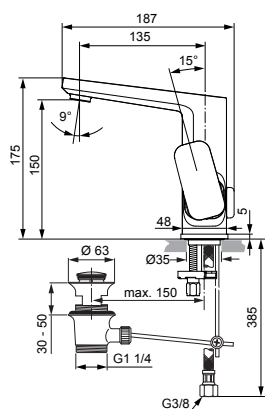
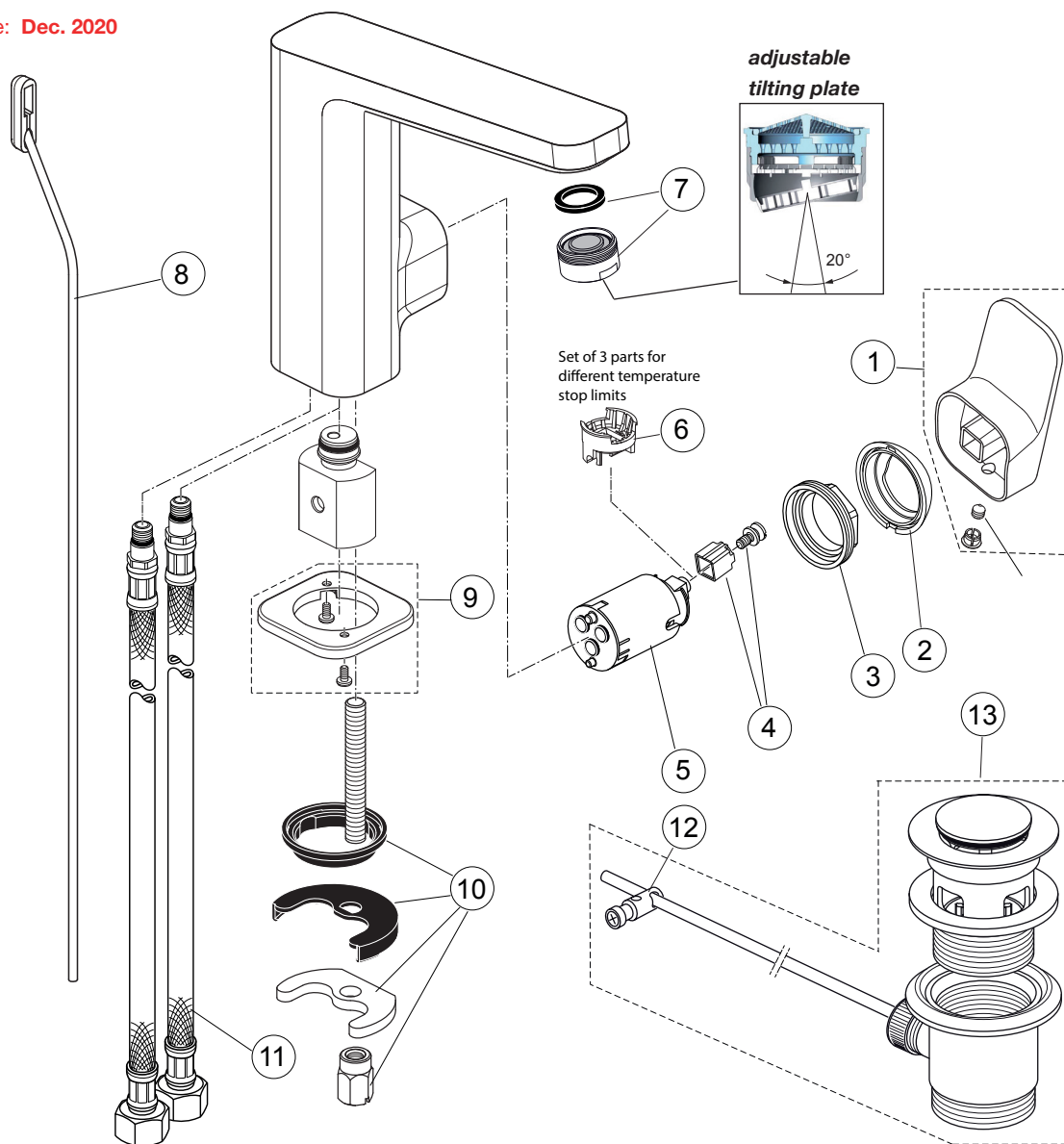




# Tonic II A6332.. A6333..

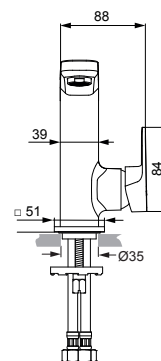
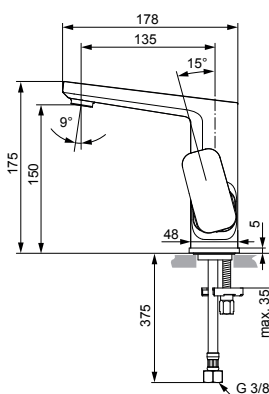
Ideal Standard

Produced since: Dec. 2020



SL basin mixer flex. hose with pop-up waste chrome **A6332AA**

SL basin mixer flex. hose without pop-up waste chrome **A6333AA**

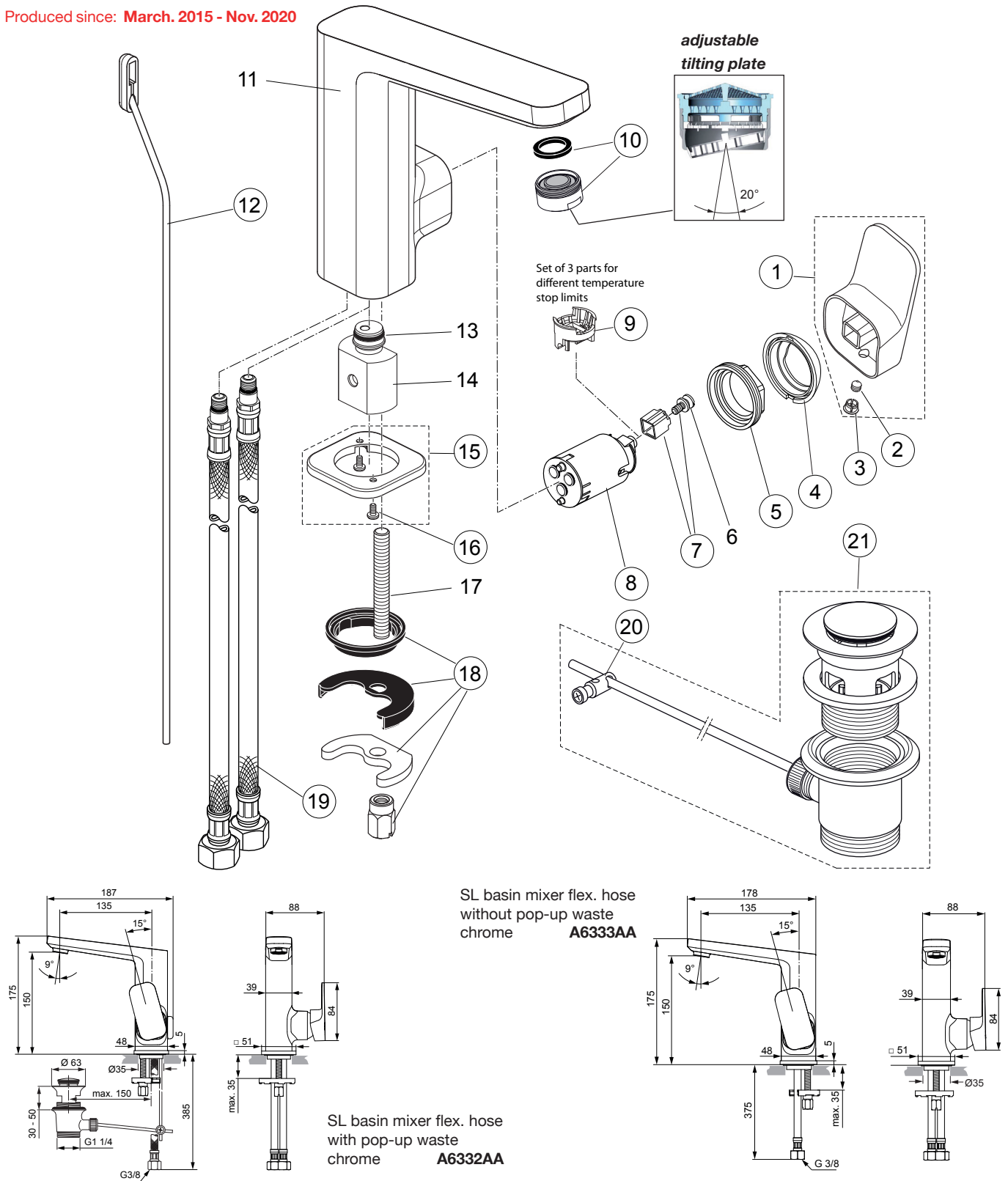


| Pos. | Description                 | Part-Number          | Qty.  | Pos.   | Description              | Part-Number         | Qty.  |
|------|-----------------------------|----------------------|-------|--|--------------------------|---------------------|-------|
| 1    | Lever cpl. with Logo ISI    | <b>A 860 894 AA</b>  | 1 Set | 11   | Flex. hose M8x1-G3/8-420 | <b>A 962 370 NU</b> | 1 pcs |
| 2    | Cover cap                   | <b>F 960 975 AA</b>  | 1 pcs | 12   | Bracket                  | <b>A 961 172 NU</b> | 1 pcs |
| 3    | Clamping nut M36 x 1        | <b>B 961 087 NU</b>  | 1 pcs | 13   | Pop-up waste complete    | <b>A 961 230 AA</b> | 1 Set |
| 4    | Handle insert + screw       | <b>B 961 086 NU</b>  | 1 Set | <i>*Universal set (not all parts needed)</i> |                          |                     |       |
| 5    | Cartridge Kerox Ø28 + Pos 4 | <b>F 960 855 NU</b>  | 1 Set |  |                          |                     |       |
| 6    | Hot water limiter - 3 parts | <b>B 961 088 NU</b>  | 1 Set |  |                          |                     |       |
| 7    | Aerator M24x1 - 5ltr/min    | <b>F 960 876 AA</b>  | 1 pcs |  |                          |                     |       |
| 8    | Lift rod complete           | <b>A 960 654 AA</b>  | 1 Set |  |                          |                     |       |
| 9    | Escutcheon + screws         | <b>A 860 893 AA</b>  | 1 Set |  |                          |                     |       |
| 10   | Fixation kit                | <b>A 964 520 NU*</b> | 1 Set |  |                          |                     |       |

# Tonic II A6332.. A6333..



Produced since: **March. 2015 - Nov. 2020**



| Pos. | Description                 | Part-Number         | Qty.  | Pos. | Description              | Part-Number          | Qty.  |
|------|-----------------------------|---------------------|-------|------|--------------------------|----------------------|-------|
| 1    | Lever cpl. with Logo ISI    | <b>A 860 894 AA</b> | 1 Set | 12   | Lift rod complete        | <b>A 960 654 AA</b>  | 1 Set |
| 2    | Thread pin M5x6 DIN914      | <b>A 860 603 NU</b> | 1 pcs | 13   | O - Ring Ø 12,42 x 1,78  |                      |       |
| 3    | Handle cap                  | <b>A 960 396 AA</b> | 1 pcs | 14   | Manifold                 |                      |       |
| 4    | Cover cap                   | <b>F 960 975 AA</b> | 1 pcs | 15   | Escutcheon + screws      | <b>A 860 893 AA</b>  | 1 Set |
| 5    | Clamping nut M36 x 1        | <b>B 961 087 NU</b> | 1 pcs | 16   | Srew M3 x 6 Din 85       | <b>A 960 342 NU*</b> | 1 Set |
| 6    | Handle srew M4              |                     |       | 17   | Bolt M8x63               |                      |       |
| 7    | Handle insert + screw       | <b>B 961 086 NU</b> | 1 Set | 18   | Fixation kit             | <b>A 964 520 NU*</b> | 1 Set |
| 8    | Cartridge Kerox Ø28 + Pos 6 | <b>F 960 855 NU</b> | 1 Set | 19   | Flex. hose M8x1-G3/8-420 | <b>A 962 370 NU</b>  | 1 pcs |
| 9    | Hot water limiter - 3 parts | <b>B 961 088 NU</b> | 1 Set | 20   | Bracket                  | <b>A 961 172 NU</b>  | 1 pcs |
| 10   | Aerator M24x1 - 5ltr/min    | <b>F 960 876 AA</b> | 1 pcs | 21   | Pop-up waste complete    | <b>A 961 230 AA</b>  | 1 Set |
| 11   | Body                        |                     |       |      |                          |                      |       |

\*Universal set (not all parts needed)